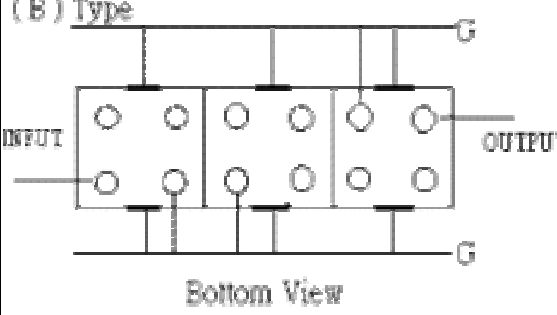
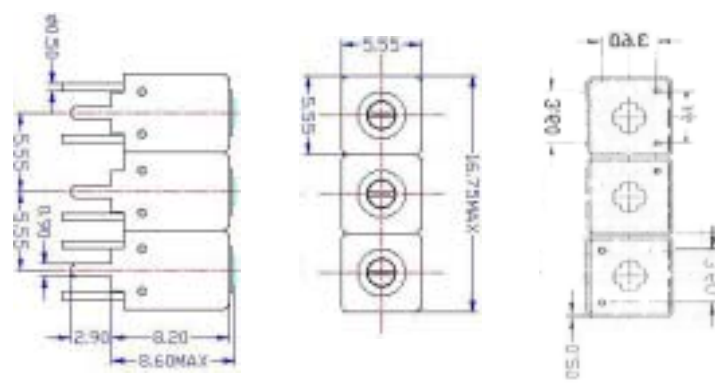


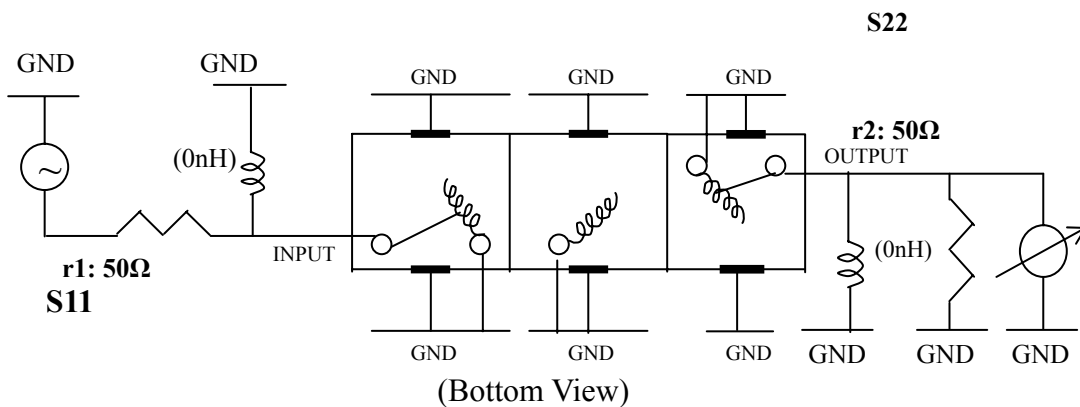
VHF UHF Helical Filter Specification Sheet

Customer Name		Temwell's Part No.	TTW3841B-2500M
Approval No. /dated	0603076APR	Customer Print Name	
Work Instruction No.	0603076DC	Date	Mar.30.2006

<p>(1) Pin Position</p> <p>(B) Type</p>  <p style="text-align: center;">Bottom View</p>	<p>(2) Size Diagram</p> 
---	--

(3) Electric Character		Item	Specify
		Center Freq. (Fo) +/- 0.5 %	2500 MHz
		Tunable Range:	2500±5 MHz
		Insertion Loss	Typ. 3.0 dB
		-3 dB Bandwidth	Typ. 183 MHz
Sensitivity (Attenuation)	Fo - 300 MHz	Typ. 33 dBc	
	Fo + 300 MHz	Typ. 20 dBc	
	Fo - ()MHz	Typ. dBc	
	Fo +()MHz	Typ. dBc	
		Return Loss	Min. 12 dB
		Ripple	< 1 dB
		Impedance	In / Out: 50 Ω
(4) Torque for Tuning Screw		> 60gf cm	
(5) Temperature Condition:			
		Operating Temperature	0 ~ +60
		Storage Temperature	-20 ~ +70
(6) Input Power		> 0.5Watt	

(7) Measuring Circuit: Easy to match Impedance S11/S22 50Ω by parallel with about(0nH) / (0nH).



Approval	Supervisor	Designer	Aperture size
C.Y. Chang	C.S. Chang	C.S. Chang	5W3S(3.8*5.1)(5.12) 5HW046RB3.2

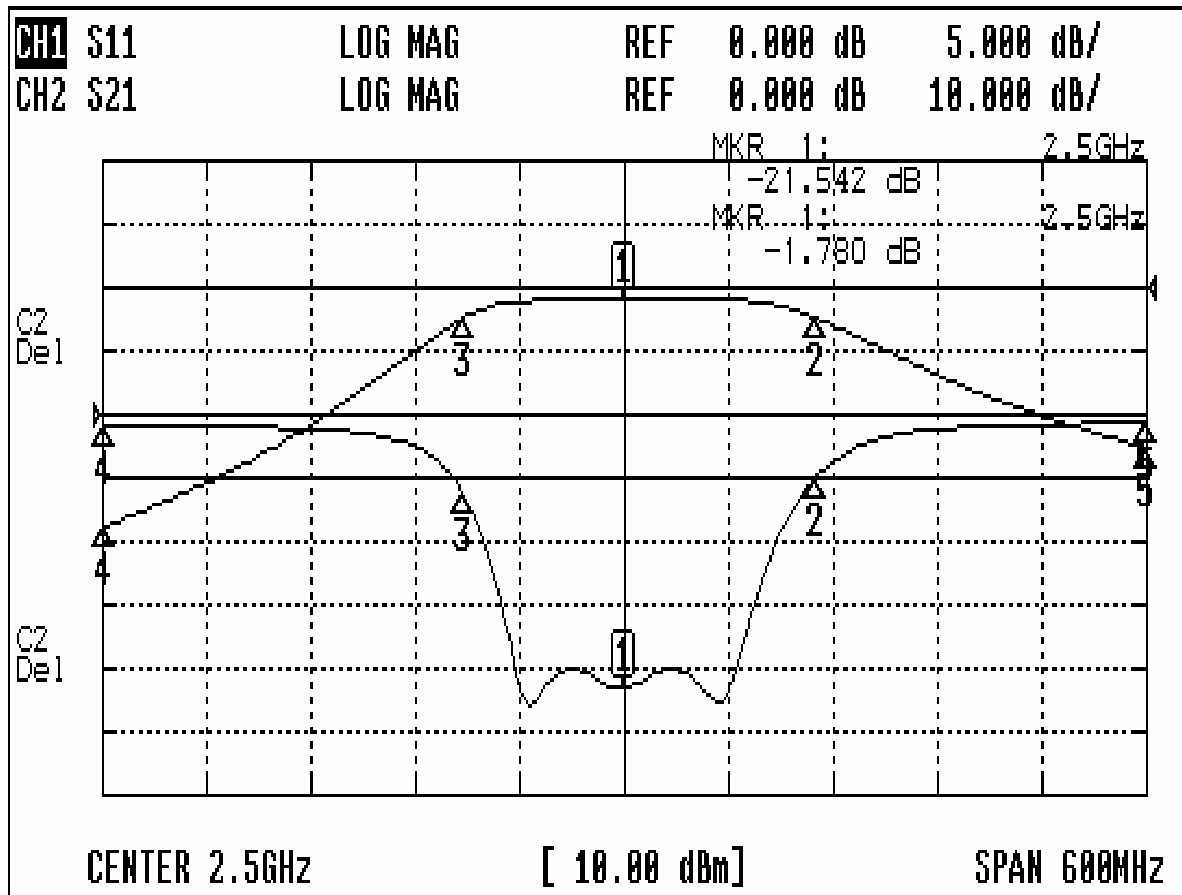
TEMWELL CORPORATION

TEMWELL

Form BP: C.S. Chang

Performance-TTW3841B-2500M

0603076DC



CH1 MARKER LIST

1:	2.500 000GHz	-21.542 dB
2:	2.610 500GHz	-4.911 dB
3:	2.407 000GHz	-6.053 dB
4:	2.200 000GHz	-0.767 dB
5:	2.800 000GHz	-0.691 dB
6:		
7:		
8:		
9:		
10:		

CH2 MARKER LIST

1:	2.500 000GHz	-1.780 dB
2:	2.610 500GHz	-4.697 dB
3:	2.407 000GHz	-4.736 dB
4:	2.200 000GHz	-37.708 dB
5:	2.800 000GHz	-25.093 dB
6:		
7:		
8:		
9:		
10:		