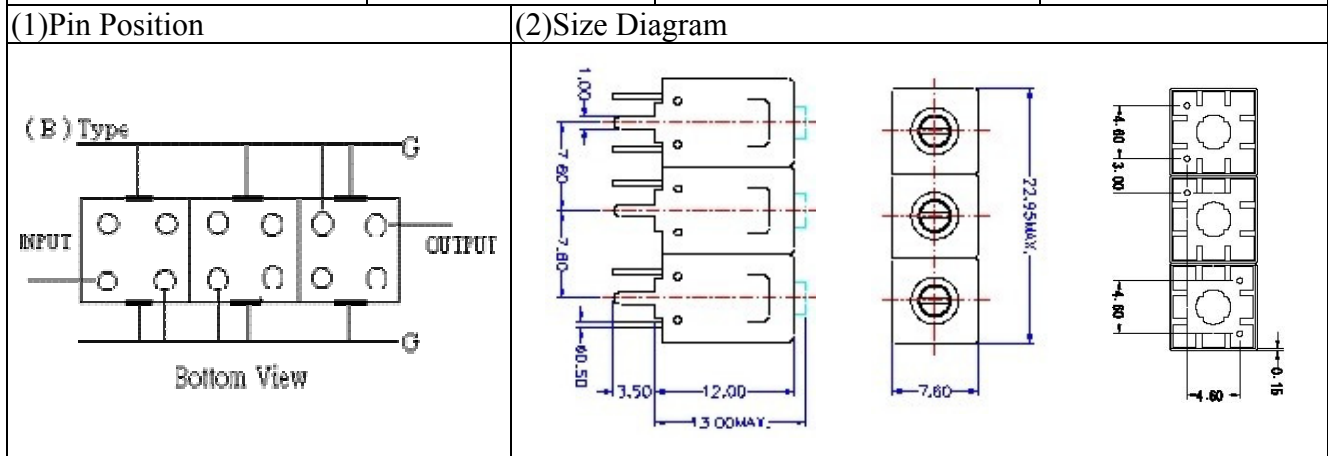
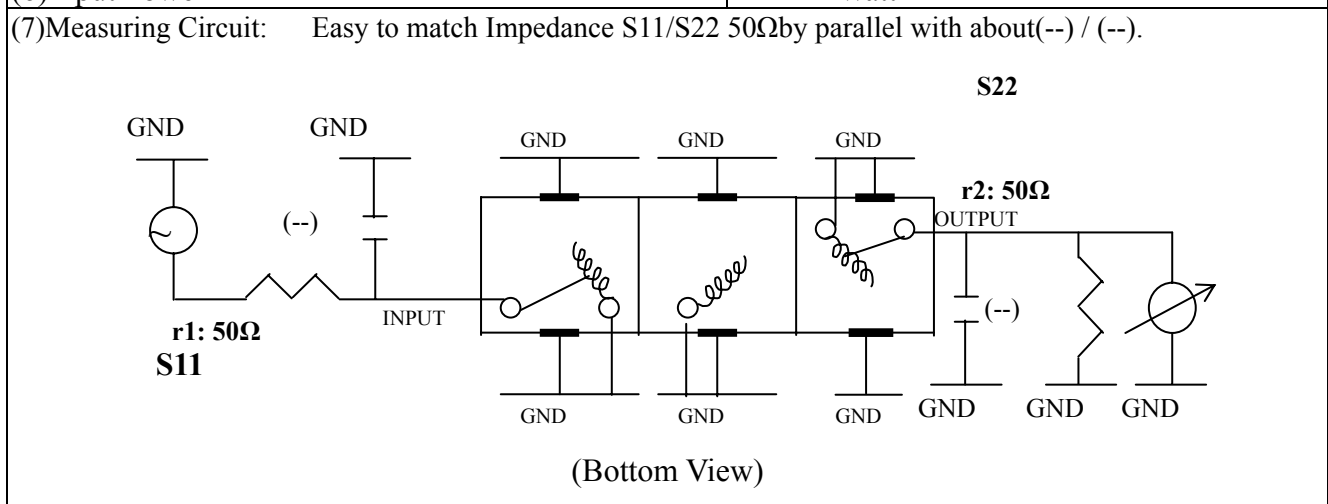


VHF UHF Helical Filter Specification Sheet

Customer Name		Temwell's Part No.	TT67869B-350M
Approval No. /dated		Temwell's Print name.	67869B 350M
Work Instruction No.	201004063C	Date	Dec.17.2010



(3) Electric Charasteric	
Item	Specify
Center Freq.(Fo) +/- 0.5 %	350 MHz
Insertion Loss	Typ. 1.5 dB
-3 dB Bandwidth	Typ. 90 MHz
Sensitivity (Attenuation)	Fo - (150) MHz Typ. 49 dBc
	Fo + (150) MHz Typ. 20 dBc
	Fo - () MHz Typ. dBc
	Fo + () MHz Typ. dBc
Return Loss	Min. 12 dB
Ripple	< 1 dB
Impedance	In / Out : 50 Ω
(4) Torque for Tuning Screw	> 60gf cm
(5) Temperature Condition:	
Operating Temperature	0 ~ +60
Storage Temperature	-20 ~ +70
(6) Input Power	> 1Watt



Approval C.Y.Chang	Supervisor C.K.Chang	Designer Y.H.Yeh	Aperture size 7H3S(4*8.0)(8.04) 7H046RB6.5(LBW)
TEMWELL CORPORATION			

Performance-TT67869B-350M

201004063C

