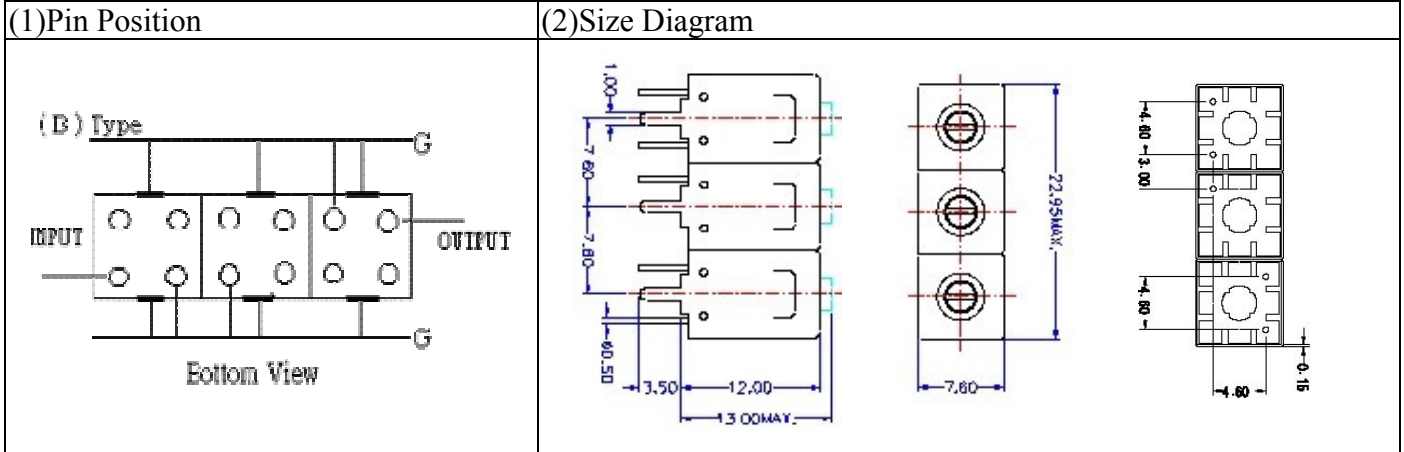


VHF UHF Helical Filter Specification Sheet

Customer Name		Temwell's Part No.	TT67864B-1075M
Approval No. /dated		Temwell's Print name	67864B 1075M
Work Instruction No.	201504047C	Date	May.29.2015



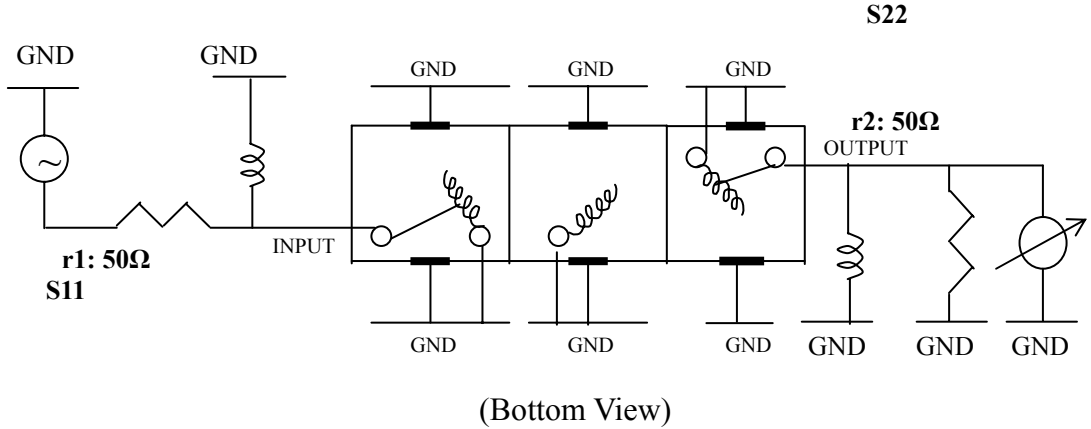
(3) Electric Characteristic		Item	Specify
Center Freq.(Fo) +/- 0.5 %			1075 MHz
Insertion Loss		Typ.	2.5 dB
-3 dB Bandwidth		Typ.	120 MHz
Sensitivity (Attenuation)	Fo - 300 MHz	Typ.	50 dBc
	Fo + 300 MHz	Typ.	20 dBc
	Fo - ()MHz	Typ.	dBc
	Fo +()MHz	Typ.	dBc
Return Loss		Min.	12 dB
Ripple			< 1 dB
Impedance			In / Out : 50 Ω

(4) Torque for Tuning Screw > 100gf · cm

(5) Temperature Condition:	
Operating Temperature	0°C ~ +60°C
Storage Temperature	-20°C ~ +70°C

(6) Input Power > 1Watt

(7) Measuring Circuit: ※Easy to match Impedance S11/S22 50Ω by parallel with about(--) / (--).



Approval C.Y.Chang	Supervisor C.K.Chang	Designer C.S.Chang	Aperture size 7H3S(4*7.5)(7.56) 7H046RB6.5
-----------------------	-------------------------	-----------------------	--

TEMWELL CORPORATION

Performance-TT67864B-1075M

201504047C

Tr1 S11 Log Mag 5.000dB/ Ref 0.000dB [F2]
Tr2 S21 Log Mag 10.00dB/ Ref 0.000dB [F2]

