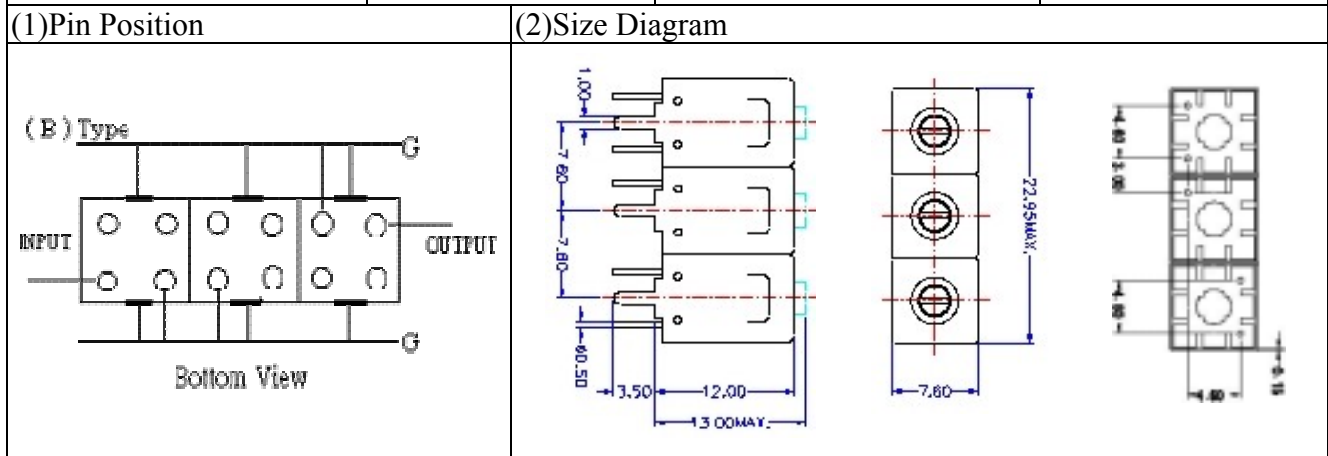
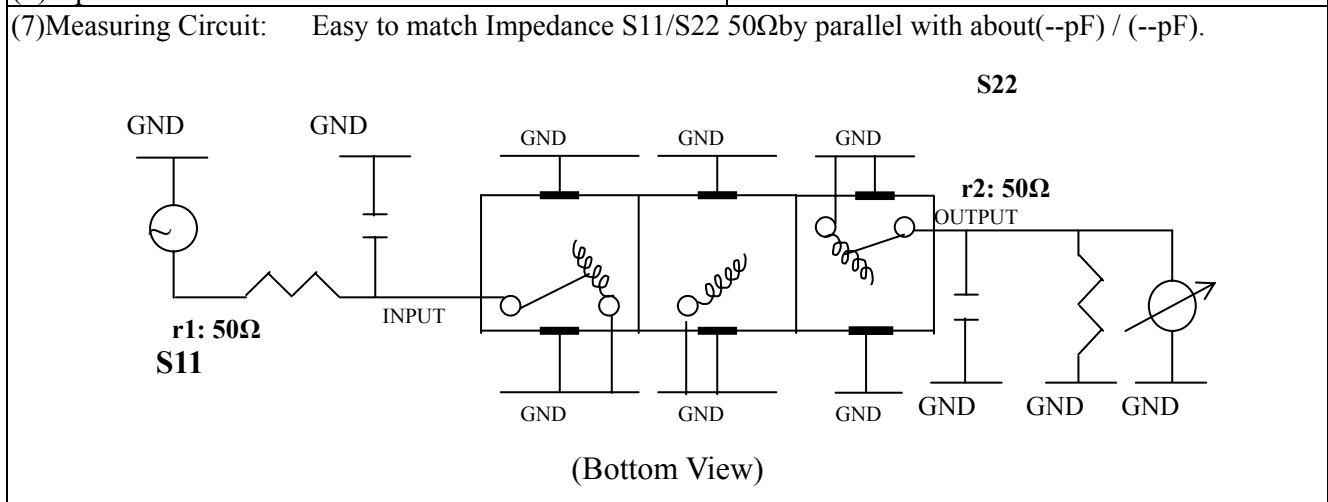


VHF UHF Helical Filter Specification Sheet

Customer Name		Temwell's Part No.	TT63348B-375M
Approval No. /dated	200910043CD	Temwell's Print name.	63348B 375M
Work Instruction No.	201004064C	Date	Jan.17.2011



(3) Electric Charasteric		
Item	Specify	
Center Freq.(Fo) +/- 0.5 %	375 MHz	
Insertion Loss	Typ. 1.5 dB	
-3 dB Bandwidth	Typ. 100 MHz	
Sensitivity (Attenuation)	Fo - (150) MHz	Typ. 50 dBc
	Fo + (150) MHz	Typ. 21 dBc
	Fo - () MHz	Typ. dBc
	Fo + () MHz	Typ. dBc
Return Loss	Min. 12 dB	
Ripple	< 1 dB	
Impedance	In / Out : 50 Ω	
(4) Torque for Tuning Screw	> 60gf cm	
(5) Temperature Condition:		
Operating Temperature	0 ~ +60	
Storage Temperature	-20 ~ +70	
(6) Input Power	> 1Watt	



Approval C.Y.Chang	Supervisor C.K.Chang	Designer C.S.Chang	Aperture size 7H3S(4*8.0)(8.02) 7H046RB6.5
-----------------------	-------------------------	-----------------------	--

TEMWELL CORPORATION

Performance-TT63348B-375M

201004064C

