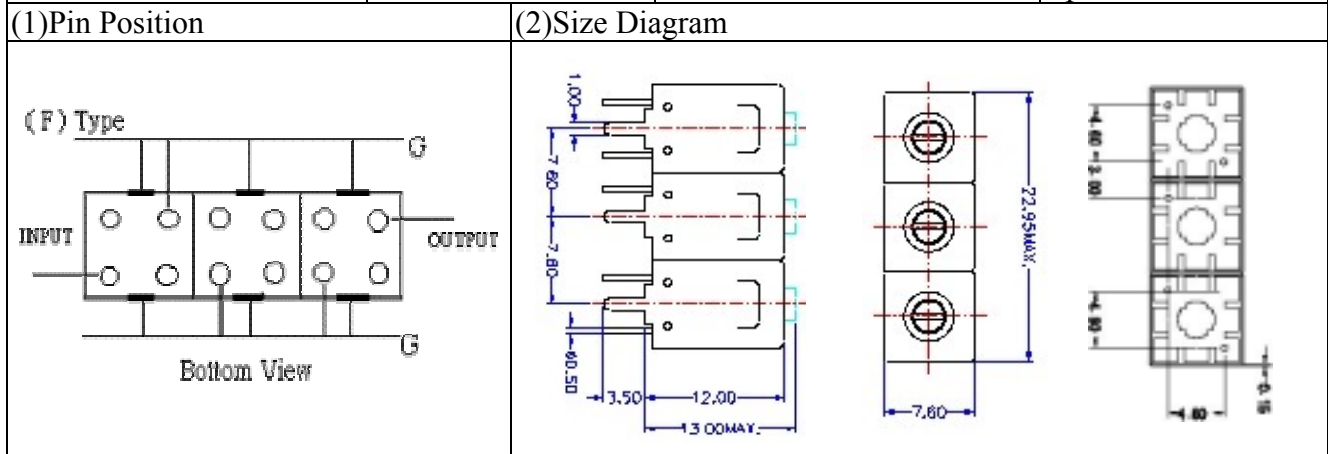


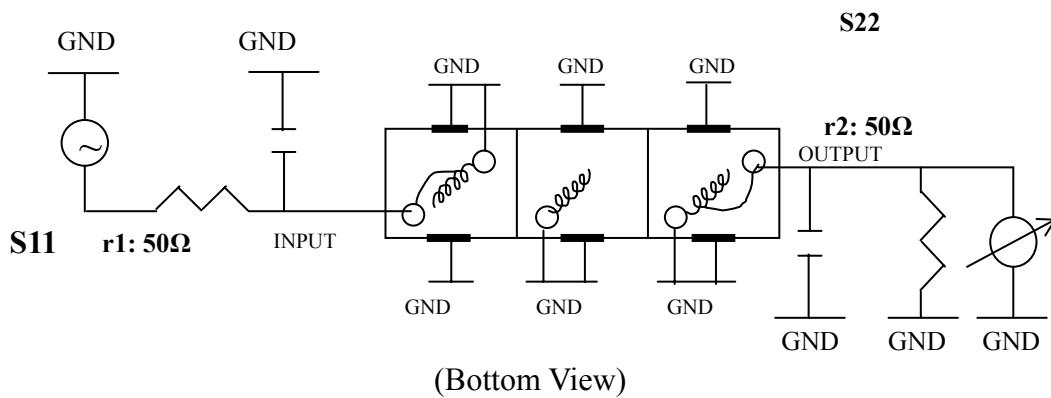
VHF UHF Helical Filter Specification Sheet

Customer Name		Temwell's Part No.	TT63335F-480M
Approval No. /dated		Temwell's print name	63335F 480M
Work Instruction No.	201004066C	Date	Apr.07.2011



(3) Electric Charasteric	
Item	Specify
Center Freq.(Fo) +/- 0.5 %	480 MHz
Insertion Loss	Typ. 1.5 dB
-3 dB Bandwidth	Typ. 120 MHz
Sensitivity (Attenuation)	Fo - 200 MHz Typ. 55 dBc
	Fo + 200 MHz Typ. 25 dBc
	Fo - ()MHz Typ. dBc
	Fo +()MHz Typ. dBc
Return Loss	Min. 12 dB
Ripple	< 1 dB
Impedance	In / Out : 50 Ω
(4) Torque for Tuning Screw	> 60gf cm
(5) Temperature Condition:	
Operating Temperature	0 ~ +60
Storage Temperature	-20 ~ +70
(6) Input Power	> 1Watt

(7) Measuring Circuit: Easy to match Impedance S11/S22 50Ω by parallel with about(--) / (--).



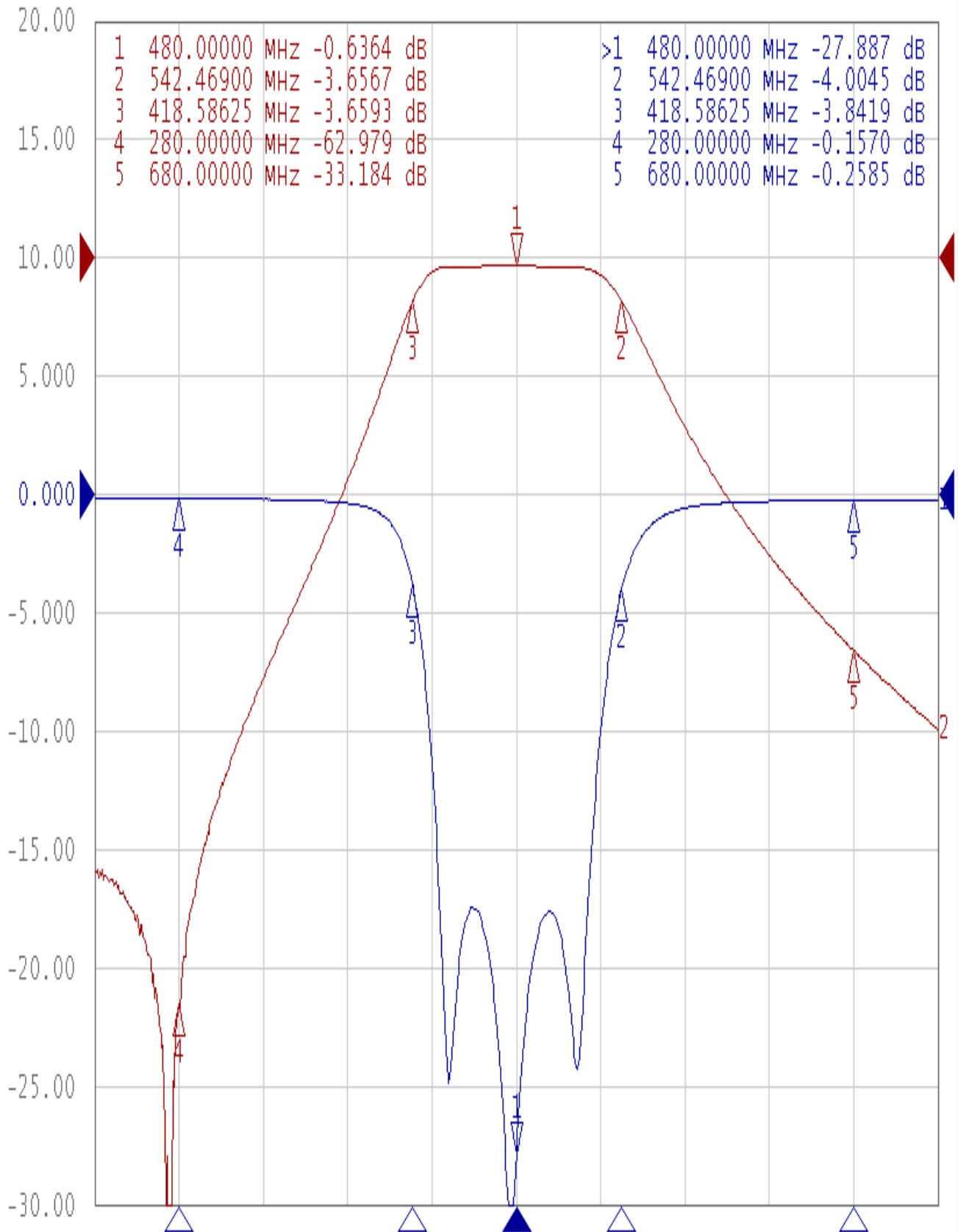
Approval C.Y.Chang	Supervisor C.K.Chang	Designer C.S.Chang	Aperture size 7H3S(4*8.0)(8.02) 7H046RB6.5
-----------------------	-------------------------	-----------------------	--

TEMWELL CORPORATION

Performance-TT63335F-480M

201004066C

Tr1 S11 Log Mag 5.000dB/ Ref 0.000dB [F2]
Tr2 S21 Log Mag 10.00dB/ Ref 0.000dB [F2]



1 Center 480 MHz

IFBW 10 kHz

Span 500 MHz Cor !