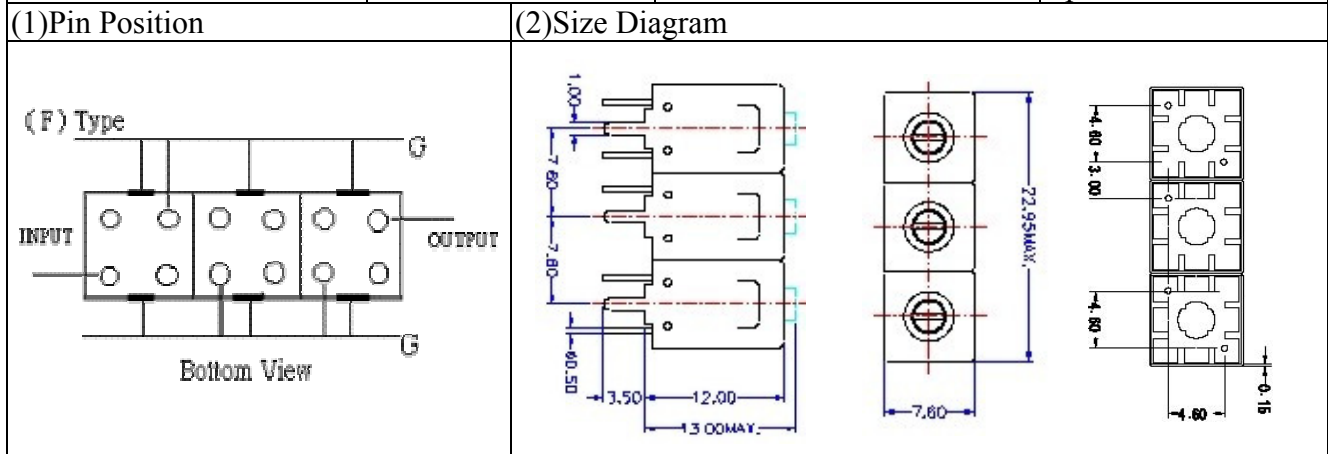
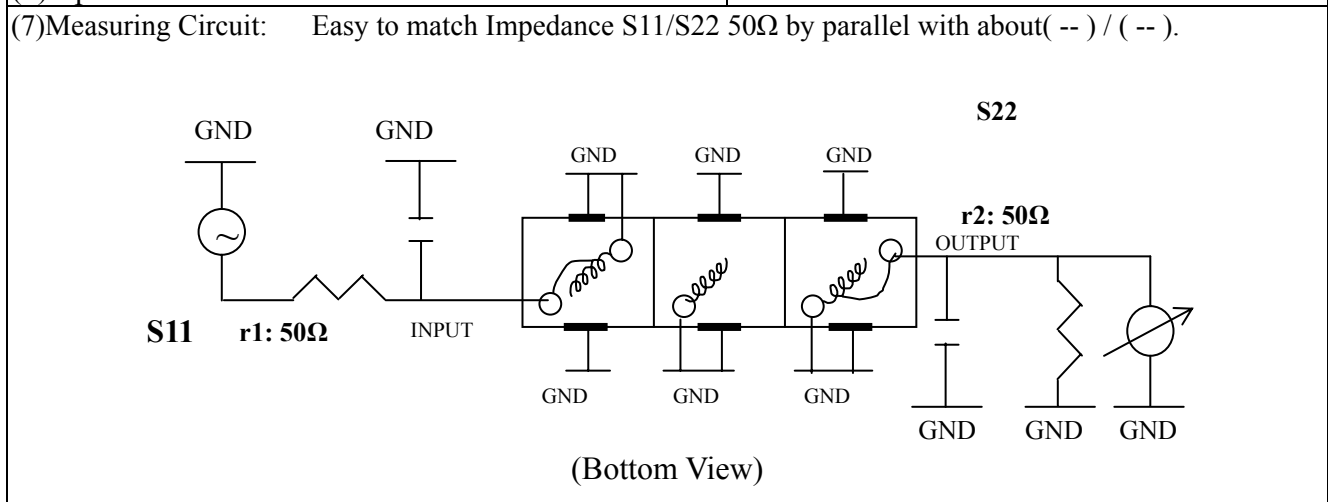


VHF UHF Helical Filter Specification Sheet

Customer Name		Temwell's Part No.	TT63333F-666M
Approval No. /dated	201004085CD	Temwell's print name	63333F 666M
Work Instruction No.	201004085CD	Date	Apr.11.2011



(3) Electric Charasteric		Item	Specify
Center Freq.(Fo) +/- 0.5 %			666 MHz
Insertion Loss		Typ.	2.0 dB
-3 dB Bandwidth		Typ.	135 MHz
Sensitivity (Attenuation)	Fo - 126 MHz	Typ.	18 dBc
	Fo + 126 MHz	Typ.	16 dBc
	Fo - ()MHz	Typ.	dBc
	Fo +()MHz	Typ.	dBc
Return Loss		Min.	12 dB
Ripple			< 1 dB
Impedance			In / Out : 50 Ω
(4) Torque for Tuning Screw			> 60gf cm
(5) Temperature Condition:			
Operating Temperature			0 ~ +60
Storage Temperature			-20 ~ +70
(6) Input Power			> 1Watt



Approval C.Y.Chang	Supervisor C.K.Chang	Designer C.S.Chang	Aperture size 7H3S(4*7.5)(7.59) 7H046RB6.5
-----------------------	-------------------------	-----------------------	--

TEMWELL CORPORATION

Performance-TT63333F-666M

201004085CD

