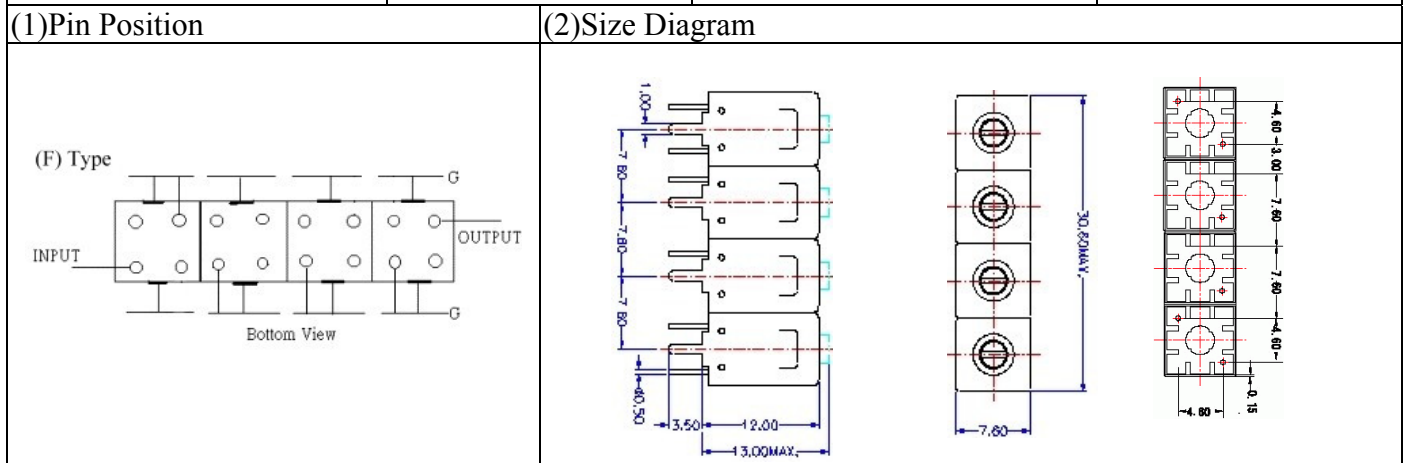


VHF UHF Helical Filter Specification Sheet

Customer Name		Temwell's Part No.	TF64387F-900M
Approval No. /dated		Temwell's Print name	64387F 900M
Work Instruction No.	201504066C	Date	Jun.02.2015



(3) Electric Characteristic

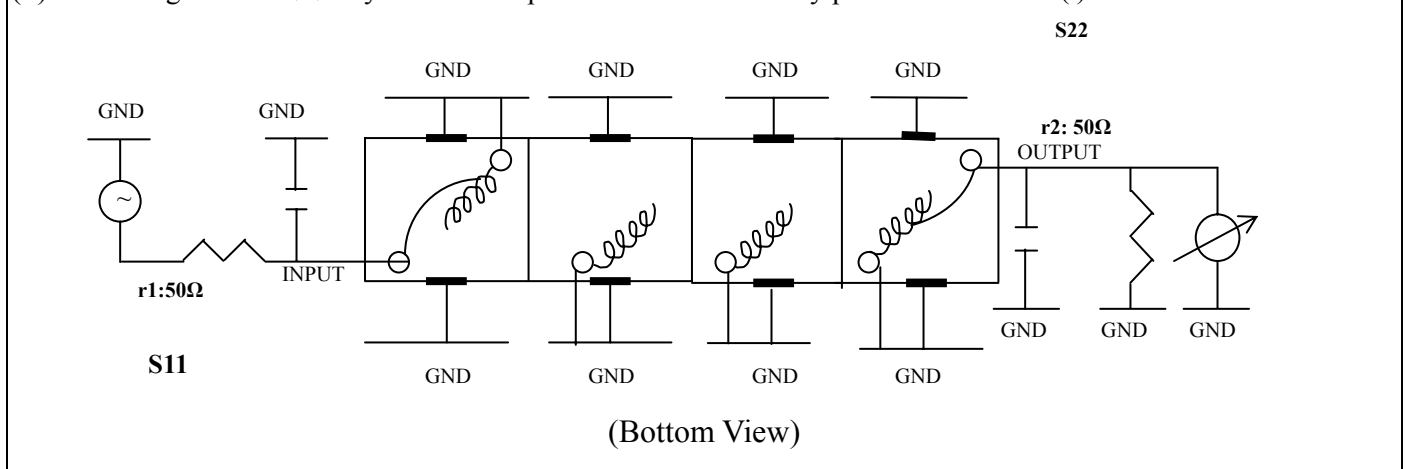
Item	Specify	
Center Freq.(Fo) +/- 0.5 %	900	MHz
Insertion Loss	Typ. 2.0	dB
-3 dB Bandwidth	Typ. 130	MHz
Sensitivity (Attenuation)	Fo - (200) MHz	Typ. 50 dBc
	Fo + (200) MHz	Typ. 37 dBc
	Fo - () MHz	Typ. dBc
	Fo + () MHz	Typ. dBc
Return Loss	Min. 12	dB
Ripple	< 1	dB
Impedance	In / Out : 50 Ω	
(4) Torque for Tuning Screw	> 60gf · cm	

(5) Temperature Condition:

Operating Temperature	0°C ~ +60°C
Storage Temperature	-20°C ~ +70°C

(6) Input Power

(7) Measuring Circuit: ※Easy to match Impedance S11/S22 50Ω by parallel with about ()



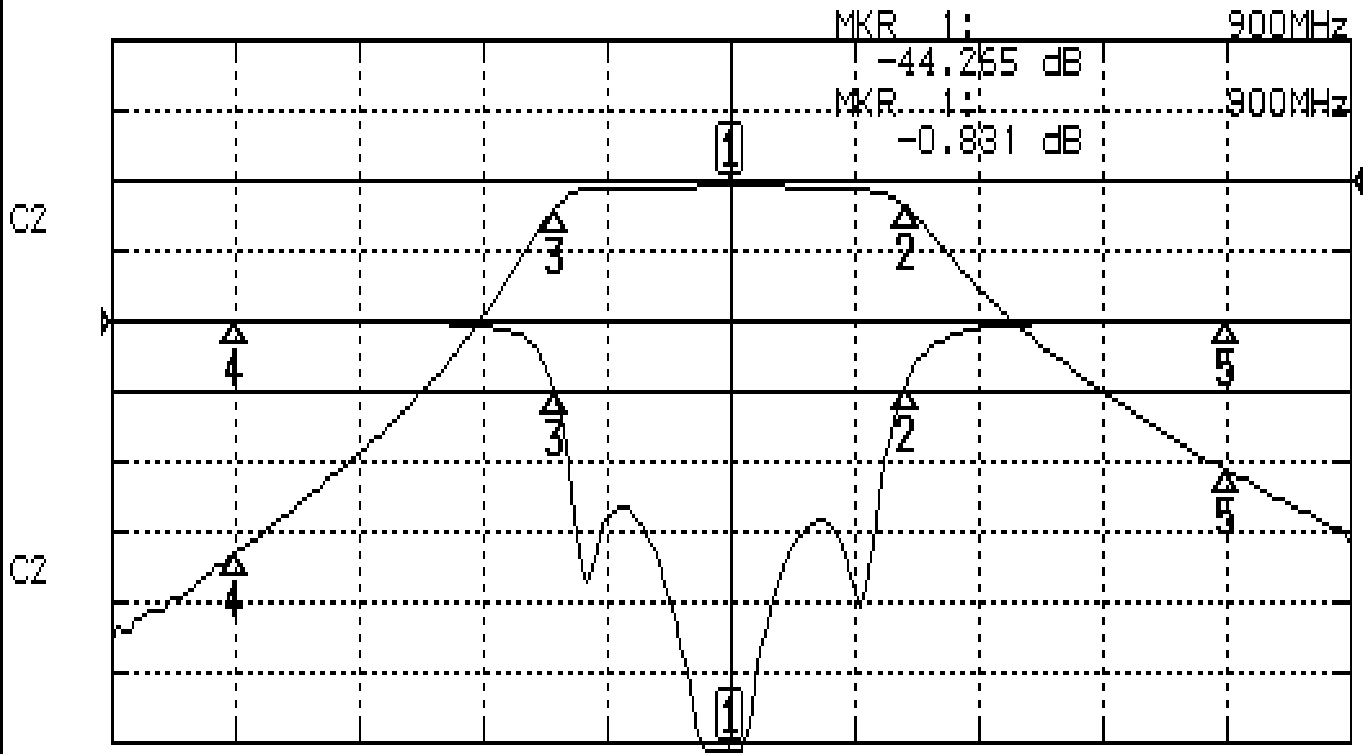
Approval	Supervisor	Designer	Aperture size
C.Y.Chang	C.K.Chang	C.H.Yeh	7H4S(4*8.0)(8.01) 7H046RB6.5

TEMWELL CORPORATION

Performance-TF64387F-900M

201504066C

CH1 S11 LOG MAG REF 0.000 dB 5.000 dB/
CH2 S21 LOG MAG REF 0.000 dB 10.000 dB/



CENTER 900MHz

[10.00 dBm]

SPAN 500MHz

CH1 MARKER LIST

1:	900.000MHz	-44.265	dB
2:	970.833MHz	-4.552	dB
3:	829.166MHz	-5.034	dB
4:	700.000MHz	0.061	dB
5:	1.100 000GHz	0.094	dB
6:			
7:			
8:			
9:			
10:			

CH2 MARKER LIST

1:	900.000MHz	-0.831	dB
2:	970.833MHz	-10.033	dB
3:	829.166MHz	-10.046	dB
4:	700.000MHz	-53.040	dB
5:	1.100 000GHz	-41.185	dB
6:			
7:			
8:			
9:			
10:			