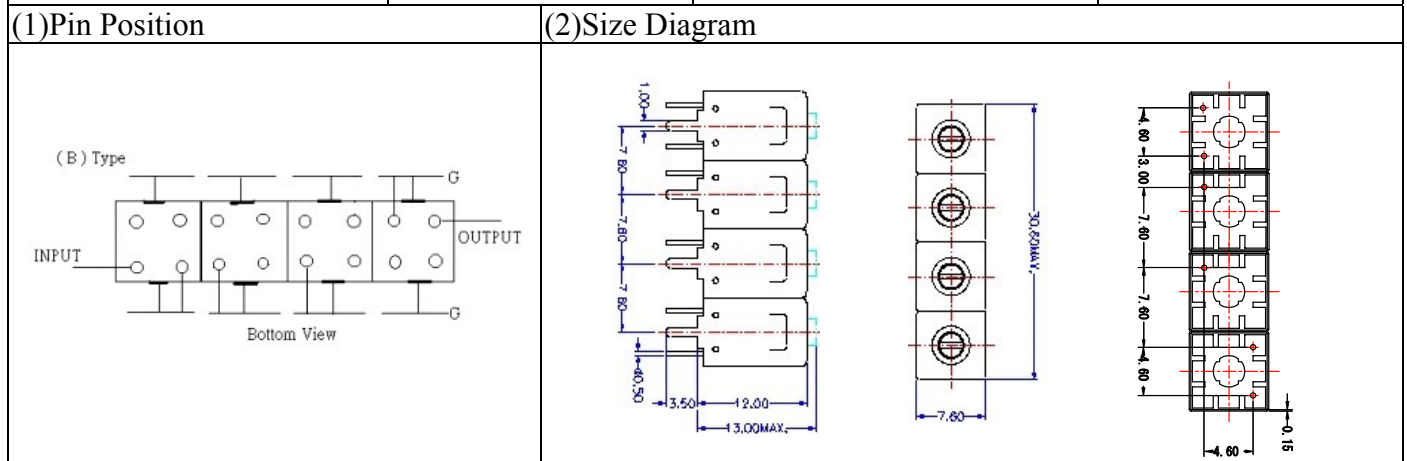


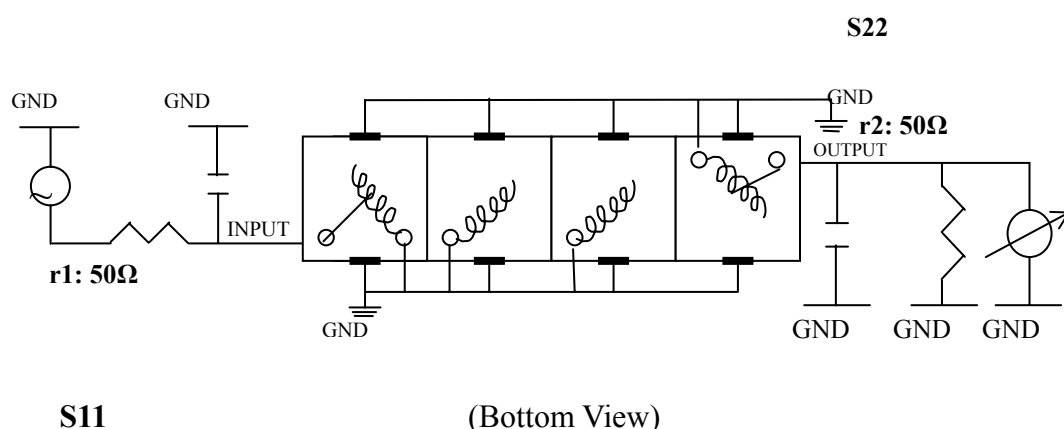
VHF UHF Helical Filter Specification Sheet

Customer Name		Temwell's Part No.	TF64366B-650M
Approval No. /dated		Temwell's Print Name	64366B 650M
Work Instruction No.	201504060C	Date	Jul.09.2015



(3) Electric Characteristic		Item	Specify
		Center Freq.(Fo) +/- 0.5 %	650 MHz
		Insertion Loss	Typ. 2.0 dB
		-3 dB Bandwidth	Typ. 120 MHz
Sensitivity (Attenuation)	Fo - 150 MHz	Typ. 44 dBc	
	Fo + 150 MHz	Typ. 28 dBc	
	Fo - ()MHz	Typ. dBc	
	Fo +()MHz	Typ. dBc	
		Return Loss	Min. 12 dB
		Ripple	< 1 dB
		Impedance	In / Out : 50 Ω
(4) Torque for Tuning Screw			> 60gf · cm
(5) Temperature Condition:			
Operating Temperature			0°C ~ +60°C
Storage Temperature			-20°C ~ +70°C
(6) Input Power			> 1Watt

(7) Measuring Circuit: ※Easy to match Impedance S11/S22 50Ω by parallel with about(- -).



Approval	Supervisor	Designer	Aperture size
C.Y.Chang	C.K.Chang	C.S.Chang	7H4S(4*8.0)(8.01) 7H046LB6.6

TEMWELL CORPORATION

Performance-TF64366B-650M

201504060C

CH1 S11

LOG MAG

REF 0.000 dB

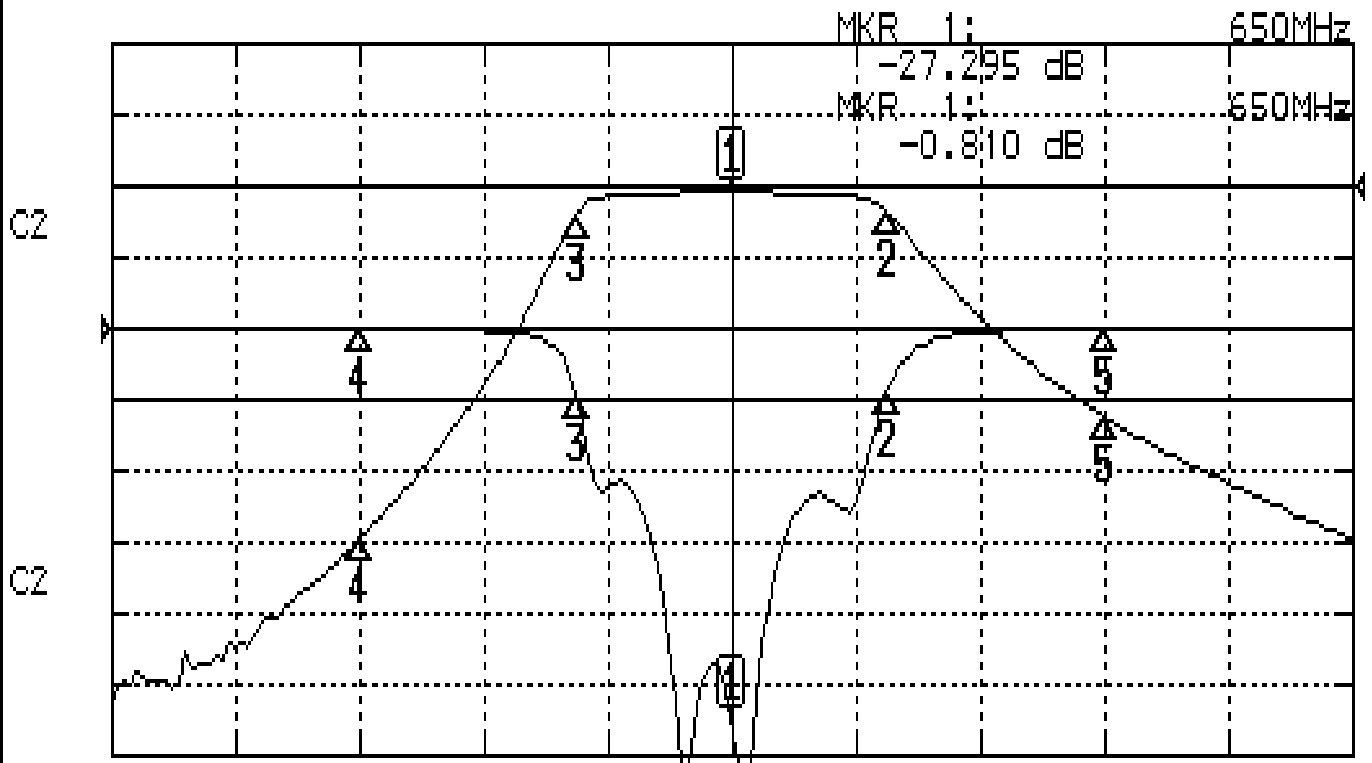
5.000 dB/

CH2 S21

LOG MAG

REF 0.000 dB

10.000 dB/



CENTER 650MHz

[10.00 dBm]

SPAN 500MHz

CH1 MARKER LIST

1:	650.000MHz	-27.295	dB
2:	712.916MHz	-4.275	dB
3:	587.500MHz	-4.686	dB
4:	500.000MHz	-0.011	dB
5:	800.000MHz	0.026	dB

CH2 MARKER LIST

1:	650.000MHz	-0.810	dB
2:	712.916MHz	-0.858	dB
3:	587.500MHz	-0.829	dB
4:	500.000MHz	-4.474	dB
5:	800.000MHz	-32.445	dB