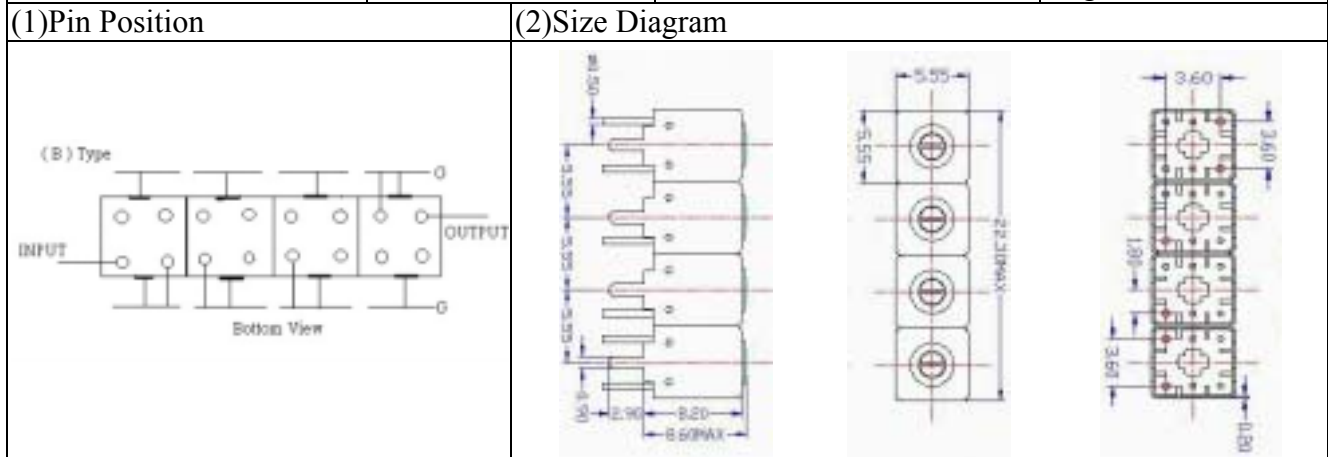


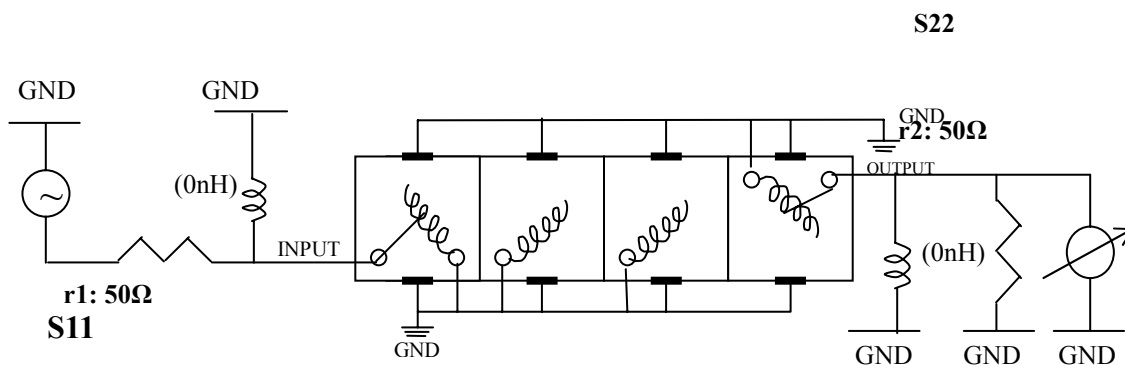
VHF UHF Helical Filter Specification Sheet

Customer Name		Temwell's Part No.	TFW4875B-2583M
Approval No. /dated	0807080C	Temwell,s print name	4875B 2583M
Work Instruction No.	0807080C	Date	Aug.12.2008



Item		Specify	
Center Freq.(Fo) +/- 0.5 %		2583	MHz
Insertion Loss		Typ. 3.5	dB
-1 dB Bandwidth		Typ. 140	MHz
-3 dB Bandwidth		Typ. 192	MHz
Sensitivity (Attenuation)	Fo - 200 MHz	Typ. 29	dBc
	Fo + 200 MHz	Typ. 14	dBc
	Fo - ()MHz	Typ.	dBc
	Fo +()MHz	Typ.	dBc
Return Loss		Min. 12	dB
Ripple		< 1 dB	
Impedance		In / Out : 50 Ω	
(4)Torque for Tuning Screw		> 60gf cm	
(5)Temperature Condition:			
Operating Temperature		0 ~ +60	
Storage Temperature		-20 ~ +70	
(6)Input Power		> 0.5Watt	

(7)Measuring Circuit: Easy to match Impedance S11/S22 50Ω by parallel with about(0 nH) / (0 nH).



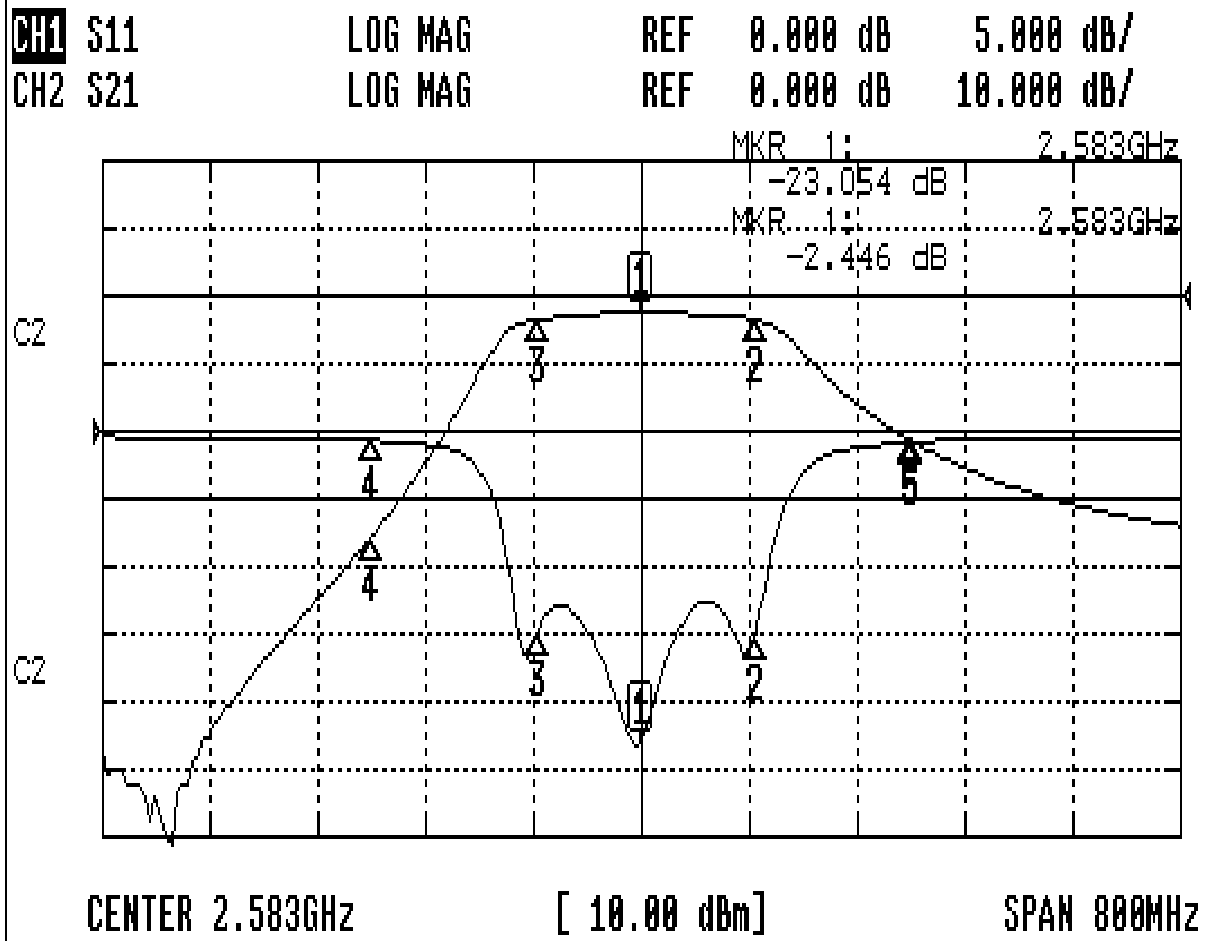
(Bottom View)

Approval C.Y.Chang	Supervisor C.S.Chang	Designer Y.H.Yeh	Aperture size 5W4S(3.8*5.1) 5HW046RB4
-----------------------	-------------------------	---------------------	---

TEMWELL CORPORATION

Performance-TFW4875B-2583M

0807080C



CH1 MARKER LIST

1:	2.583	000GHz	-23.054	dB
2:	2.667	666GHz	-15.212	dB
3:	2.506	333GHz	-14.918	dB
4:	2.383	000GHz	-0.703	dB
5:	2.783	000GHz	-0.863	dB

CH2 MARKER LIST

1:	2.583	000GHz	-2.446	dB
2:	2.667	666GHz	-3.444	dB
3:	2.506	333GHz	-3.477	dB
4:	2.383	000GHz	-35.599	dB
5:	2.783	000GHz	-21.385	dB