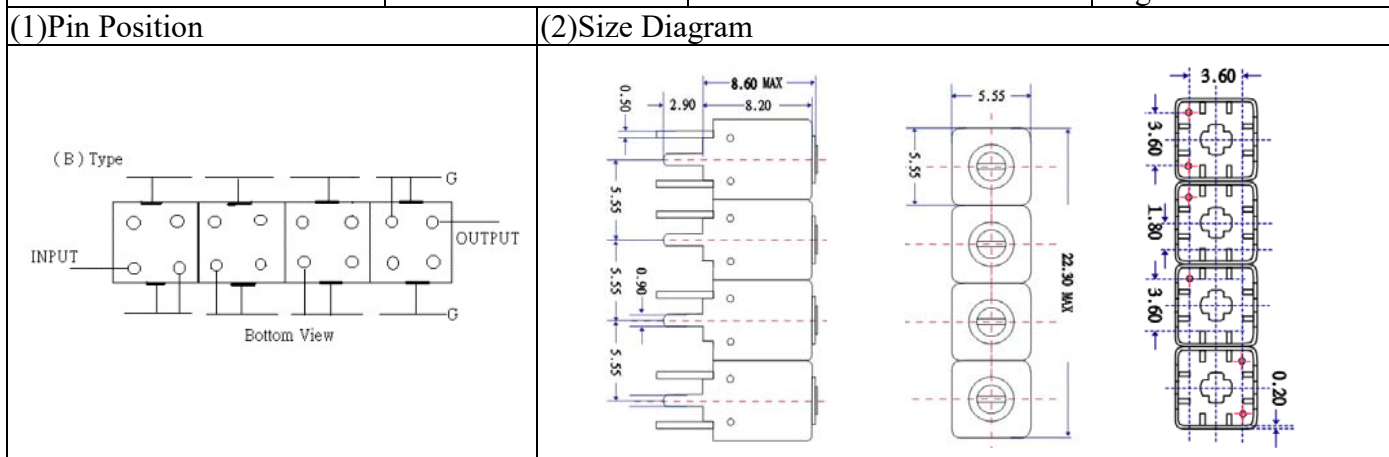


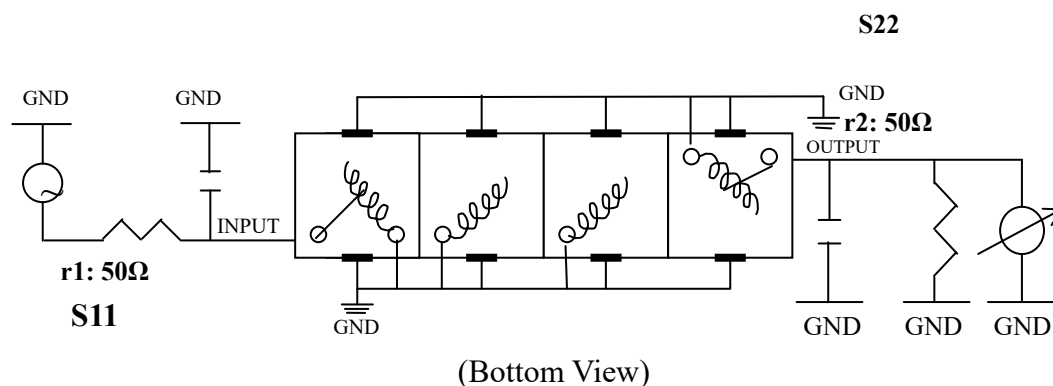
VHF UHF Helical Filter Specification Sheet

Customer Name		Temwell's Part No.	TFW41019B-2655M
Approval No. /dated		Temwell's Print name	41019B 2655M
Work Instruction No.	201608070CD	Date	Aug.29.2016



(3)Electric Charasteric		Item	Specify
Center Freq.(Fo) +/- 0.5 %			2655 MHz
Insertion Loss		Typ.	3.5 dB
-3 dB Bandwidth		Typ.	153 MHz
Sensitivity (Attenuation)	Fo - 200 MHz	Typ.	35 dBc
	Fo + 200 MHz	Typ.	20 dBc
	Fo - ()MHz	Typ.	dBc
	Fo +()MHz	Typ.	dBc
Return Loss		Min.	12 dB
Ripple			< 1 dB
Impedance			In / Out : 50 Ω
(4)Torque for Tuning Screw			> 60gf • cm
(5)Temperature Condition:			
Operating Temperature			0°C ~ +60°C
Storage Temperature			-20°C ~ +70°C
(6)Input Power			> 0.5Watt

(7)Measuring Circuit: ※Easy to match Impedance S11/S22 50Ω by parallel with about(- -).



Approval	Supervisor	Designer	Aperture size
C.Y.Chang	C.K.Chang	M.Y.Kang	5W4S(3.8*5.1)(5.15) 5HW046RB3.2 (J1)

TEMWELL CORPORATION

TEMWELL

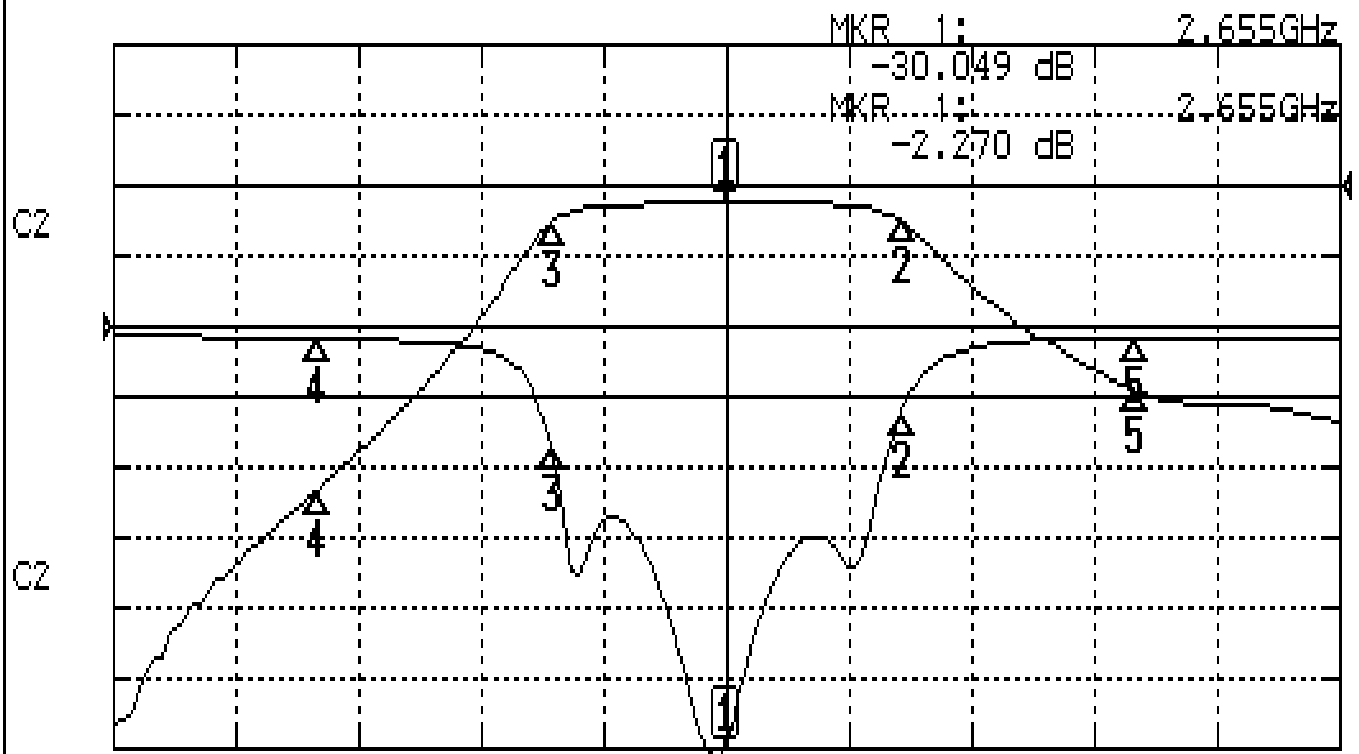
Form10-5H4B Vision D

RP (M.Y)

Performance-TFW41019B-2655M

201608070CD

CH1 S11 LOG MAG REF 0.000 dB 5.000 dB/
CH2 S21 LOG MAG REF 0.000 dB 10.000 dB/



CENTER 2.655GHz

[10.00 dBm]

SPAN 600MHz

CH1 MARKER LIST

Marker	Frequency (GHz)	Magnitude (dB)
1:	2.655 000GHz	-30.049 dB
2:	2.741 000GHz	-6.090 dB
3:	2.569 500GHz	-8.658 dB
4:	2.455 000GHz	-0.860 dB
5:	2.855 000GHz	-0.801 dB

CH2 MARKER LIST

Marker	Frequency (GHz)	Magnitude (dB)
1:	2.655 000GHz	-2.268 dB
2:	2.741 000GHz	-5.241 dB
3:	2.569 500GHz	-5.215 dB
4:	2.455 000GHz	-43.223 dB
5:	2.855 000GHz	-29.049 dB