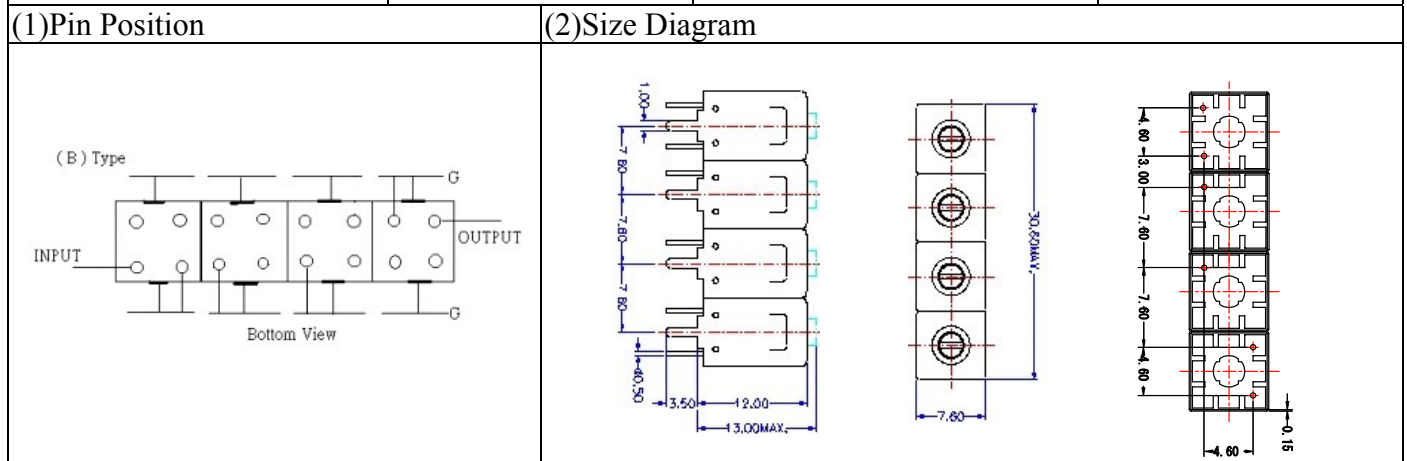


VHF UHF Helical Filter Specification Sheet

Customer Name		Temwell's Part No.	TF69868B-933M
Approval No. /dated		Temwell's Print Name	69868B 933M
Work Instruction No.	201504068C	Date	Jun.08.2015



(3) Electric Characteristic

Item		Specify	
Center Freq.(Fo) +/- 0.5 %		933	MHz
Insertion Loss		Typ. 2.0	dB
-3 dB Bandwidth		Typ. 120	MHz
Sensitivity (Attenuation)	Fo - 150 MHz	Typ. 44	dBc
	Fo + 150 MHz	Typ. 24	dBc
	Fo - ()MHz	Typ.	dBc
	Fo +()MHz	Typ.	dBc
Return Loss		Min. 12	dB
Ripple		< 1	dB
Impedance		In / Out : 50 Ω	

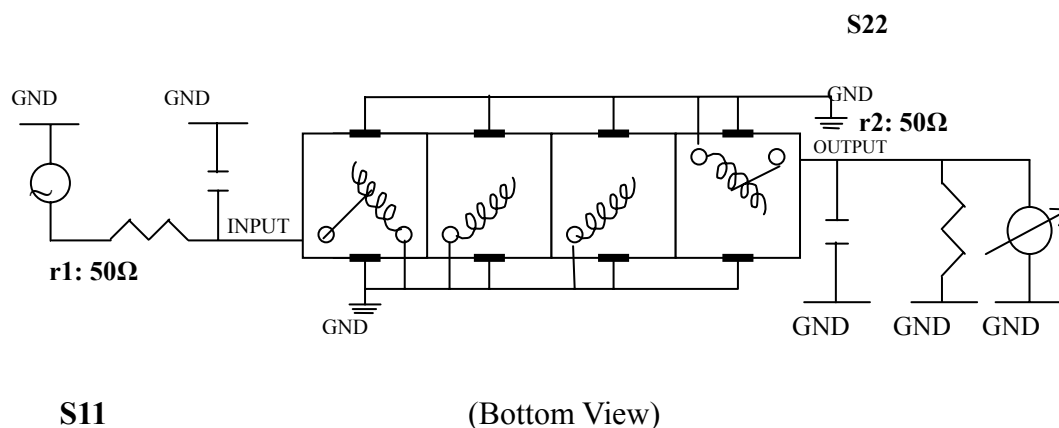
(4) Torque for Tuning Screw > 60gf · cm

(5) Temperature Condition:

Operating Temperature	0°C ~ +60°C
Storage Temperature	-20°C ~ +70°C

(6) Input Power > 1Watt

(7) Measuring Circuit: ※Easy to match Impedance S11/S22 50Ω by parallel with about(- -).

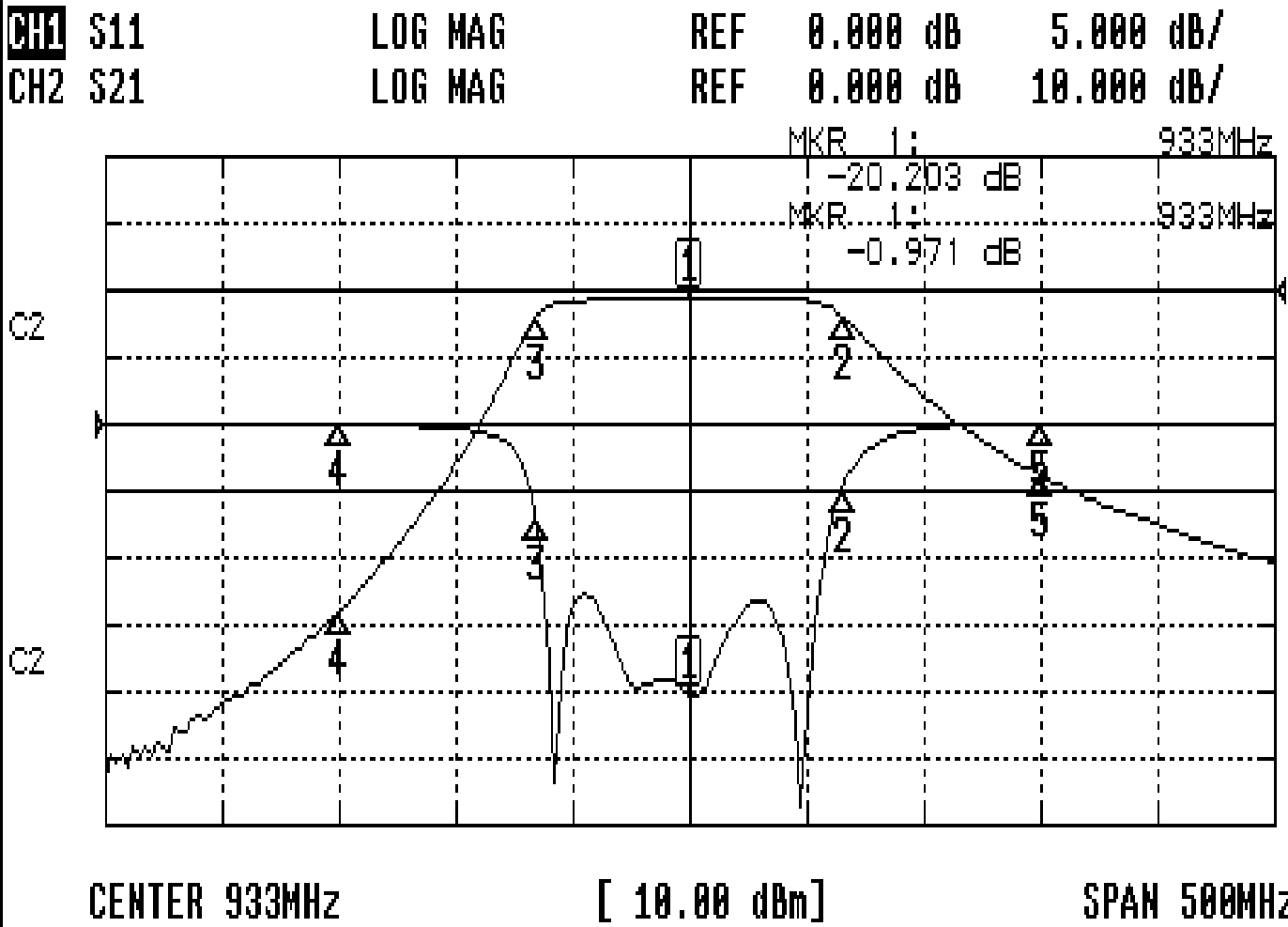


Approval	Supervisor	Designer	Aperture size
C.Y.Chang	C.K.Chang	C.S.Chang	7H4S(4*8.0)(8.01) 7H046RB6.5

TEMWELL CORPORATION

Performance-TF69868B-933M

201504068C



CH1 MARKER LIST			
1:	933.000MHz	-20.203	dB
2:	998.000MHz	-4.992	dB
3:	867.583MHz	-7.222	dB
4:	783.000MHz	-0.002	dB
5:	1.083 000GHz	0.057	dB
6:			
7:			
8:			
9:			
10:			

CH2 MARKER LIST			
1:	933.000MHz	-0.974	dB
2:	998.000MHz	-3.907	dB
3:	867.583MHz	-3.958	dB
4:	783.000MHz	-48.010	dB
5:	1.083 000GHz	-27.731	dB
6:			
7:			
8:			
9:			
10:			