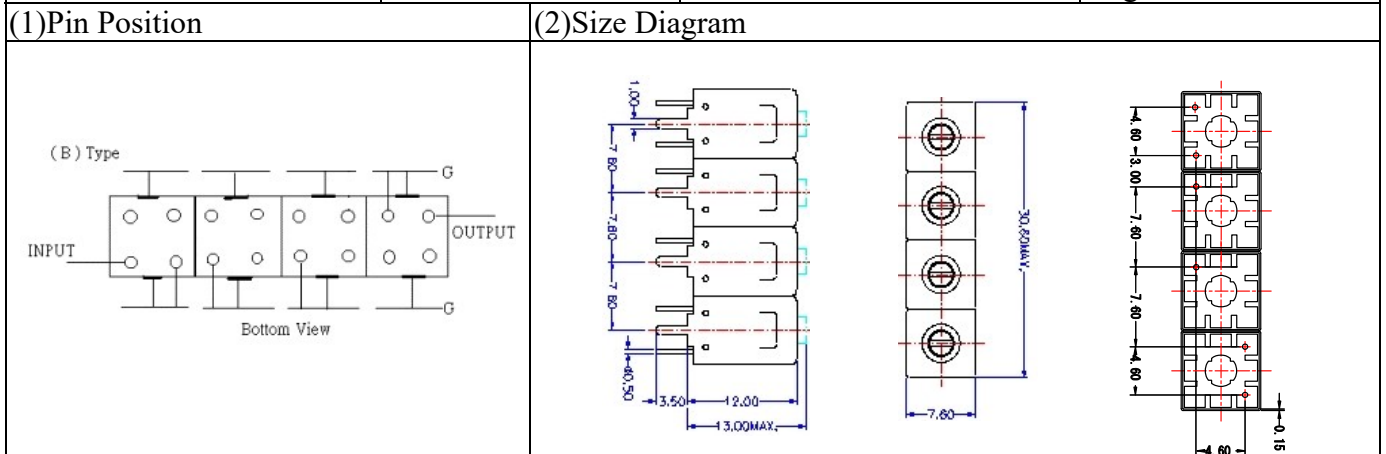


VHF UHF Helical Filter Specification Sheet

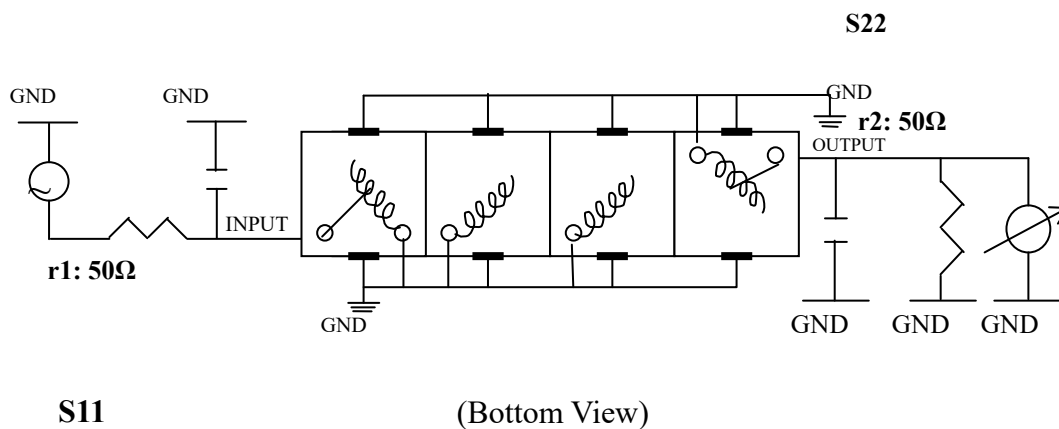
Customer Name		Temwell's Part No.	TF69751B-1282.5M
Approval No. /dated		Temwell's Print Name	69751B 1282.5M
Work Instruction No.	201907027C	Date	Aug.19.2019



(3) Electric Characteristic

Item		Specify	
Center Freq.(Fo) +/- 0.5 %		1282.5	MHz
Insertion Loss		Typ. 5.0	dB
-3 dB Bandwidth		Typ. 27	MHz
Sensitivity (Attenuation)	Fo - 50 MHz	Typ. 39	dBc
	Fo + 50 MHz	Typ. 32	dBc
	Fo - ()MHz	Typ.	dBc
	Fo +()MHz	Typ.	dBc
Return Loss		Min. 12	dB
Ripple		< 1 dB	
Impedance		In / Out : 50 Ω	
(4) Torque for Tuning Screw		> 60gf · cm	
(5) Temperature Condition:			
Operating Temperature		-0°C ~ +60°C	
Storage Temperature		-20°C ~ +70°C	
(6) Input Power		> 1Watt	

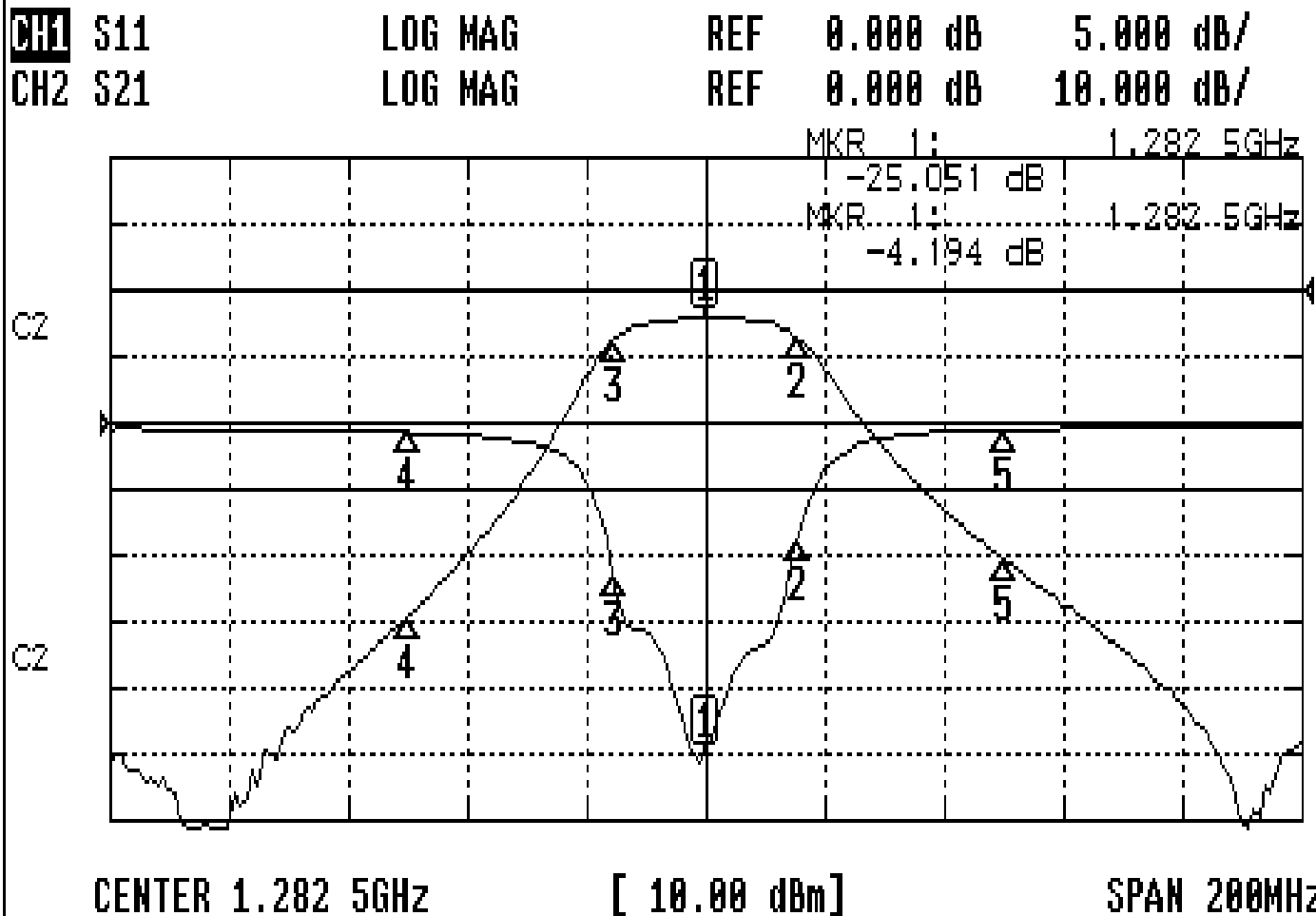
(7) Measuring Circuit: ※Easy to match Impedance S11/S22 50Ω/ by parallel with about(- -).



Approval	Supervisor	Designer	Aperture size
C.Y.Chang	C.K.Chang	W.W.Wang	7H4S(4*5.35)(5.37) 7H046RB4-J1
TEMWELL CORPORATION			

Performance-TF69751B-1282.5M

201907027C



CH1 MARKER LIST

1:	1.282	500GHz	-25.039	dB
2:	1.298	032GHz	-8.622	dB
3:	1.267	120GHz	-11.389	dB
4:	1.232	500GHz	-0.725	dB
5:	1.332	500GHz	-0.496	dB

CH2 MARKER LIST

1:	1.282	500GHz	-4.191	dB
2:	1.298	032GHz	-7.193	dB
3:	1.267	120GHz	-7.196	dB
4:	1.232	500GHz	-49.001	dB
5:	1.332	500GHz	-40.586	dB