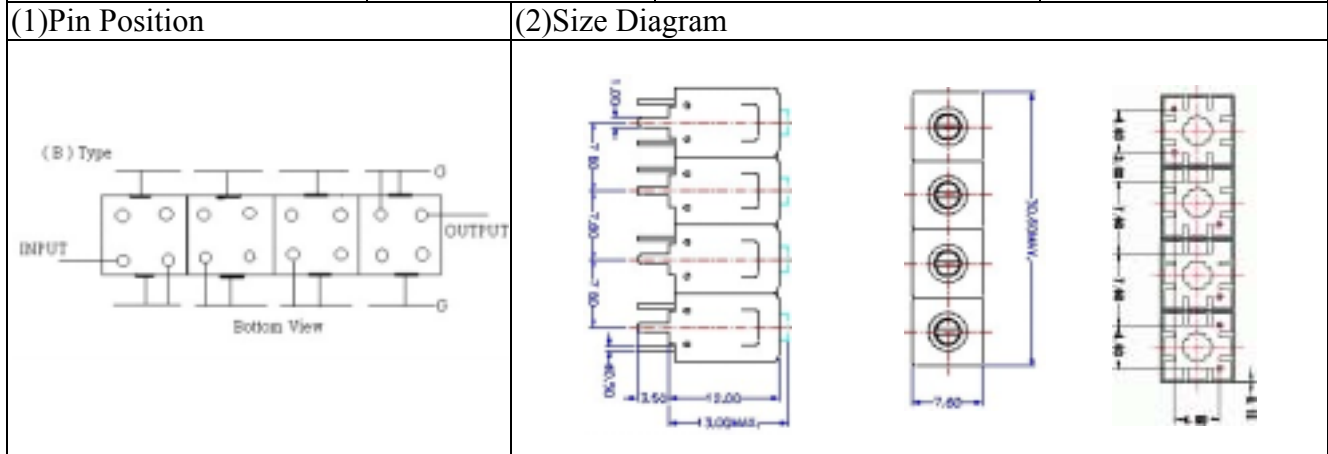


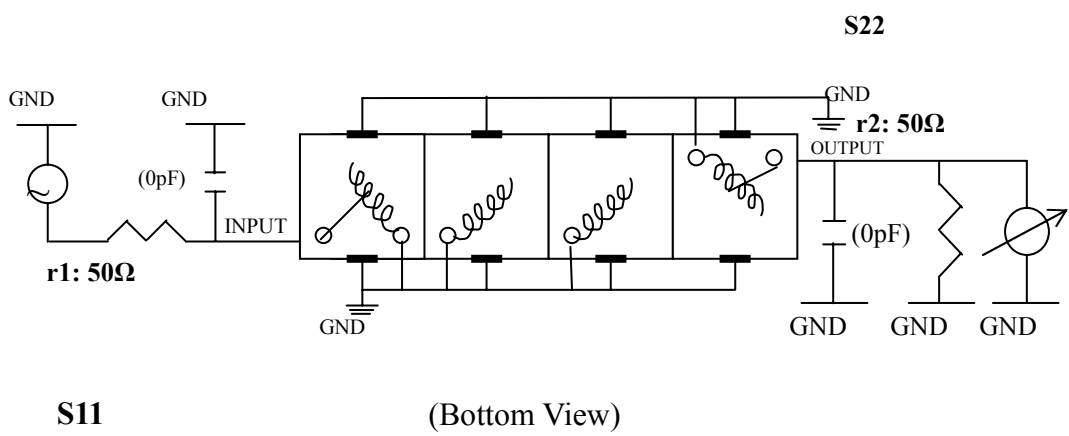
# VHF UHF Helical Filter Specification Sheet

Customer Name		Temwell's Part No.	TF69466B-408M
Approval No. /dated	0809091APR	Temwell's Print Name	69466B 408M
Work Instruction No.	200809102A	Date	Oct.16.2008



(3)Electric Charasteric		Item	Specify
Center Freq.(Fo ) +/- 0.5 %			408 MHz
Insertion Loss		Typ.	3.5 dB
-3 dB Bandwidth		Typ.	15 MHz
Sensitivity (Attenuation )	Fo - 30 MHz	Typ.	47 dBc
	Fo + 30 MHz	Typ.	36 dBc
	Fo - ( )MHz	Typ.	dBc
	Fo +( )MHz	Typ.	dBc
Return Loss		Min.	12 dB
Ripple			< 1 dB
Impedance			In / Out : 50 Ω
(4)Torque for Tuning Screw			> 100gf cm
(5)Temperature Condition:			
Operating Temperature			0 ~ +60
Storage Temperature			-20 ~ +70
(6)Input Power			> 1Watt

(7)Measuring Circuit: Easy to match Impedance S11/S22 50Ω/ by parallel with about(0pF) / (0 pF).



Approval	Supervisor	Designer	Aperture size
C.Y.Chang	C.S.Chang	J.F.Lin	7H4(4*6.5F) (7H046LB4)聚 3

# Performance-TF69466B-408M

## 200809102A

