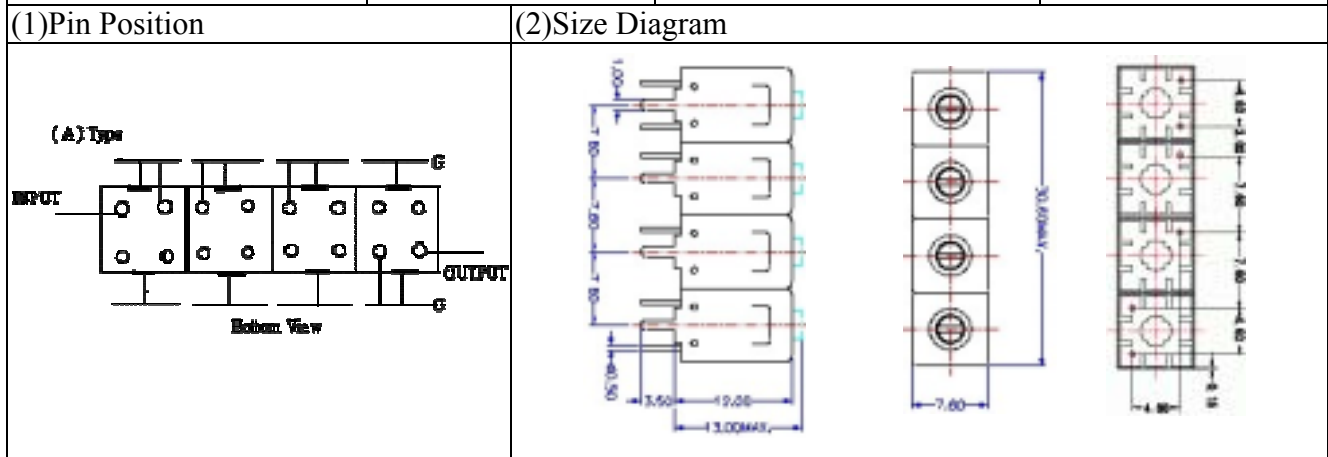


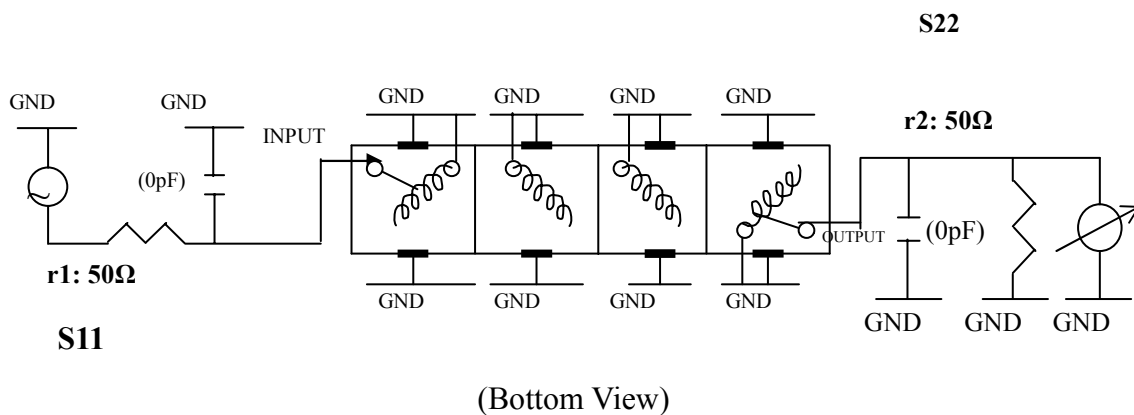
VHF UHF Helical Filter Specification Sheet

Customer Name		Temwell's Part No.	TF69462A-455M
Approval No. /dated	0712097APR	Temwell's Print Name	69462A 455M
Work Instruction No.	0712097CD	Date	Jan.09.2008



(3) Electric Characteristic	
Item	Specify
Center Freq.(Fo) +/- 0.5 %	455 MHz
Insertion Loss	Typ. 5.5 dB
-3 dB Bandwidth	Typ. 8 MHz
Sensitivity (Attenuation)	Fo - 50 MHz Typ. 65 dBc
	Fo + 50 MHz Typ. 64 dBc
	Fo - ()MHz Typ. dBc
	Fo +()MHz Typ. dBc
Return Loss	Min. 12 dB
Ripple	< 1 dB
Impedance	In / Out : 50 Ω
(4) Torque for Tuning Screw	> 100gf cm
(5) Temperature Condition:	
Operating Temperature	0 ~ +60
Storage Temperature	-20 ~ +70
(6) Input Power	> 1Watt

(7) Measuring Circuit: Easy to match Impedance S11/S22 50Ω/50Ω by parallel with about(0pF) / (0pF).

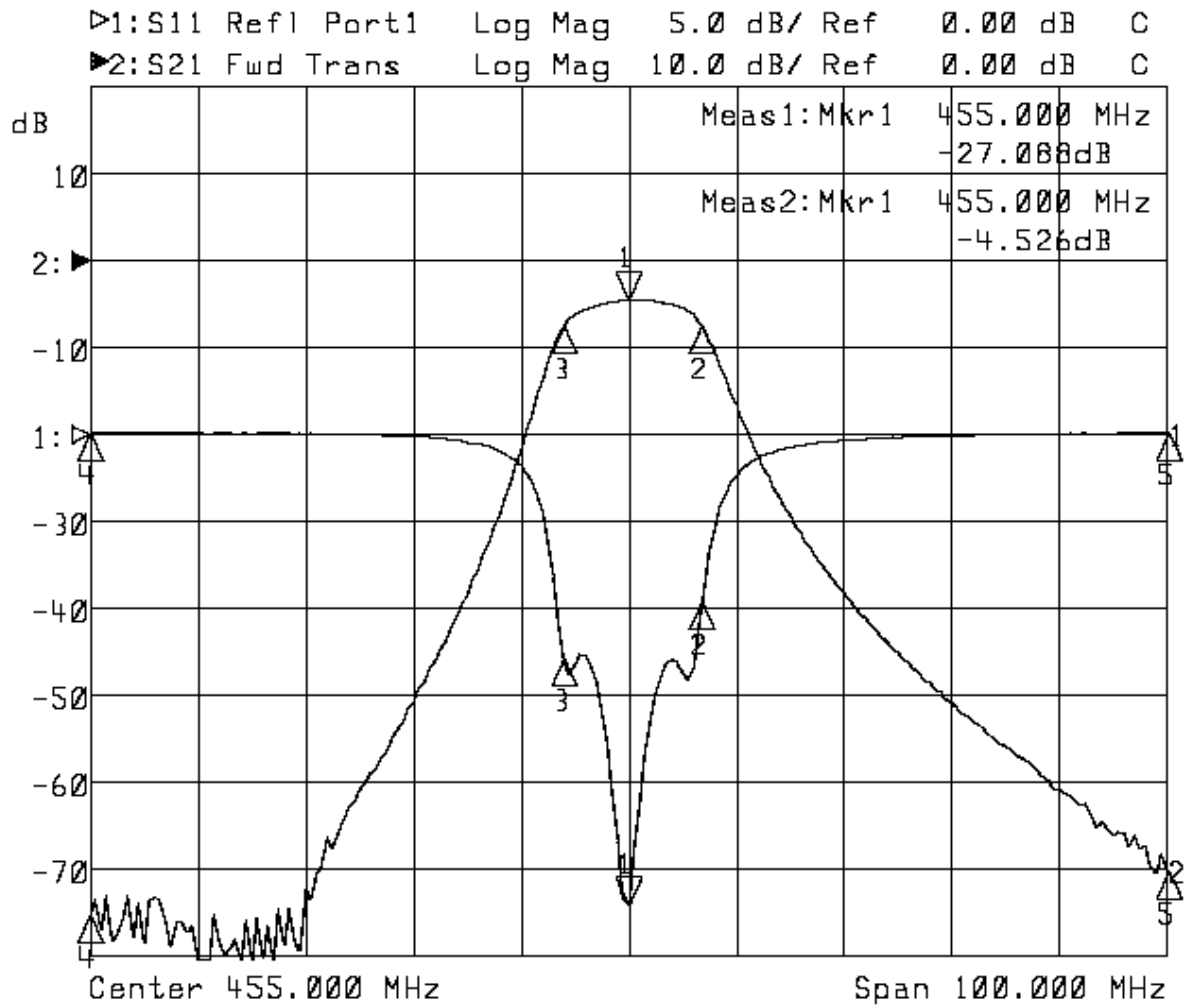


Approval	Supervisor	Designer	Aperture size
C.Y.Chang	C.S.Chang	Y.H.Chuan	7H4(4*5.5)F 7H046LB4 聚 3

TEMWELL CORPORATION

Performance-TF69462A-455M

0712097CD



1: Mkr (MHz)	dB	2: Mkr (MHz)	dB
1> 455.0000	-27.088	1> 455.0000	-4.526
2: 461.8333	-9.639	2: 461.8333	-7.527
3: 448.9333	-12.826	3: 448.9333	-7.570
4: 405.0000	0.098	4: 405.0000	-75.174
5: 505.0000	0.099	5: 505.0000	-70.152