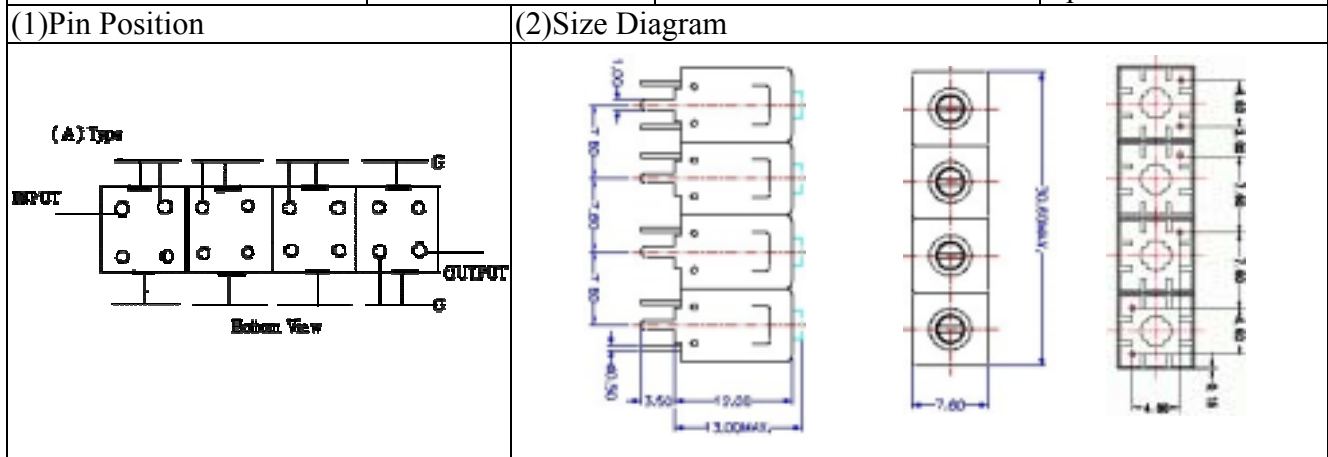


VHF UHF Helical Filter Specification Sheet

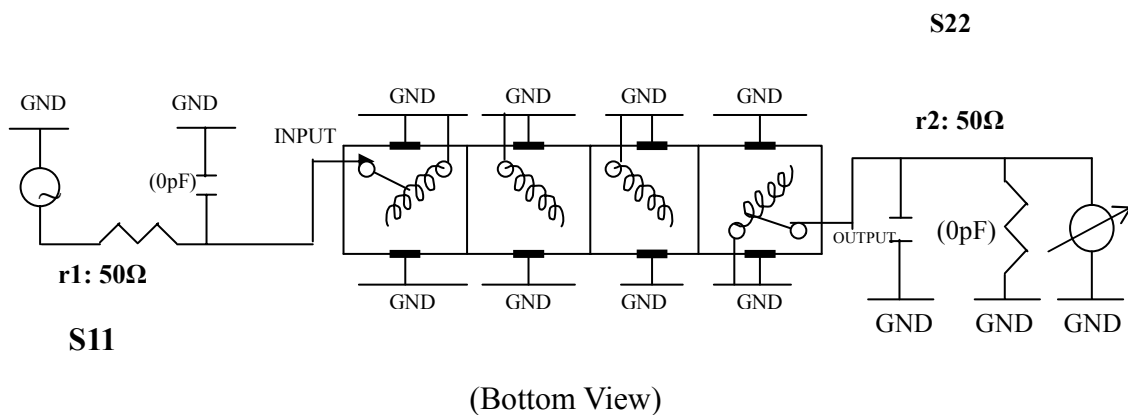
Customer Name		Temwell's Part No.	TF69462A-425M
Approval No. /dated	0704008APR	Temwell's Print Name	69462A 425M
Work Instruction No.	0704008A	Date	Apr.16.2007



(3) Electric Characteristic

Item	Specify	
Center Freq.(Fo) +/- 0.5 %	425	MHz
Insertion Loss	Typ. 5.0	dB
-3 dB Bandwidth	Typ. 8	MHz
Sensitivity (Attenuation)	Fo - 50 MHz	Typ. 65 dBc
	Fo + 50 MHz	Typ. 64 dBc
	Fo - ()MHz	Typ. dBc
	Fo +()MHz	Typ. dBc
Return Loss	Min. 12	dB
Ripple	< 1 dB	
Impedance	In / Out : 50 Ω	
(4) Torque for Tuning Screw	> 100gf cm	
(5) Temperature Condition:		
Operating Temperature	0 ~ +60	
Storage Temperature	-20 ~ +70	
(6) Input Power	> 1Watt	

(7) Measuring Circuit: Easy to match Impedance S11/S22 50Ω by parallel with about(0pF) / (0pF).



Approval	Supervisor	Designer	Aperture size
C.Y.Chang	C.S.Chang	W.W.Wang	7H4,4*5.5(5.56) 7H046LB4 聚3

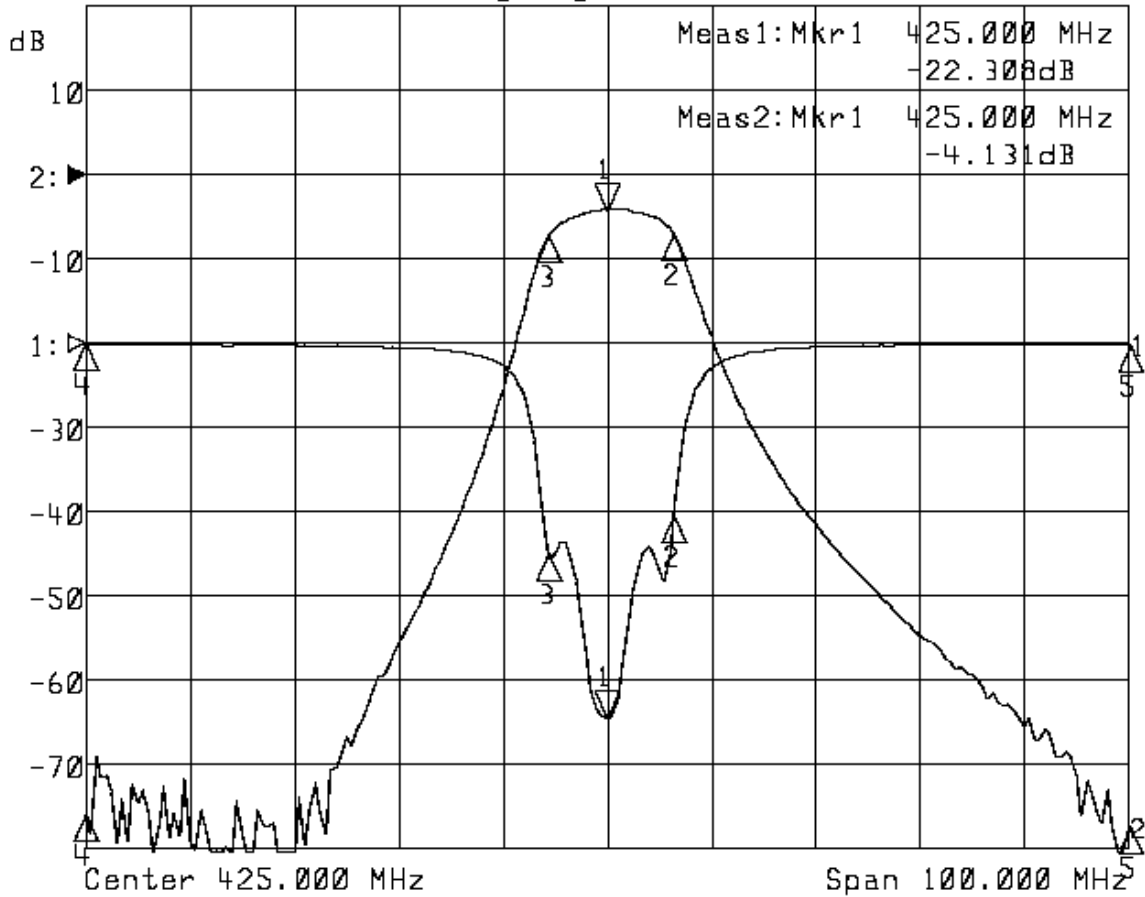
TEMWELL CORPORATION

Performance-TF69462A-425M

0704008B

▷1:S11 Refl Port1 Log Mag 5.0 dB/ Ref 0.00 dB C

▶2:S21 Fwd Trans Log Mag 10.0 dB/ Ref 0.00 dB C



1: Mkr (MHz)	dB	2: Mkr (MHz)	dB
1> 425.0000	-22.308	1> 425.0000	-4.131
2: 431.3667	-10.238	2: 431.3667	-7.124
3: 419.4000	-12.479	3: 419.4000	-7.196
4: 375.0000	-0.045	4: 375.0000	-76.021
5: 475.0000	-0.107	5: 475.0000	-77.384