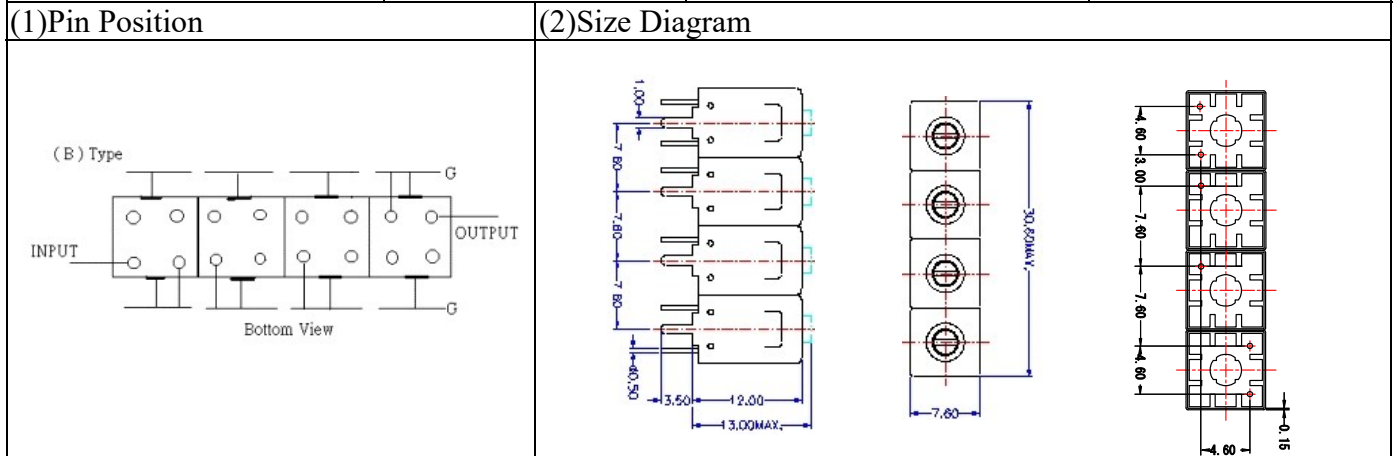
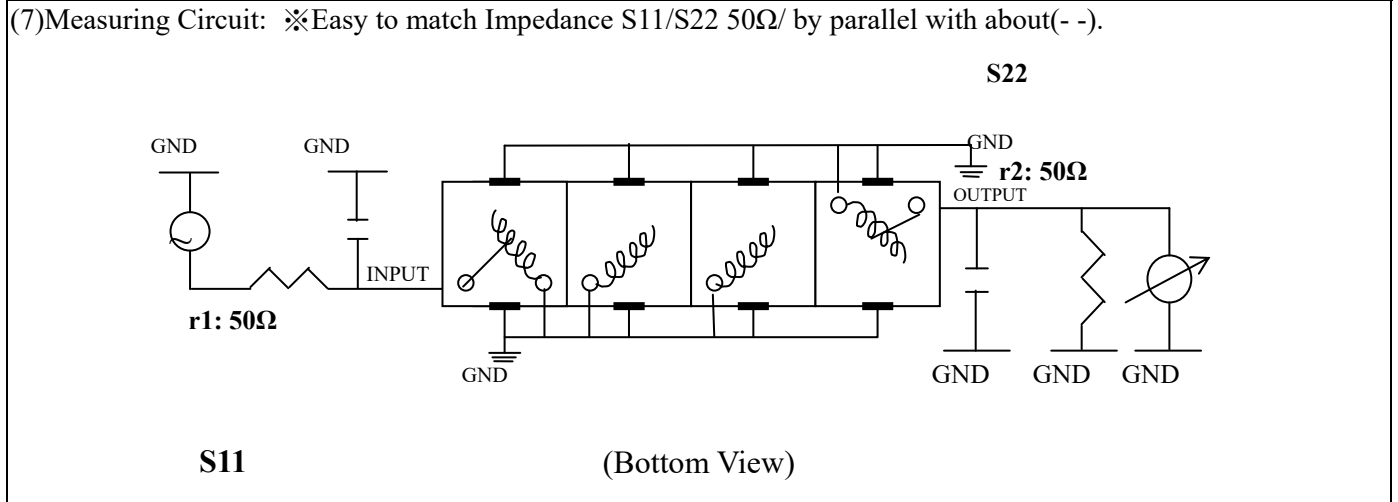


# VHF UHF Helical Filter Specification Sheet

Customer Name		Temwell's Part No.	TF69410B-435M
Approval No. /dated		Temwell's Print Name	69410B 435M
Work Instruction No.	201907017C	Date	Jul.18.2019



(3) Electric Characteristic		Item	Specify
		Center Freq.(Fo) +/- 0.5 %	435 MHz
		Insertion Loss	Typ. 3.0 dB
		-3 dB Bandwidth	Typ. 31 MHz
Sensitivity (Attenuation)		Fo - 100 MHz	Typ. 60 dBc
		Fo + 100 MHz	Typ. 60 dBc
		Fo - ( )MHz	Typ. dBc
		Fo +( )MHz	Typ. dBc
		Return Loss	Min. 12 dB
		Ripple	< 1 dB
		Impedance	In / Out : 50 Ω
(4) Torque for Tuning Screw			> 60gf · cm
(5) Temperature Condition:			
Operating Temperature			-0°C ~ +60°C
Storage Temperature			-20°C ~ +70°C
(6) Input Power			> 1Watt



Approval	Supervisor	Designer	Aperture size
C.Y.Chang	C.K.Chang	Z.J.Lu	7H4S(4*6.35)(6.40) 7H046LB5

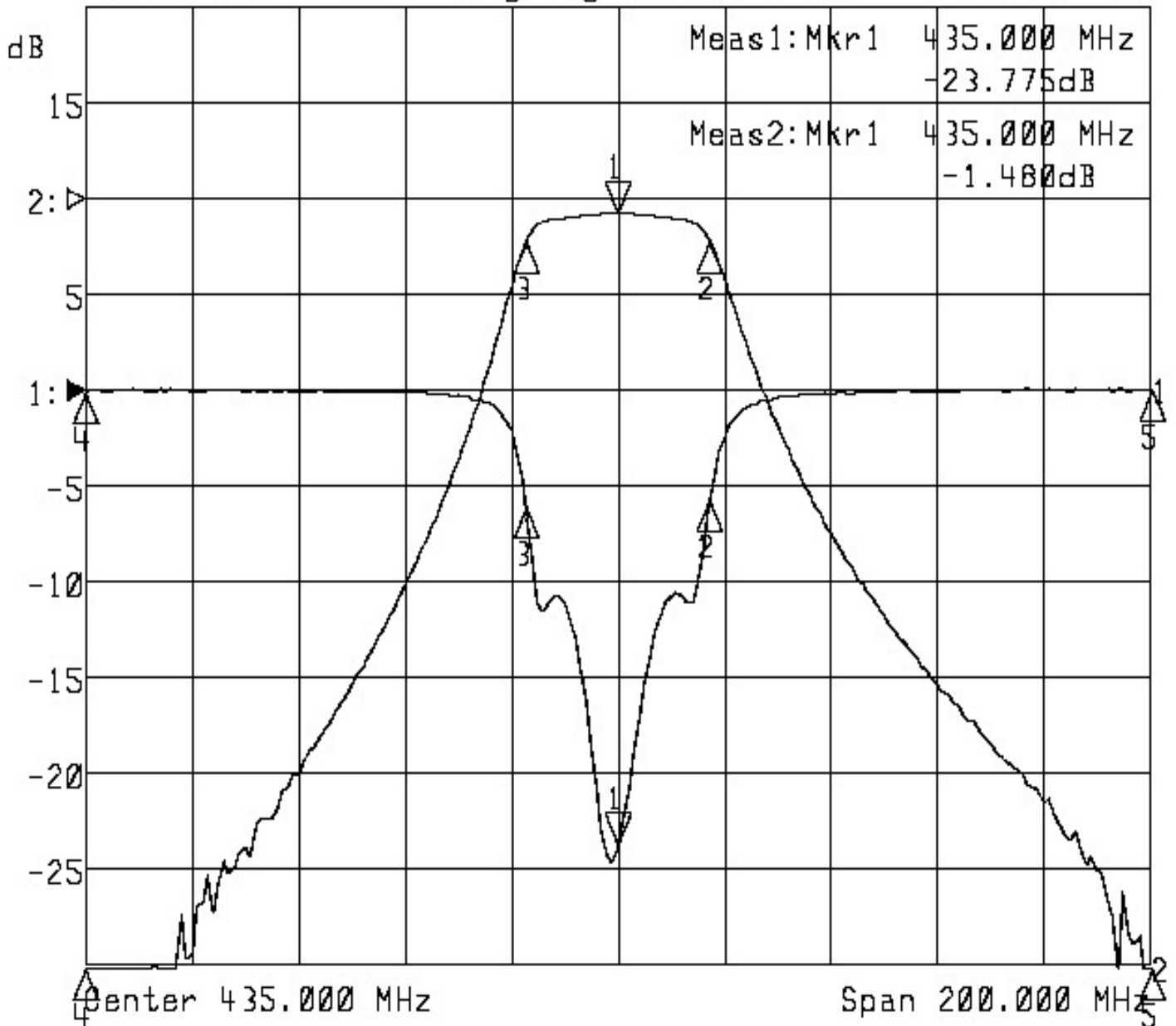
TEMWELL CORPORATION

# Performance-TF69410B-435M

## 201907017C

►1:S11 Refl Port1 Log Mag 5.0 dB/ Ref 0.00 dB C

►2:S21 Fwd Trans Log Mag 10.0 dB/ Ref 0.00 dB C



1: Mkr (MHz)	dB	2: Mkr (MHz)	dB
1> 435.0000	-23.775	1> 435.0000	-1.480
2: 452.3333	-5.694	2: 452.3333	-4.412
3: 417.8000	-6.134	3: 417.8000	-4.455
4: 335.0000	-0.083	4: 335.0000	-84.093
5: 535.0000	0.054	5: 535.0000	-84.539