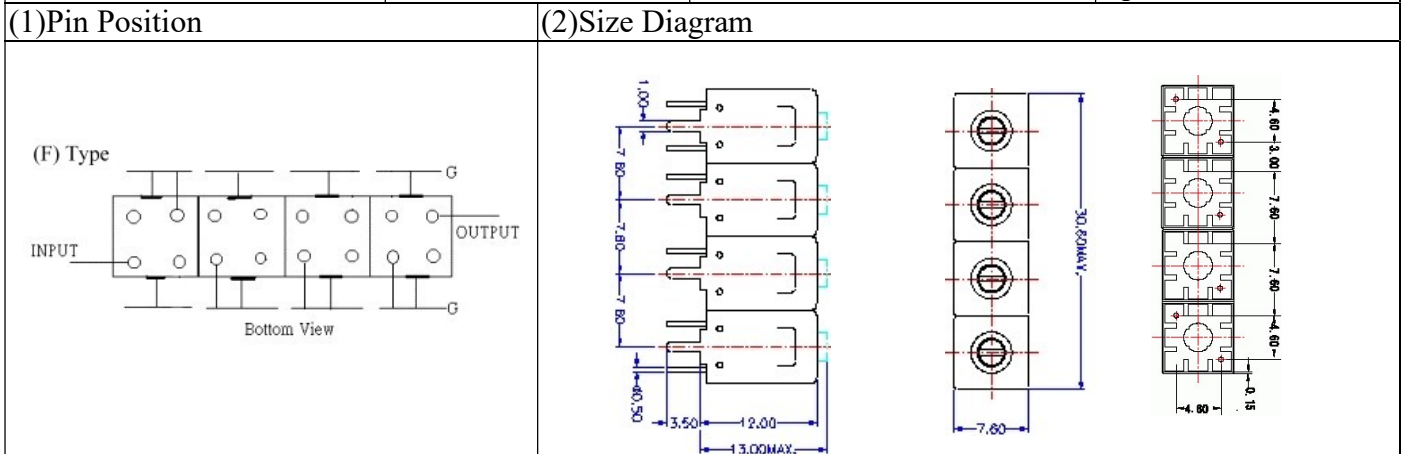


VHF UHF Helical Filter Specification Sheet

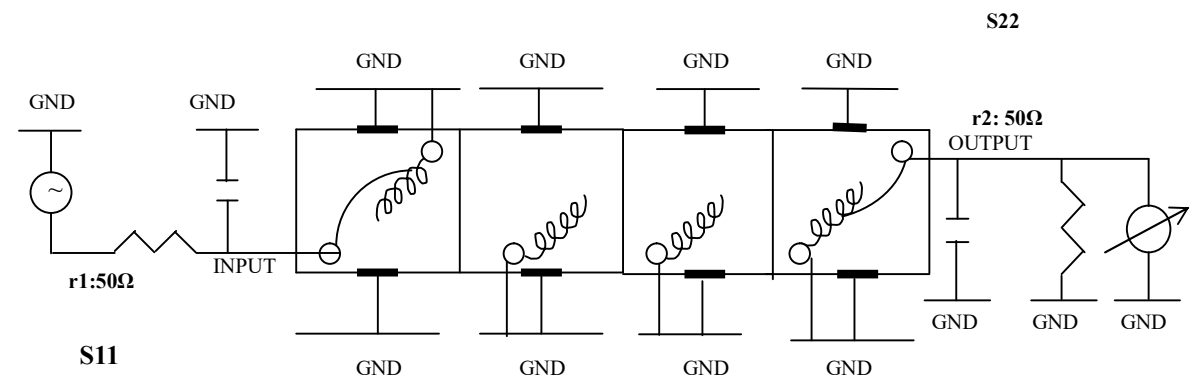
Customer Name		Temwell's Part No.	TF64385F-800M
Approval No. /dated		Temwell's Print name	64385F 800M
Work Instruction No.	201504063C	Date	Apr.20.2016



(3) Electric Chararistic

Item	Specify
Center Freq.(Fo) +/- 0.5 %	800 MHz
Insertion Loss	Typ. 2.0 dB
-3 dB Bandwidth	Typ. 130 MHz
Sensitivity (Attenuation)	Fo - (200) MHz Typ. 50 dBc
	Fo + (200) MHz Typ. 32 dBc
	Fo - () MHz Typ. dBc
	Fo + () MHz Typ. dBc
Return Loss	Min. 12 dB
Ripple	< 1 dB
Impedance	In / Out : 50 Ω
(4) Torque for Tuning Screw	> 60gf · cm
(5) Temperature Condition:	
Operating Temperature	0°C ~ +60°C
Storage Temperature	-20°C ~ +70°C
(6) Input Power	> 1Watt

(7) Measuring Circuit: ※Easy to match Impedance S11/S22 50Ω by parallel with about(--) (--).



(Bottom View)

Approval C.Y.Chang	Supervisor C.K.Chang	Designer C.S.Chang	Aperture size 7H4S(4*7.5)(7.56) 7H046RB6.5
-----------------------	-------------------------	-----------------------	--

TEMWELL CORPORATION

Performance-TF64385F-800M

201504063C

Tr1 S11 Log Mag 5.000dB/ Ref 0.000dB [F2]
Tr2 S21 Log Mag 10.00dB/ Ref 0.000dB [F2]

