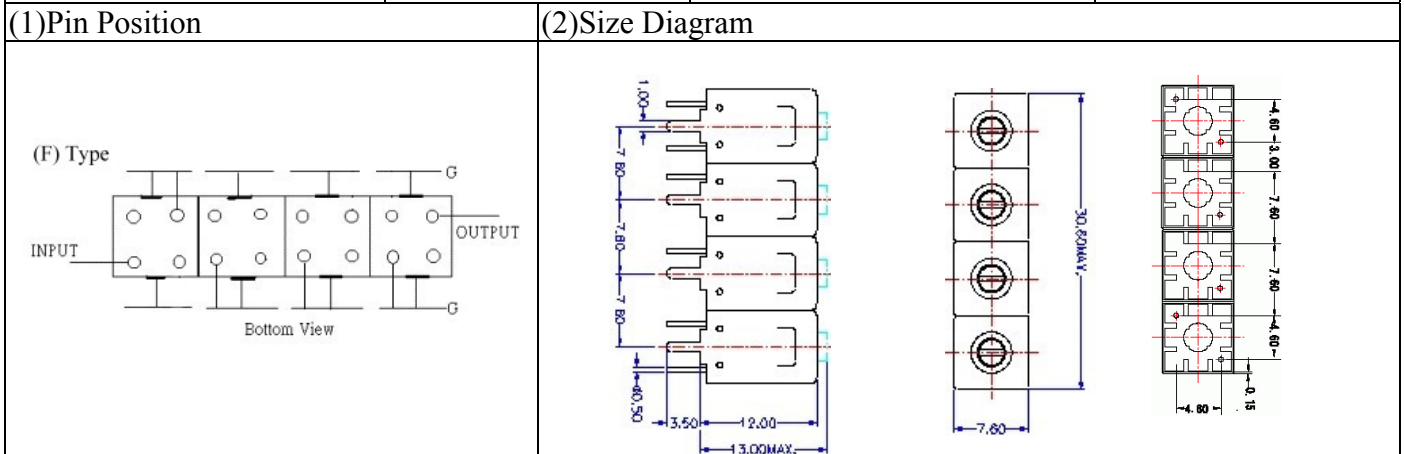


# VHF UHF Helical Filter Specification Sheet

Customer Name		Temwell's Part No.	TF64339F-1160M
Approval No. /dated		Temwell's Print Name	64339F 11600M
Work Instruction No.	201504072CD	Date	Jun.02.2015

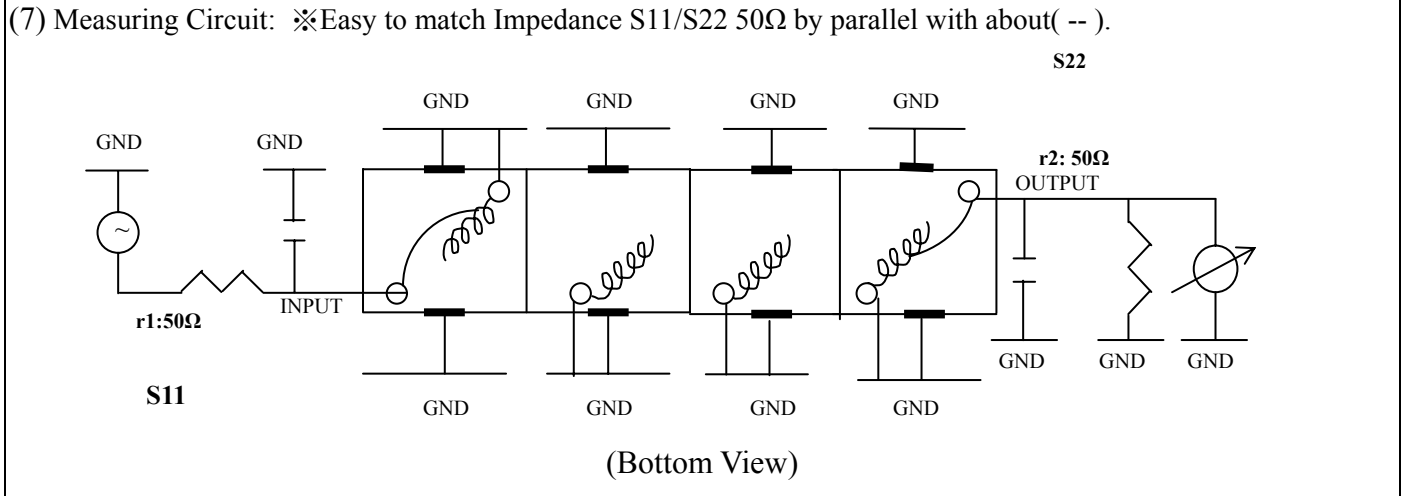


(3) Electric Chararistic		Item	Specify
Center Freq.(Fo) +/- 0.5 %			1160 MHz
Insertion Loss		Typ.	2.0 dB
-3 dB Bandwidth		Typ.	120 MHz
Sensitivity (Attenuation)	Fo - (150) MHz	Typ.	33 dBc
	Fo + (150) MHz	Typ.	25 dBc
	Fo - ( ) MHz	Typ.	dBc
	Fo +( ) MHz	Typ.	dBc
Return Loss		Min.	12 dB
Ripple			< 1 dB
Impedance			In / Out : 50 Ω

(4) Torque for Tuning Screw > 60gf · cm

(5) Temperature Condition:	
Operating Temperature	0°C ~ +60°C
Storage Temperature	-20°C ~ +70°C

(6) Input Power > 1Watt



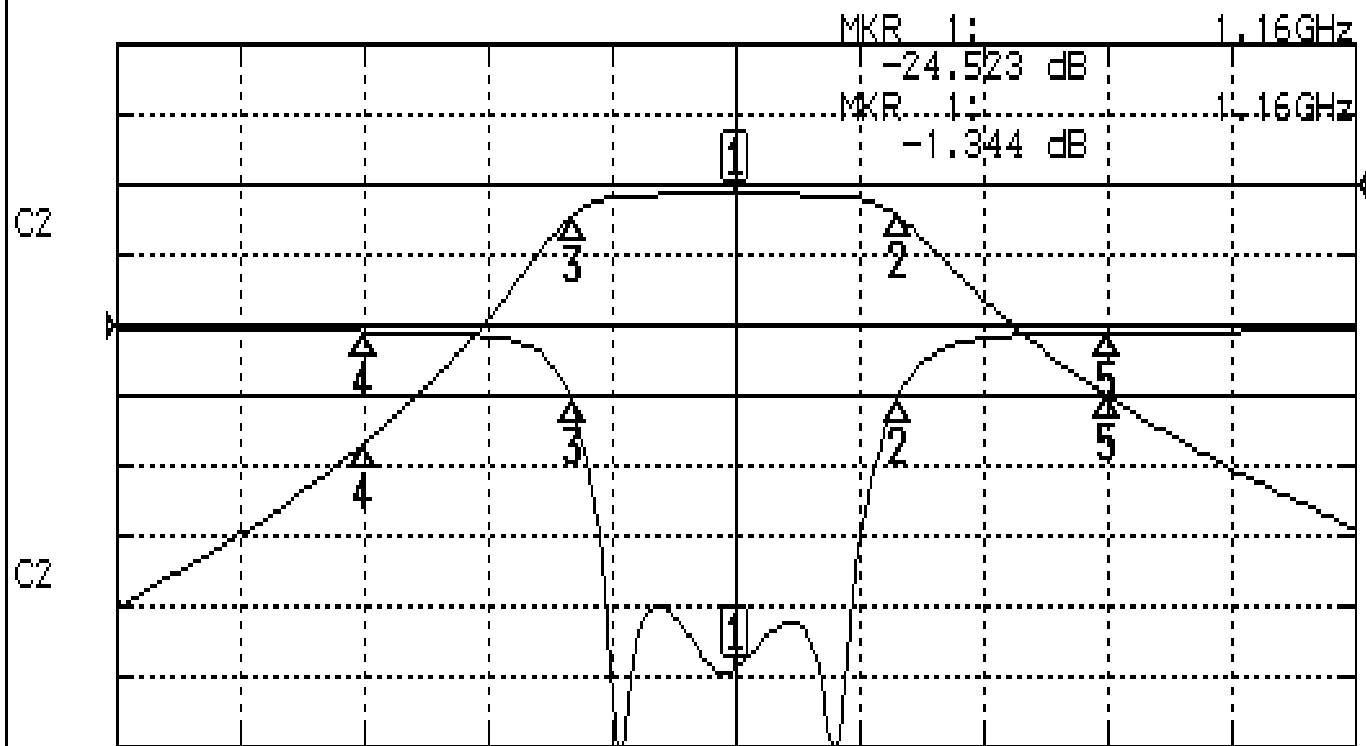
Approval	Supervisor	Designer	Aperture size
C.Y.Chang	C.K.Chang	C.S.Chang	7H4S(4*7.5)(7.58) 7H046RB6.5

TEMWELL CORPORATION

# Performance-TF64339F-1160M

## 201504072CD

**CH1** S11                      LOG MAG                      REF 0.000 dB                      5.000 dB/  
**CH2** S21                      LOG MAG                      REF 0.000 dB                      10.000 dB/



CENTER 1.16GHz

[ 10.00 dBm ]

SPAN 500MHz

CH1 MARKER LIST

1:	1.160	000GHz	-24.523	dB
2:	1.225	000GHz	-5.427	dB
3:	1.094	166GHz	-5.592	dB
4:	1.010	000GHz	-0.441	dB
5:	1.310	000GHz	-0.508	dB

CH2 MARKER LIST

1:	1.160	000GHz	-1.344	dB
2:	1.225	000GHz	-4.068	dB
3:	1.094	166GHz	-4.033	dB
4:	1.010	000GHz	-36.811	dB
5:	1.310	000GHz	-30.074	dB