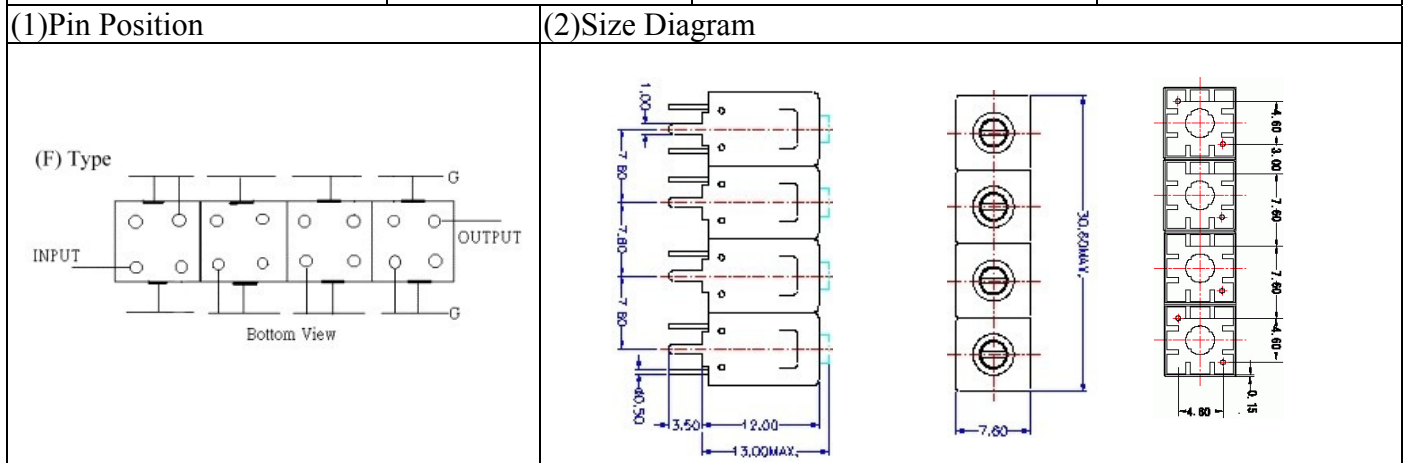


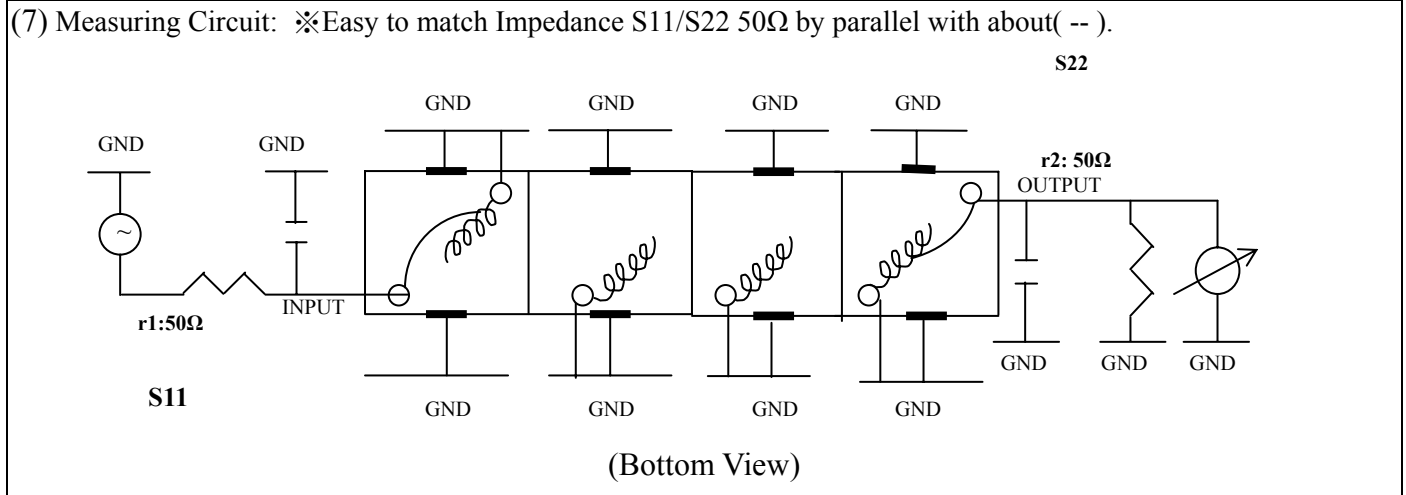
VHF UHF Helical Filter Specification Sheet

Customer Name		Temwell's Part No.	TF64338F-980M
Approval No. /dated	201206081CD	Temwell's Print Name	64338F 980M
Work Instruction No.	201504070CD	Date	Jun.22.2015



(3) Electric Characteristic		Item	Specify
Center Freq.(Fo) +/- 0.5 %			980 MHz
Insertion Loss		Typ.	2.0 dB
-3 dB Bandwidth		Typ.	120 MHz
Sensitivity (Attenuation)	Fo - (150) MHz	Typ.	35 dBc
	Fo + (150) MHz	Typ.	26 dBc
	Fo - () MHz	Typ.	dBc
	Fo +() MHz	Typ.	dBc
Return Loss		Min.	12 dB
Ripple			< 1 dB
Impedance			In / Out : 50 Ω
(4) Torque for Tuning Screw			> 60gf · cm

(5) Temperature Condition:	
Operating Temperature	0°C ~ +60°C
Storage Temperature	-20°C ~ +70°C
(6) Input Power	> 1Watt



Approval	Supervisor	Designer	Aperture size
C.Y.Chang	C.K.Chang	C.S.Chang	7H4S(4*8.0)(8.02) 7H046RB6.5

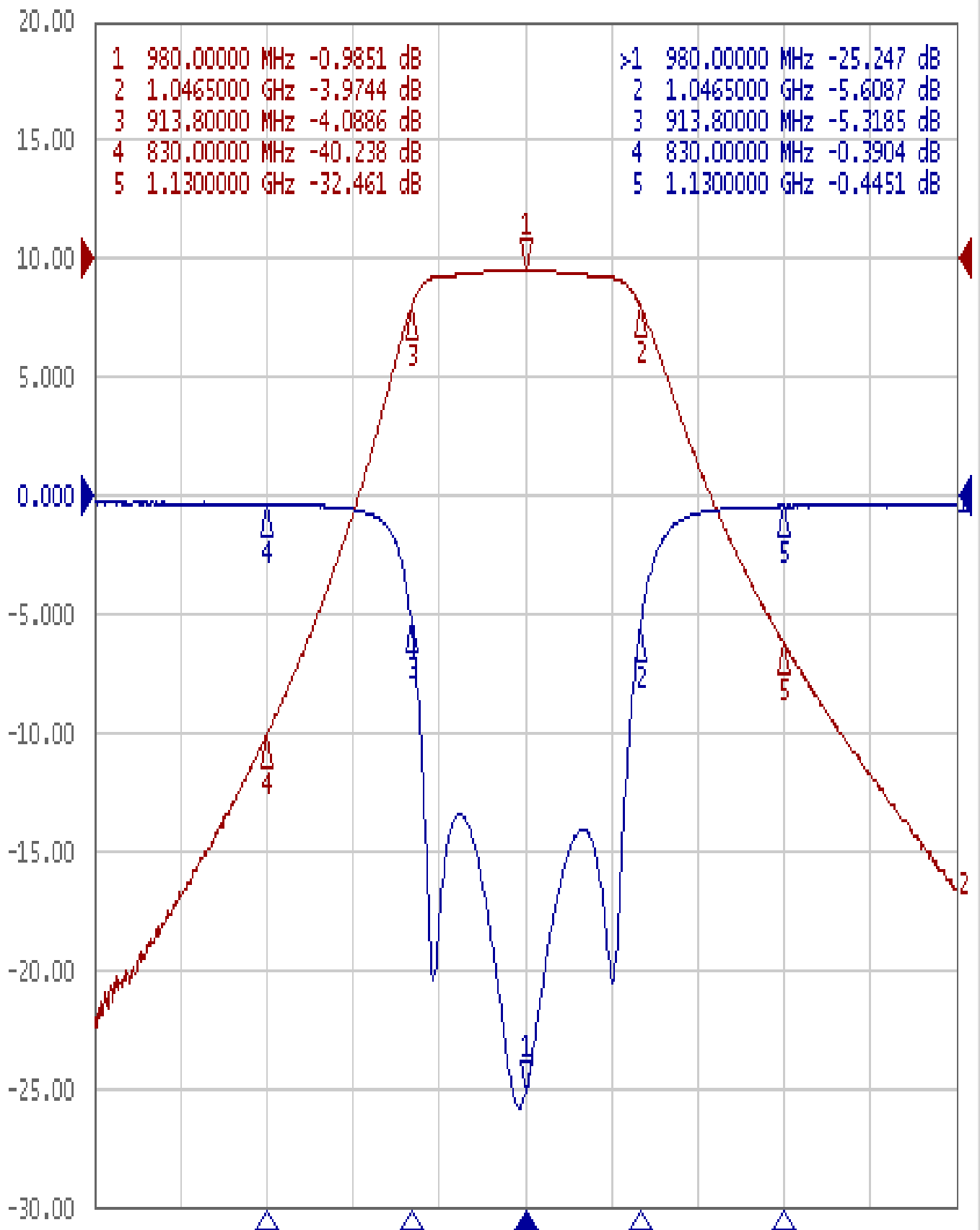
TEMWELL CORPORATION

Performance-TF64338F-980M

201504070C

Tr1 S11 Log Mag 5.000dB/ Ref 0.000dB [F2]

Tr2 S21 Log Mag 10.00dB/ Ref 0.000dB [F2]



1 Center 980 MHz

IFBW 70 kHz

Span 500 MHz Cor !