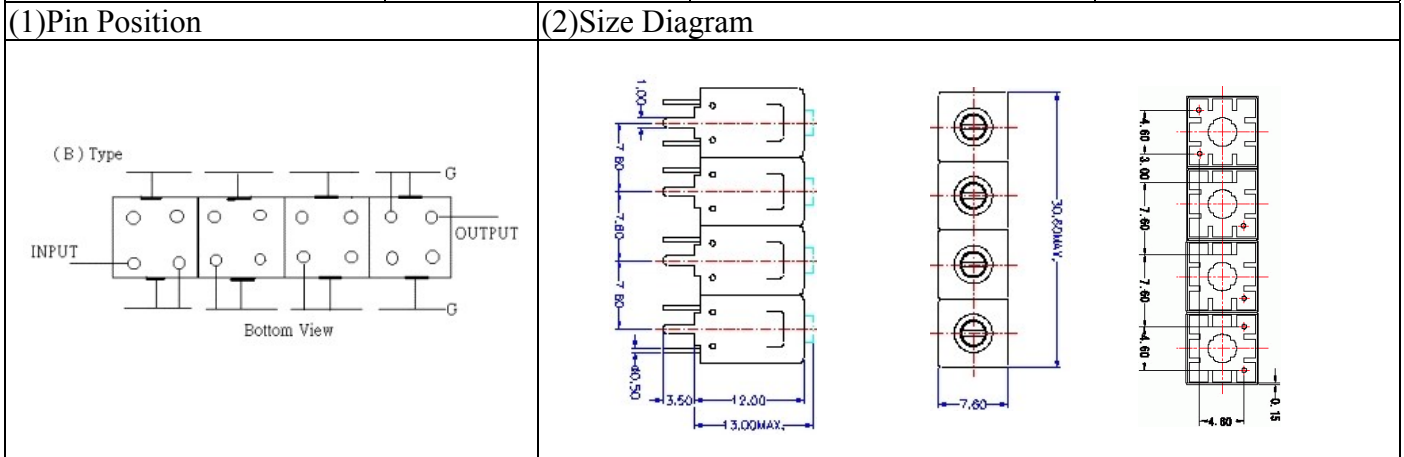


# VHF UHF Helical Filter Specification Sheet

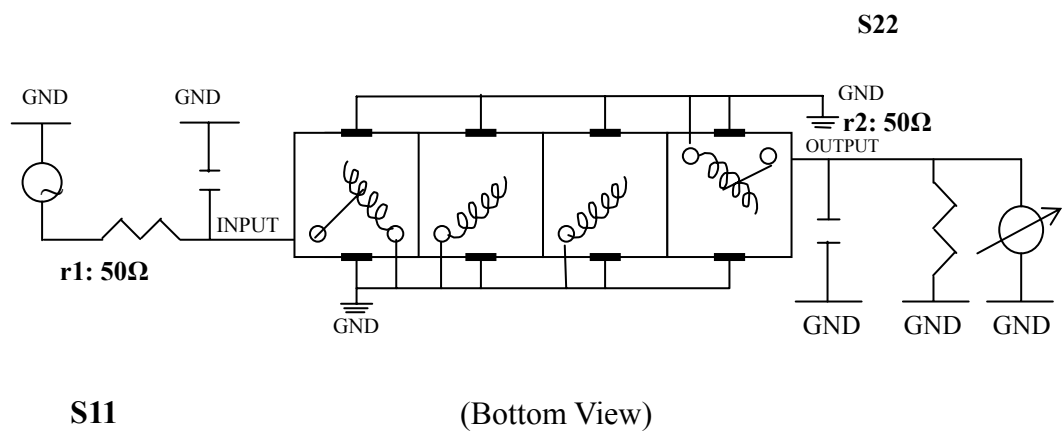
|                      |            |                       |                |
|----------------------|------------|-----------------------|----------------|
| Customer Name        |            | Temwell's Part No.    | TF64223B-288M  |
| Approval No. /dated  |            | Temwell's Print Name. | 64223B<br>288M |
| Work Instruction No. | 201504052C | Date                  | Feb.19.2016    |



**(3) Electric Characteristic**

| Item                         | Specify                      |
|------------------------------|------------------------------|
| Center Freq.(Fo) +/- 0.5 %   | 288 MHz                      |
| Insertion Loss               | Typ. 2.0 dB                  |
| -3 dB Bandwidth              | Typ. 80 MHz                  |
| Sensitivity<br>(Attenuation) | Fo - 100 MHz    Typ. 45 dBc  |
|                              | Fo + 100 MHz    Typ. 25 dBc  |
|                              | Fo - ( )MHz      Typ.    dBc |
|                              | Fo +( )MHz      Typ.    dBc  |
| Return Loss                  | Min. 12 dB                   |
| Ripple                       | < 1 dB                       |
| Impedance                    | In / Out : 50 Ω              |
| (4) Torque for Tuning Screw  | > 60gf cm                    |
| (5) Temperature Condition:   |                              |
| Operating Temperature        | 0 ~ +60                      |
| Storage Temperature          | -20 ~ +70                    |
| (6) Input Power              | > 1Watt                      |

(7) Measuring Circuit: Easy to match Impedance S11/S22 50Ω/ by parallel with about(--)



|           |            |           |                                 |
|-----------|------------|-----------|---------------------------------|
| Approval  | Supervisor | Designer  | Aperture size                   |
| C.Y.Chang | C.K.Chang  | C.S.Chang | 7H4S(4*8.0)(8.01)<br>7H046LB6.6 |

TEMWELL CORPORATION

# Performance-TF64223B-288M

## 201504052C

