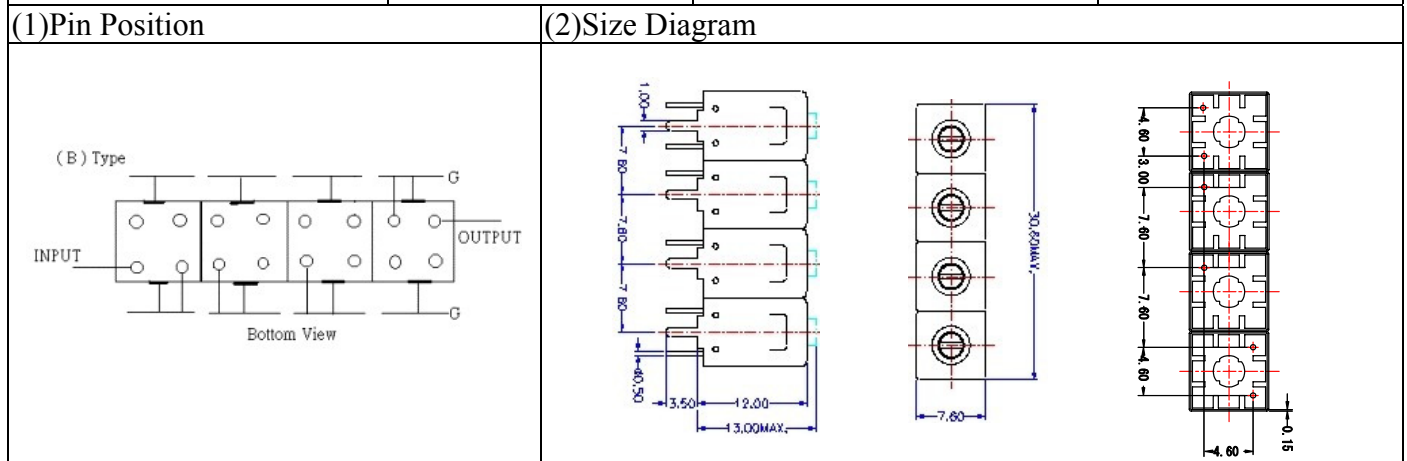


VHF UHF Helical Filter Specification Sheet

Customer Name		Temwell's Part No.	TF64214B-450M
Approval No. /dated		Temwell's Print Name	64214B 450M
Work Instruction No.	201504055C	Date	Jun.24.2015



(3)Electric Charasteric

Item	Specify	
Center Freq.(Fo) +/- 0.5 %	450	MHz
Insertion Loss	Typ. 1.5	dB
-3 dB Bandwidth	Typ. 110	MHz
Sensitivity (Attenuation)	Fo - 200 MHz	Typ. 59 dBc
	Fo + 200 MHz	Typ. 33 dBc
	Fo - ()MHz	Typ. dBc
	Fo +()MHz	Typ. dBc
Return Loss	Min. 12	dB
Ripple	< 1	dB
Impedance	In / Out : 50 Ω	

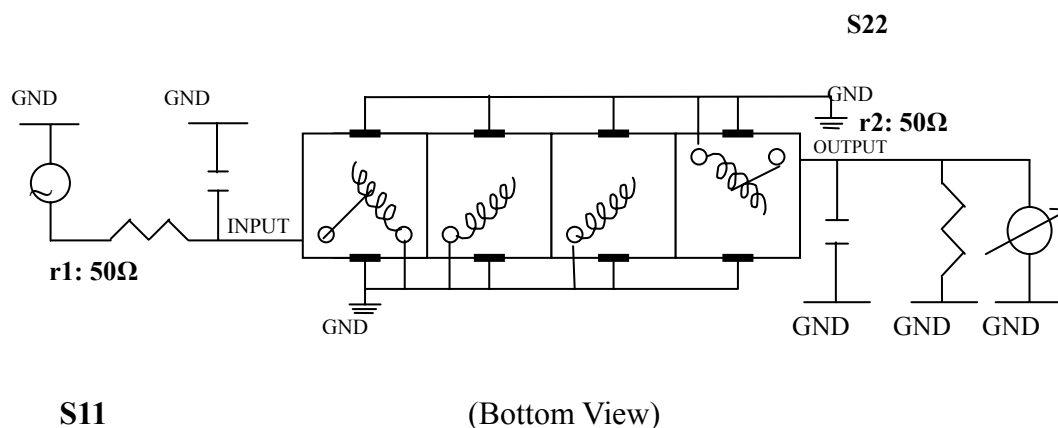
(4)Torque for Tuning Screw > 60gf · cm

(5)Temperature Condition:

Operating Temperature	0°C ~ +60°C
Storage Temperature	-20°C ~ +70°C

(6)Input Power > 1Watt

(7)Measuring Circuit: ※Easy to match Impedance S11/S22 50Ω by parallel with about(- -).

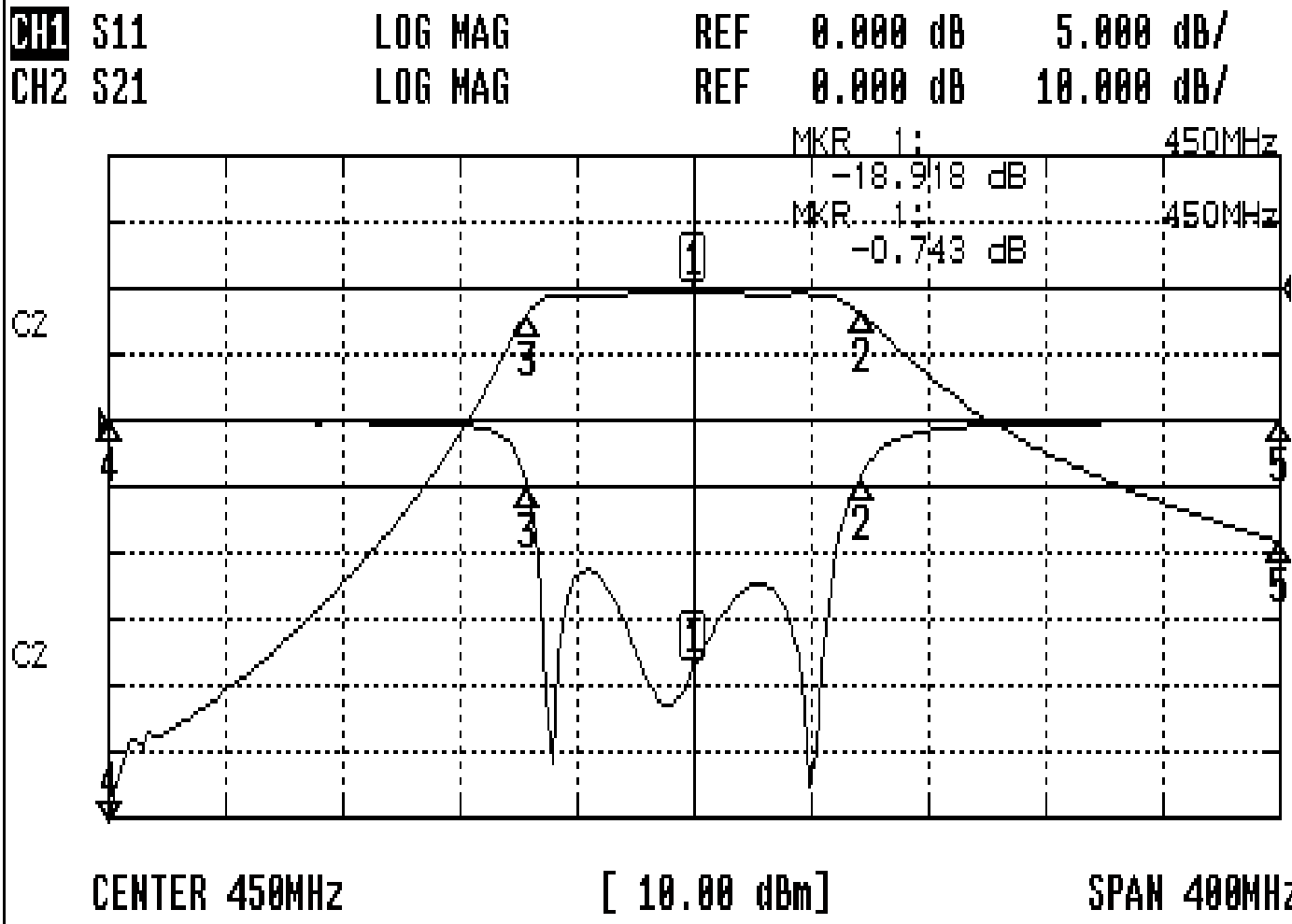


Approval	Supervisor	Designer	Aperture size
C.Y.Chang	C.S.Chang	C.S.Chang	7H4S(4*8.0)(8.01) 7H046RB6.5

TEMWELL CORPORATION

Performance-TF64214B-450M

201504055C



CH1 MARKER LIST

1:	450.000MHz	-18.918	dB
2:	507.000MHz	-4.191	dB
3:	393.333MHz	-0.026	dB
4:	250.000MHz	-0.095	dB
5:	650.000MHz	-0.074	dB

CH2 MARKER LIST

1:	450.000MHz	-0.743	dB
2:	507.000MHz	-1.774	dB
3:	393.333MHz	-0.724	dB
4:	250.000MHz	-0.757	dB
5:	650.000MHz	-38.328	dB