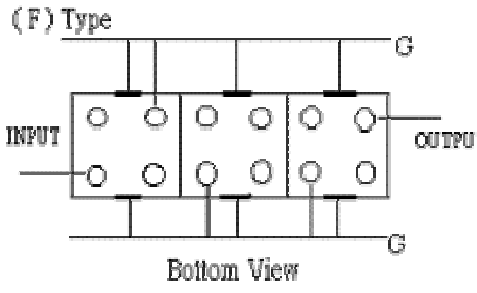
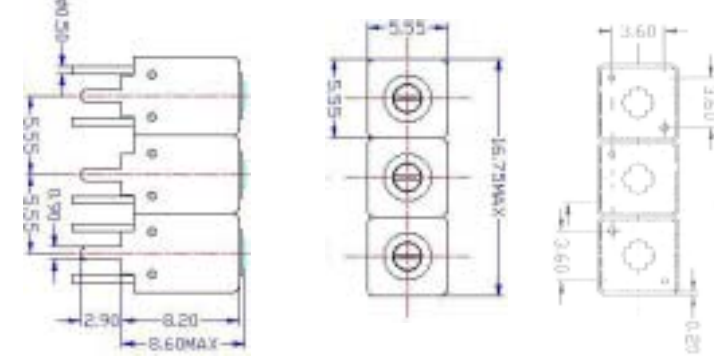


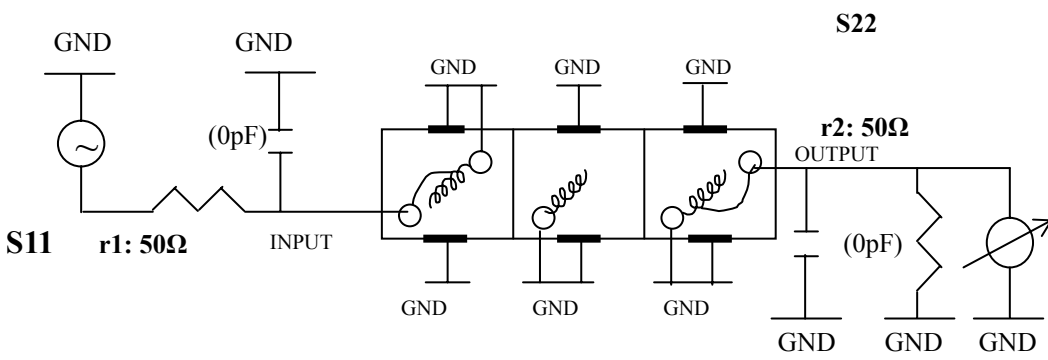
VHF UHF Helical Filter Specification Sheet

Customer Name		Temwell's Part No.	TTWL3634F-614M
Approval No. /dated	20507014APR	Temwell's Print Name.	3634F 614M
Work Instruction No.	0604046C	Date	May.05.2006

<p>(1) Pin Position</p>  <p style="text-align: center;">Bottom View</p>	<p>(2) Size Diagram</p> 
--	--

(3) Electric Characteristic	
Item	Specify
Center Freq.(Fo) +/- 0.5 %	614 MHz
Tunable Range:	614±5 MHz
Insertion Loss	Typ. 3.0 dB
-1dB Bandwidth	Typ. 24 MHz
Sensitivity (Attenuation)	Fo - 70 MHz Typ. 38 dBc
	Fo + 70 MHz Typ. 38 dBc
	Fo - ()MHz Typ. dBc
	Fo +()MHz Typ. dBc
Return Loss	S11 At 602MHz~626MHz Min. 11 dB
	S22 At 602MHz~626MHz Min. 11 dB
Ripple	< 1 dB
Impedance	In / Out : 75 Ω
(4) Torque for Tuning Screw	
> 60gf cm	
(5) Temperature Condition:	
Operating Temperature	0 ~ +60
Storage Temperature	-20 ~ +70
(6) Input Power	
> 1Watt	

(7) Measuring Circuit: Easy to match Impedance S11/S22 75Ω by parallel with about (0 pF) / (0 pF).



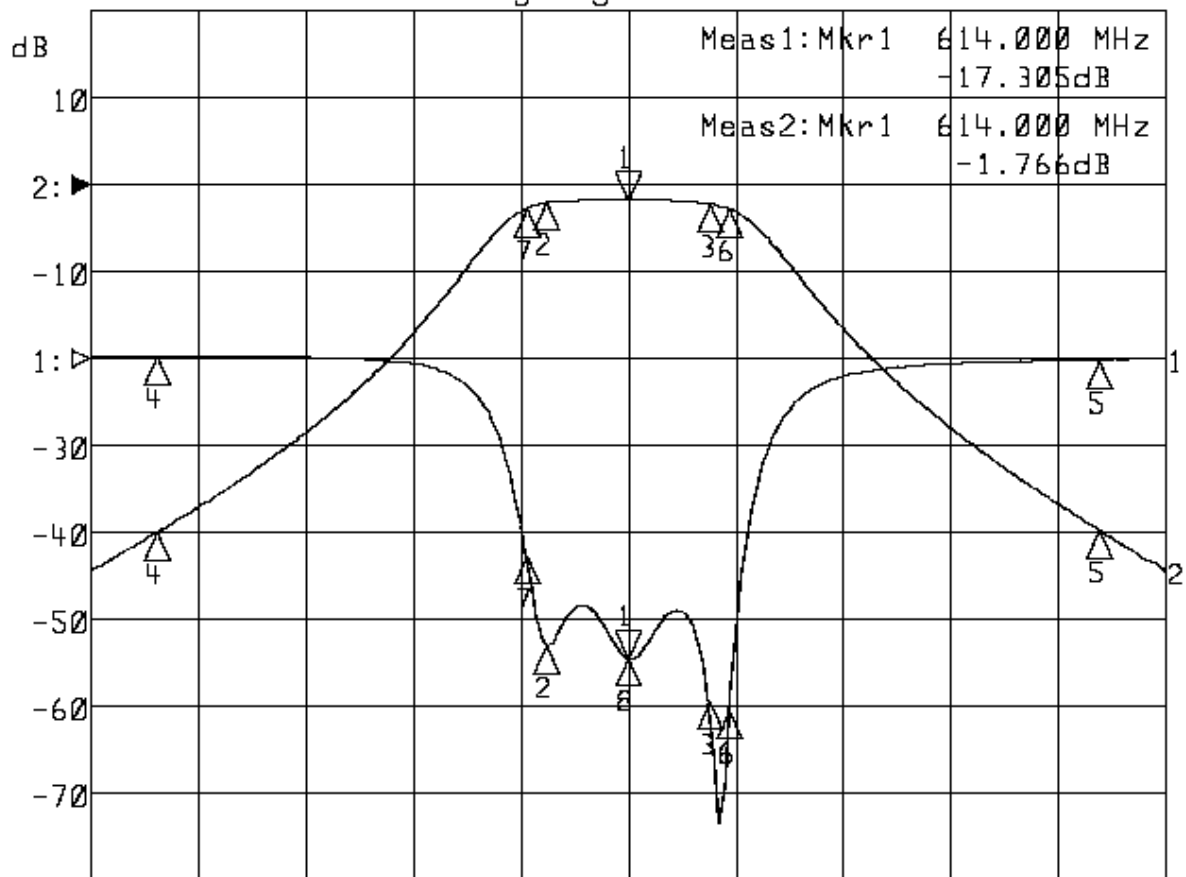
(Bottom View)

Approval	Supervisor	Designer	Aperture size
C. Y. Chang	C. S. Chang	J. F. Lin	5W3(3.8*4.0)(4.10) 5HW024RB3
TEMWELL CORPORATION			

Performance-TTWL3634F-614M

0604046C

▽1: S11 Refl Port1 Log Mag 5.0 dB/ Ref 0.00 dB C
 ▽2: S21 Fwd Trans Log Mag 10.0 dB/ Ref 0.00 dB C



Center 614.000 MHz

Span 160.000 MHz

1: Mkr (MHz)	dB	2: Mkr (MHz)	dB
1 > 614.0000	-17.305	1 > 614.0000	-1.766
2: 602.0000	-16.529	2: 602.0000	-2.057
3: 626.0000	-19.717	3: 626.0000	-2.145
4: 544.0000	0.089	4: 544.0000	-39.936
5: 684.0000	-0.082	5: 684.0000	-39.689
6: 629.0400	-20.260	6: 629.0400	-2.733
7: 598.8533	-11.329	7: 598.8533	-2.758
8: 614.0000	-17.305		