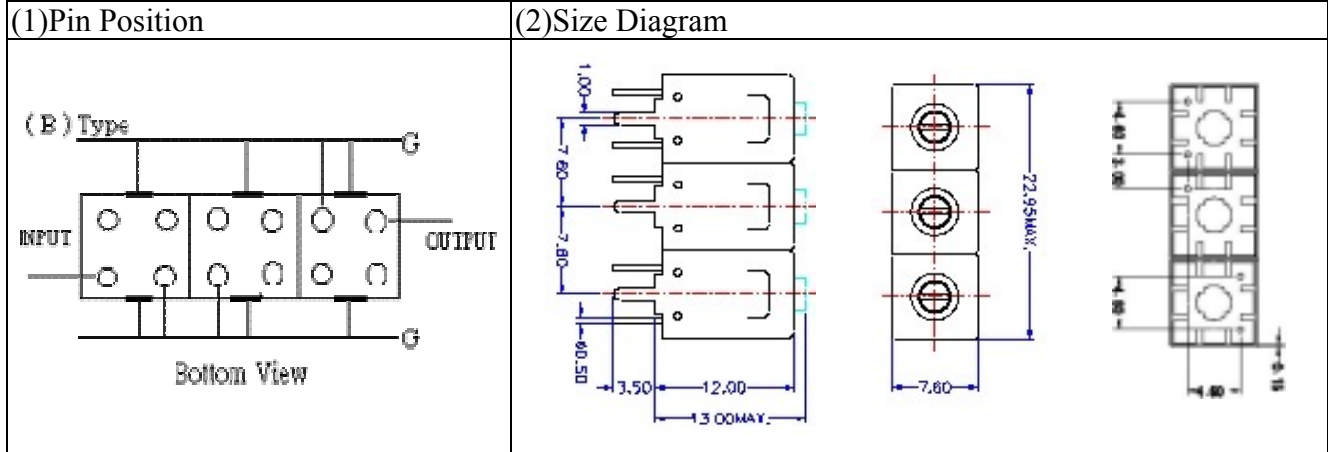


VHF UHF Helical Filter Specification Sheet

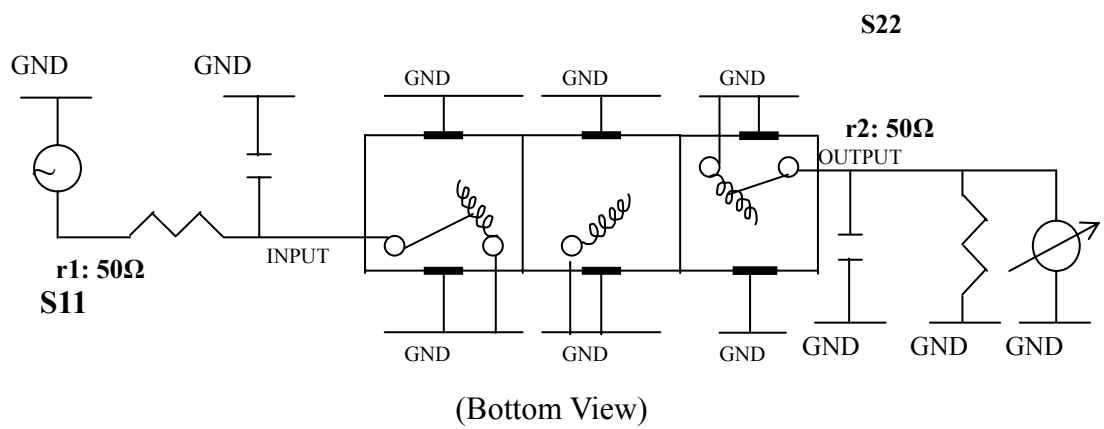
Customer Name		Temwell's Part No.	TTL6334B-569M
Approval No. /dated	201107106CD	Temwell's Print name.	6334B 569M
Work Instruction No.	201107106CD	Date	Jun.14.2011



(3) Electric Charasteric

Item	Specify	
Center Freq.(Fo) +/- 0.5 %	569	MHz
Insertion Loss	Typ. 5.5	dB
-3 dB Bandwidth	Typ. 6	MHz
Sensitivity (Attenuation)	Fo - 15 MHz	Typ. 23 dB
	Fo + 15 MHz	Typ. 18 dB
	Fo - () MHz	Typ. dB
	Fo + () MHz	Typ. dB
Return Loss	Min. 12	dB
Ripple	< 1	dB
Impedance	In / Out : 75 Ω	
(4)Torque for Tuning Screw	> 60gf cm	
(5)Temperature Condition:		
Operating Temperature	0 ~ +60	
Storage Temperature	-20 ~ +70	
(6)Input Power	> 1Watt	

(7)Measuring Circuit: Easy to match Impedance S11/S22 50Ωby parallel with about(--).



Approval C.Y.Chang	Supervisor C.K.Chang	Designer P.H.Chiang	Aperture size 7H3S(4*5.35)(5.40) 7H046LB4.3 聚 3-K
-----------------------	-------------------------	------------------------	---

TEMWELL CORPORATION

Performance-TTL6334B-569M

201107106CD

Tr1 S11 Log Mag 5.000dB/ Ref 0.000dB [F2]
Tr2 S21 Log Mag 10.00dB/ Ref 0.000dB [F2]

