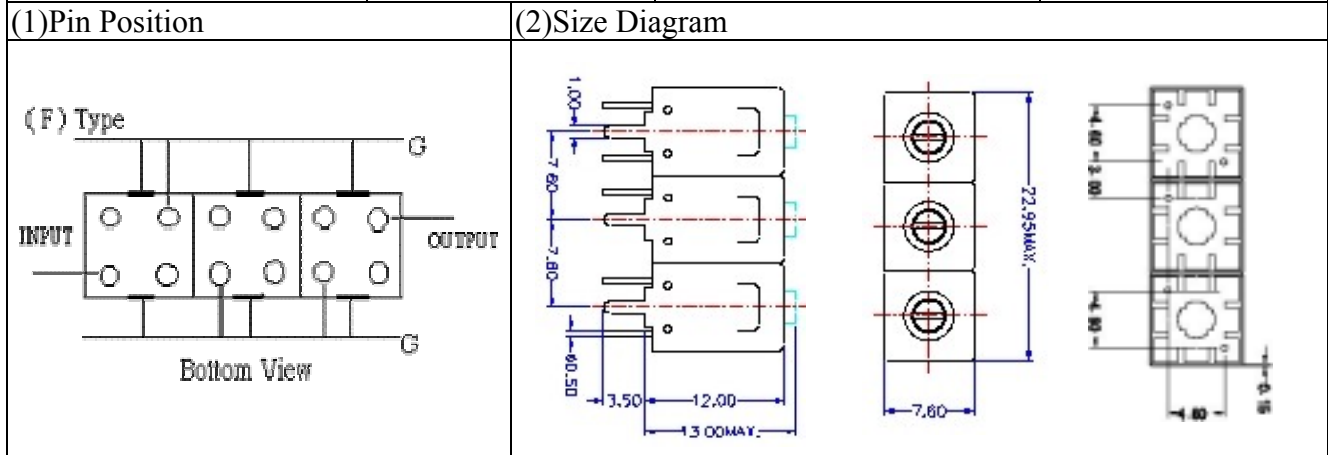


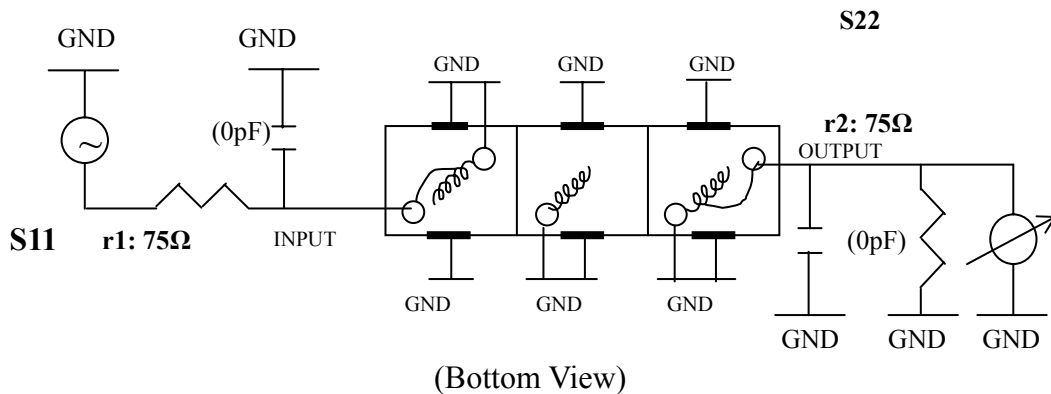
VHF UHF Helical Filter Specification Sheet

Customer Name		Temwell's Part No.	TTL6328F-593M
Approval No. /dated	0711103APR	Temwell's print name	6328F 593M
Work Instruction No.	0711103C	Date	Dec.24.2007



(3) Electric Characteristic		Item	Specify
		Center Freq.(Fo) +/- 0.5 %	593 MHz
		Tunable Range:	593±5 MHz
		Insertion Loss	Typ. 6.0 dB
		-3 dB Bandwidth	Typ. 6 MHz
Sensitivity (Attenuation)	Fo - 15 MHz	Typ.	30 dB
	Fo + 15 MHz	Typ.	25 dB
	Fo - ()MHz	Typ.	dB
	Fo +()MHz	Typ.	dB
		Return Loss	Min. 12 dB
		Ripple	< 1 dB
		Impedance	In / Out : 75 Ω
(4) Torque for Tuning Screw		> 60gf cm	
(5) Temperature Condition:			
Operating Temperature		0 ~ +60	
Storage Temperature		-20 ~ +70	
(6) Input Power		> 1 Watt	

(7) Measuring Circuit: Easy to match Impedance S11/S22 75Ω by parallel with about(0pF) / (0pF).



Approval	Supervisor	Designer	Aperture size
C.Y.Chang	C.S.Chang	J.F.Lin	7H3(4*4.65)F 7H046LB4 聚 3
TEMWELL CORPORATION			

Performance-TTL6328F-593M

0711103C

