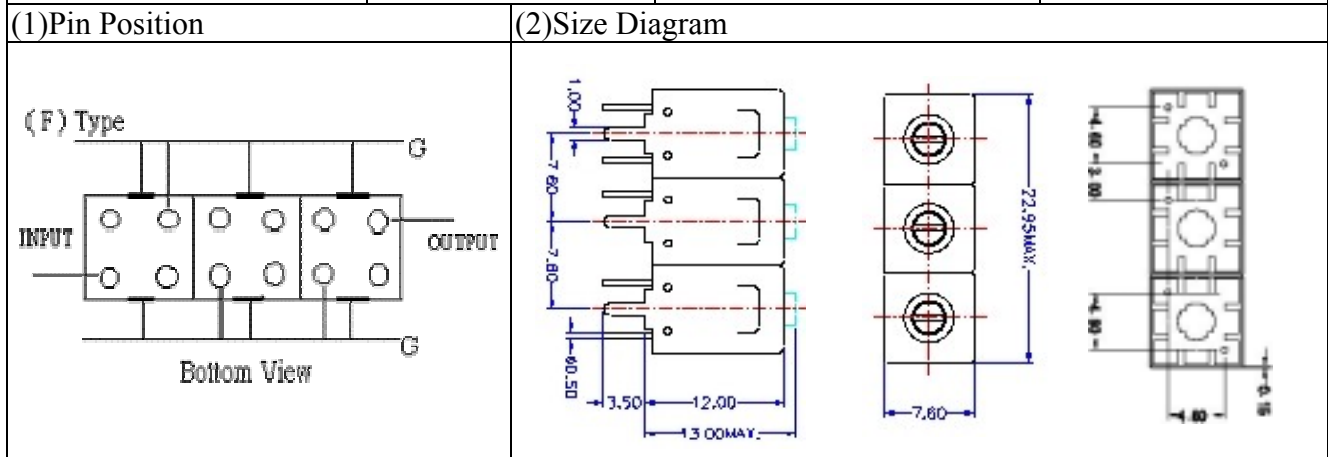
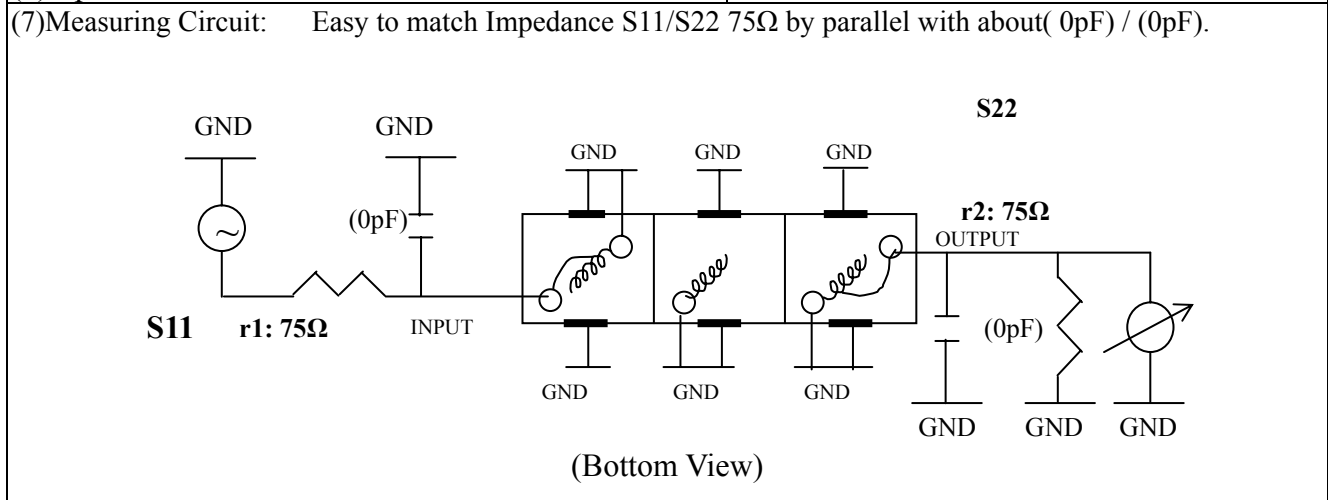


VHF UHF Helical Filter Specification Sheet

Customer Name		Temwell's Part No.	TTL6326F-557M
Approval No. /dated	0711101APR	Temwell's print name	6326F 557M
Work Instruction No.	0711101C	Date	Dec.21.2007



(3) Electric Characteristic	
Item	Specify
Center Freq.(Fo) +/- 0.5 %	557 MHz
Tunable Range:	557±5 MHz
Insertion Loss	Typ. 6.0 dB
-3 dB Bandwidth	Typ. 6 MHz
Sensitivity (Attenuation)	Fo - 15 MHz Typ. 28 dB
	Fo + 15 MHz Typ. 23 dB
	Fo - ()MHz Typ. dB
	Fo +()MHz Typ. dB
Return Loss	Min. 12 dB
Ripple	< 1 dB
Impedance	In / Out : 75 Ω
(4) Torque for Tuning Screw > 60gf cm	
(5) Temperature Condition:	
Operating Temperature	0 ~ +60
Storage Temperature	-20 ~ +70
(6) Input Power > 1Watt	



Approval	Supervisor	Designer	Aperture size
C.Y.Chang	C.S.Chang	J.F.Lin	7H3(4*4.65)F 7H046LB4 聚 3
TEMWELL CORPORATION			

Performance-TTL6326F-557M

0711101C

