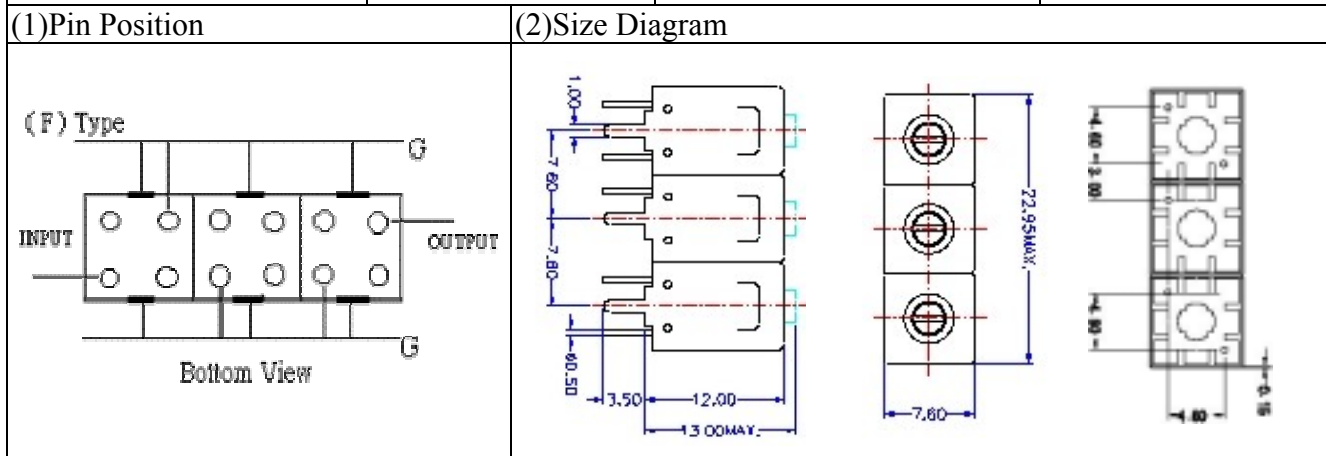


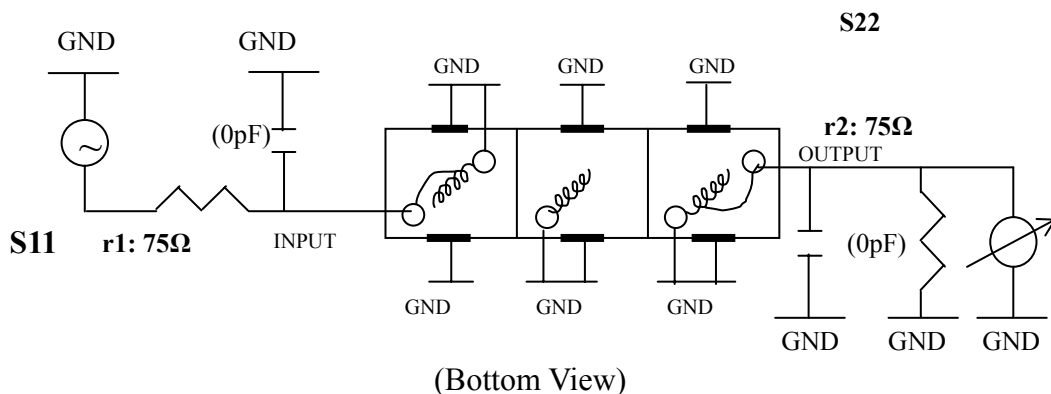
VHF UHF Helical Filter Specification Sheet

Customer Name		Temwell's Part No.	TTL63258F-199.25M
Approval No. /dated	200811105C	Temwell's print name	63258F 199.25M
Work Instruction No.	200811105C	Date	Dec.25.2008



(3) Electric Charasteric	
Item	Specify
Center Freq.(Fo) +/- 0.5 %	199.25 MHz
Insertion Loss	Typ. 4.0 dB
-3 dB Bandwidth	Typ. 6 MHz
Sensitivity (Attenuation)	Fo - 15 MHz Typ. 31 dB
	Fo + 15 MHz Typ. 24 dB
	Fo - ()MHz Typ. dB
	Fo +()MHz Typ. dB
Return Loss	Min. 12 dB
Ripple	< 1 dB
Impedance	In / Out : 75 Ω
(4) Torque for Tuning Screw > 100gf cm	
(5) Temperature Condition:	
Operating Temperature	0 ~ +60
Storage Temperature	-20 ~ +70
(6) Input Power > 1Watt	

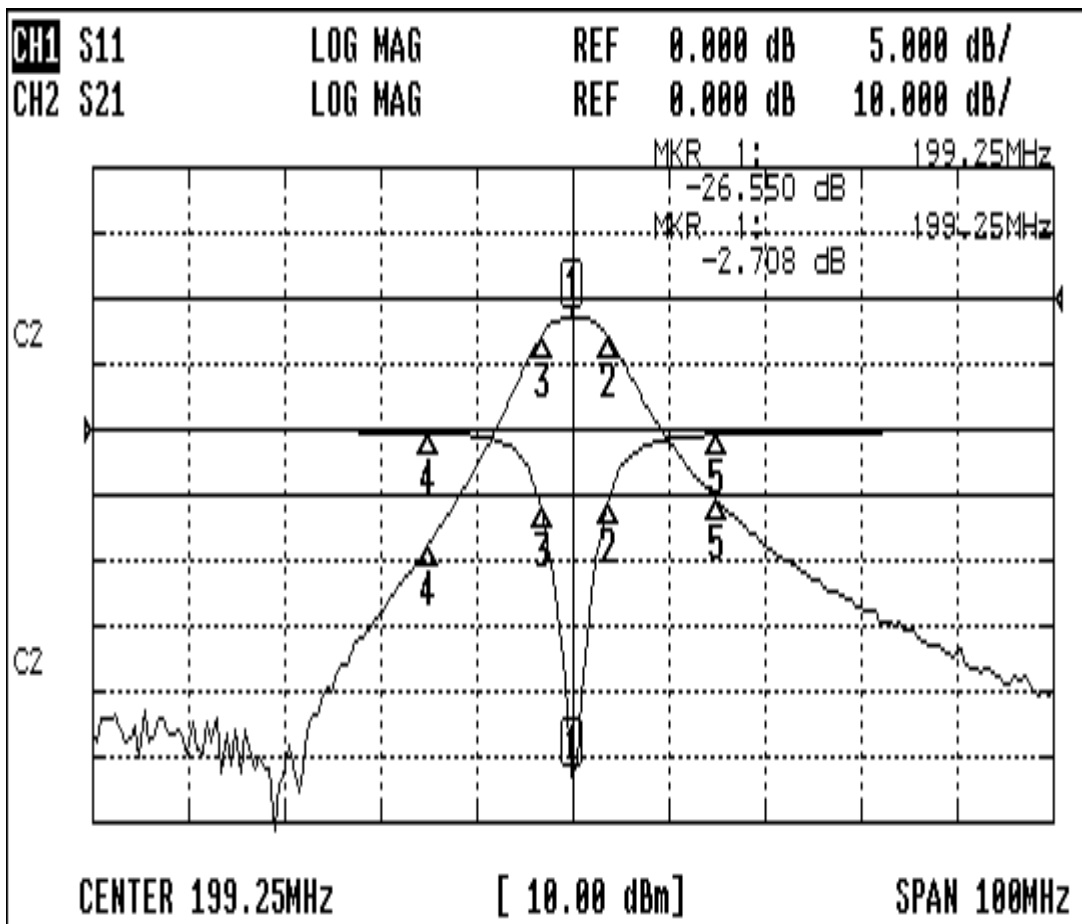
(7) Measuring Circuit: Easy to match Impedance S11/S22 75Ω by parallel with about(0pF) / (0pF).



Approval C.Y.Chang	Supervisor C.S.Chang	Designer C.H.Yeh	Aperture size 7H3S(4*5.5F)(5.51) 7H024LB4
TEMWELL CORPORATION			

Performace-TTL63258F-199.25M

200811105C



CH1 MARKER LIST

1:	199.250MHz	-26.550 dB
2:	203.000MHz	-5.438 dB
3:	196.000MHz	-5.932 dB
4:	184.250MHz	-0.236 dB
5:	214.250MHz	-0.388 dB
6:		
7:		
8:		
9:		
10:		

CH2 MARKER LIST

1:	199.250MHz	-2.701 dB
2:	203.000MHz	-5.823 dB
3:	196.000MHz	-5.727 dB
4:	184.250MHz	-37.740 dB
5:	214.250MHz	-30.667 dB
6:		
7:		
8:		
9:		
10:		