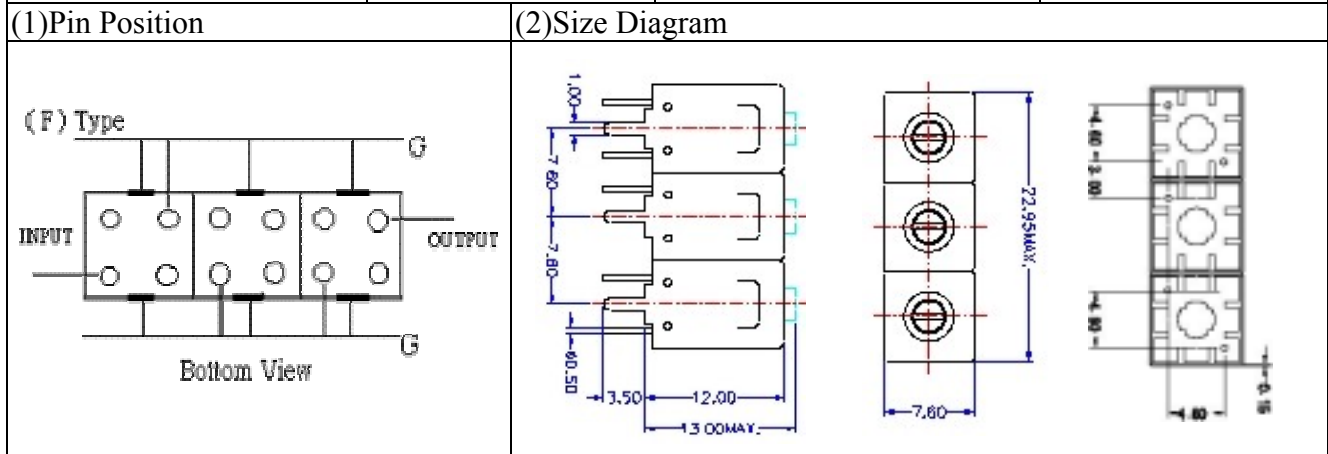


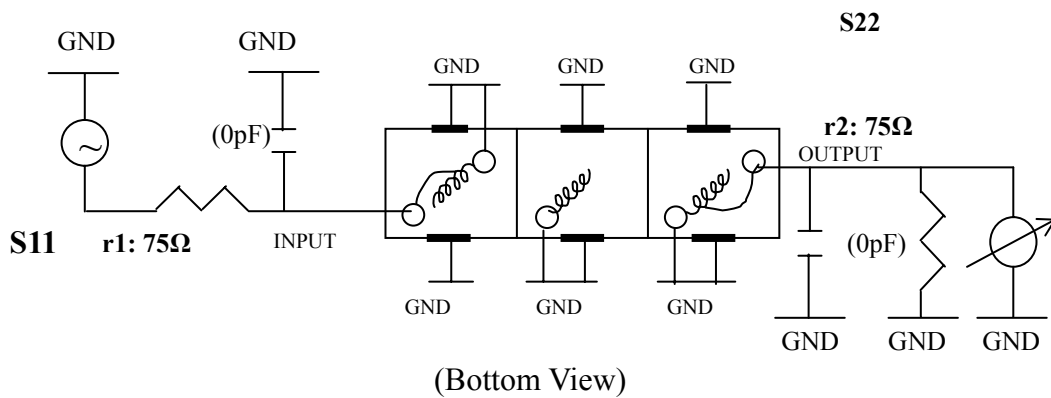
VHF UHF Helical Filter Specification Sheet

| | | | |
|----------------------|------------|----------------------|-------------------|
| Customer Name | | Temwell's Part No. | TTL63255F-181.25M |
| Approval No. /dated | 0811103C | Temwell's print name | 63255F 181.25M |
| Work Instruction No. | 200811103C | Date | Dec.05.2008 |



| (3) Electric Charasteric | | Item | Specify |
|------------------------------|-------------|-----------------------------|-----------------|
| | | Center Freq.(Fo) +/- 0.5 % | 181.25 MHz |
| | | Insertion Loss | Typ. 3.5 dB |
| | | -3 dB Bandwidth | Typ. 6 MHz |
| Sensitivity (Attenuation) | Fo - 15 MHz | Typ. 33 dB | |
| | Fo + 15 MHz | Typ. 25 dB | |
| | Fo - ()MHz | Typ. dB | |
| | Fo +()MHz | Typ. dB | |
| | | Return Loss | Min. 12 dB |
| | | Ripple | < 1 dB |
| | | Impedance | In / Out : 75 Ω |
| (4) Torque for Tuning Screw | | > 100gf cm | |
| (5) Temperature Condition: | | | |
| Operating Temperature | | 0 ~ +60 | |
| Storage Temperature | | -20 ~ +70 | |
| (6) Input Power | | > 1Watt | |

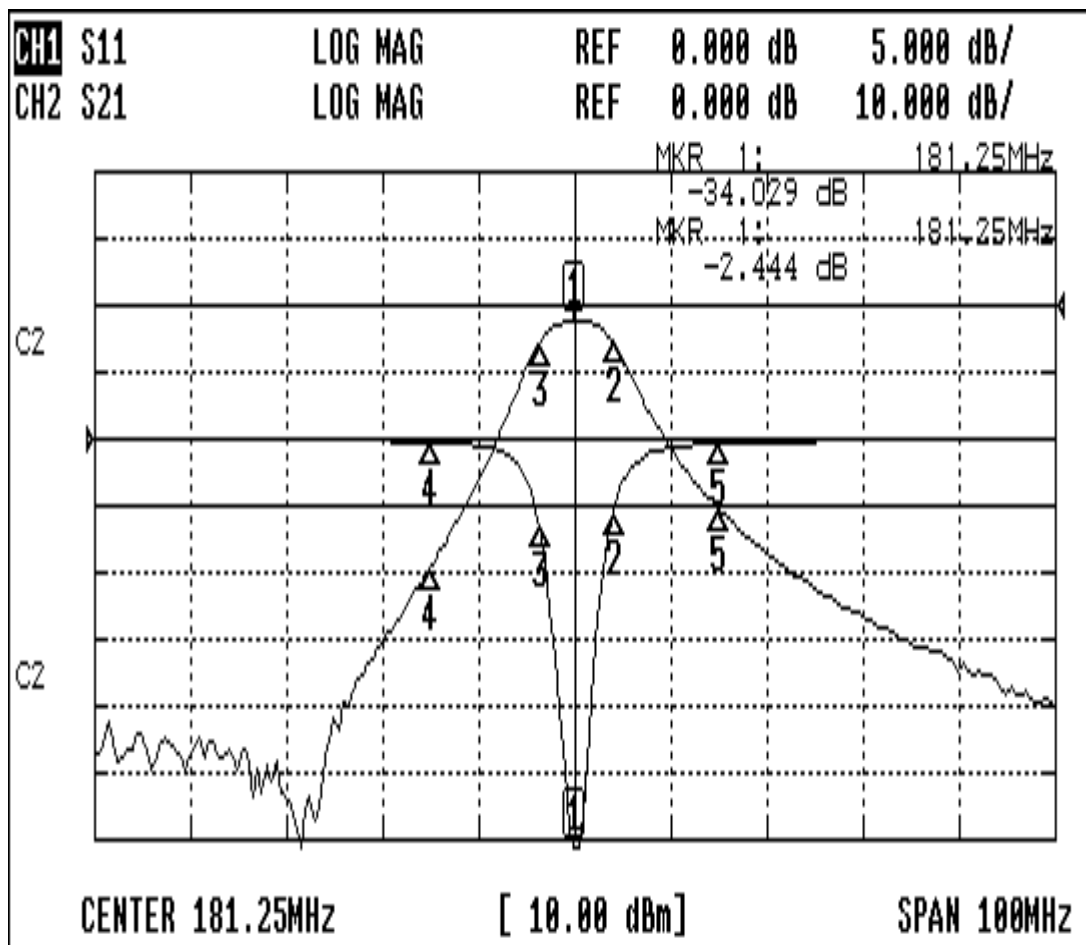
(7) Measuring Circuit: Easy to match Impedance S11/S22 75Ω by parallel with about(0pF) / (0pF).



| | | | |
|-----------------------|-------------------------|---------------------|--|
| Approval C.Y.Chang | Supervisor C.S.Chang | Designer C.H.Yeh | Aperture size 7H3S(4*6.35F) 7H024LB4 |
| TEMWELL CORPORATION | | | |

Performance-TTL63255F-181.25M

200811103C



CH1 MARKER LIST

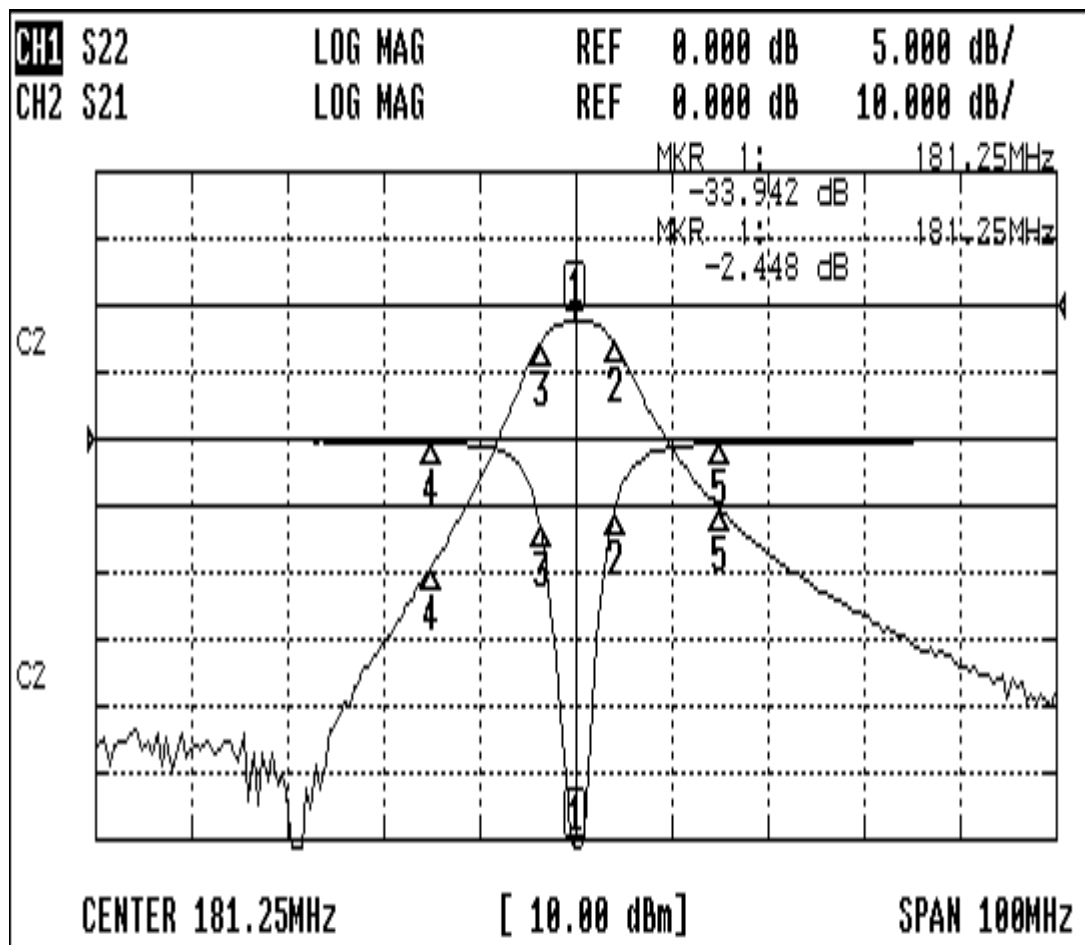
| | | |
|-----|------------|------------|
| 1: | 181.250MHz | -34.029 dB |
| 2: | 185.250MHz | -5.675 dB |
| 3: | 177.583MHz | -6.481 dB |
| 4: | 166.250MHz | -0.225 dB |
| 5: | 196.250MHz | -0.301 dB |
| 6: | | |
| 7: | | |
| 8: | | |
| 9: | | |
| 10: | | |

CH2 MARKER LIST

| | | |
|-----|------------|------------|
| 1: | 181.250MHz | -2.444 dB |
| 2: | 185.250MHz | -5.422 dB |
| 3: | 177.583MHz | -5.429 dB |
| 4: | 166.250MHz | -39.123 dB |
| 5: | 196.250MHz | -30.499 dB |
| 6: | | |
| 7: | | |
| 8: | | |
| 9: | | |
| 10: | | |

Performance-TTL63255F-181.25M

200811103C



CH1 MARKER LIST

| | | |
|-----|------------|------------|
| 1: | 181.250MHz | -33.942 dB |
| 2: | 185.250MHz | -5.633 dB |
| 3: | 177.583MHz | -6.529 dB |
| 4: | 166.250MHz | -0.263 dB |
| 5: | 196.250MHz | -0.334 dB |
| 6: | | |
| 7: | | |
| 8: | | |
| 9: | | |
| 10: | | |

CH2 MARKER LIST

| | | |
|-----|------------|------------|
| 1: | 181.250MHz | -2.447 dB |
| 2: | 185.250MHz | -5.408 dB |
| 3: | 177.583MHz | -5.436 dB |
| 4: | 166.250MHz | -39.132 dB |
| 5: | 196.250MHz | -30.433 dB |
| 6: | | |
| 7: | | |
| 8: | | |
| 9: | | |
| 10: | | |