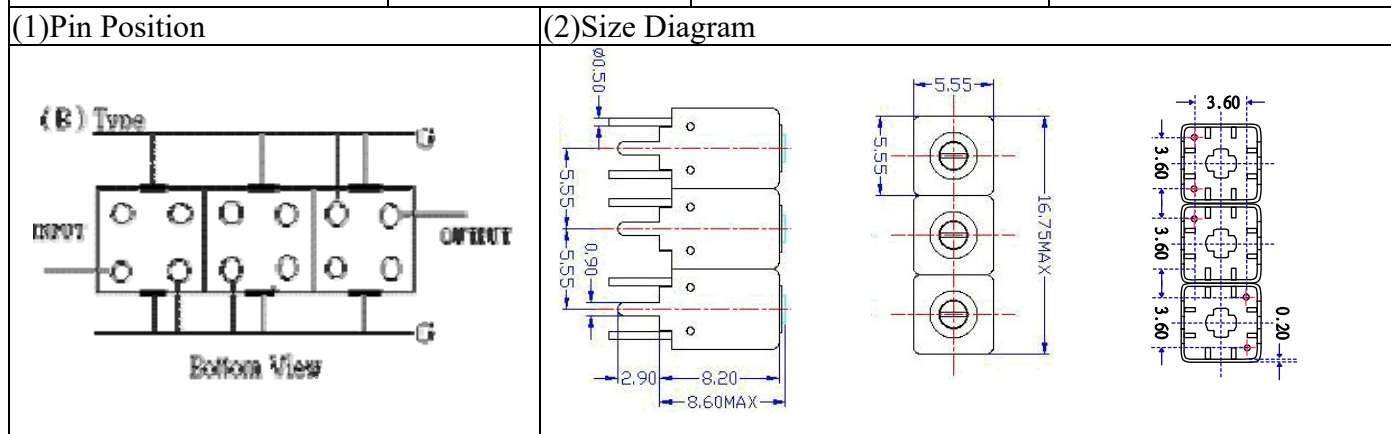


VHF UHF Helical Filter Specification Sheet

Customer Name		Temwell's Part No.	TTW3985B-560M
Approval No. /dated		Temwell's Print Name.	3985B 560M
Work Instruction No.	201411009BD	Date	Nov.13.2014



(3)Electric Character		Item	Specify
Center Freq.(Fo) +/- 0.5 %			560 MHz
Insertion Loss		Typ.	5.0 dB
-3 dB Bandwidth		Typ.	8 MHz
Sensitivity (Attenuation)	Fo - 15 MHz	Typ.	10 dB
	Fo + 20 MHz	Typ.	10 dB
	Fo - MHz	Typ.	dB
	Fo + MHz	Typ.	dB
Return Loss		Min.	12 dB
Ripple			< 1 dB
Impedance			In / Out : 50 Ω

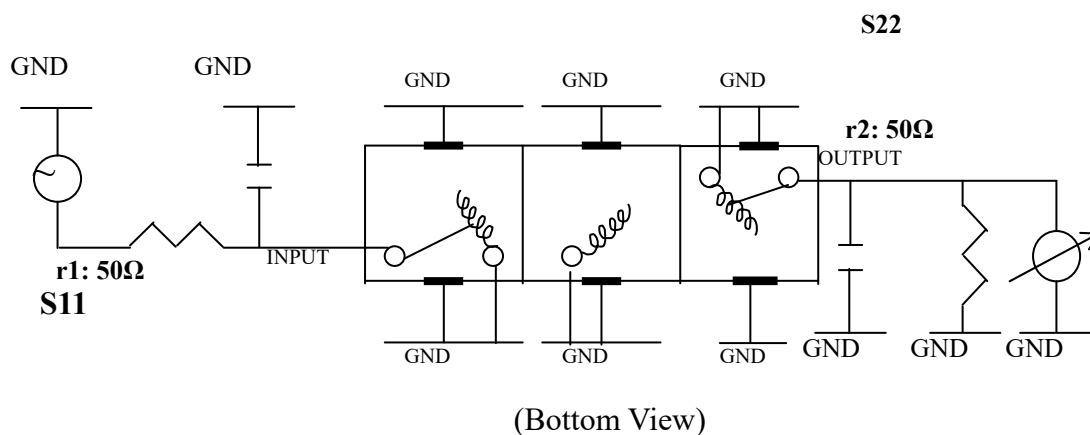
(4)Torque for Tuning Screw > 60gf · cm

(5)Temperature Condition:

Operating Temperature	0°C ~ +60°C
Storage Temperature	-20°C ~ +70°C

(6)Input Power > 0.5Watt

(7)Measuring Circuit: ※Easy to match Impedance S11/S22 50Ω by parallel with about(- -).

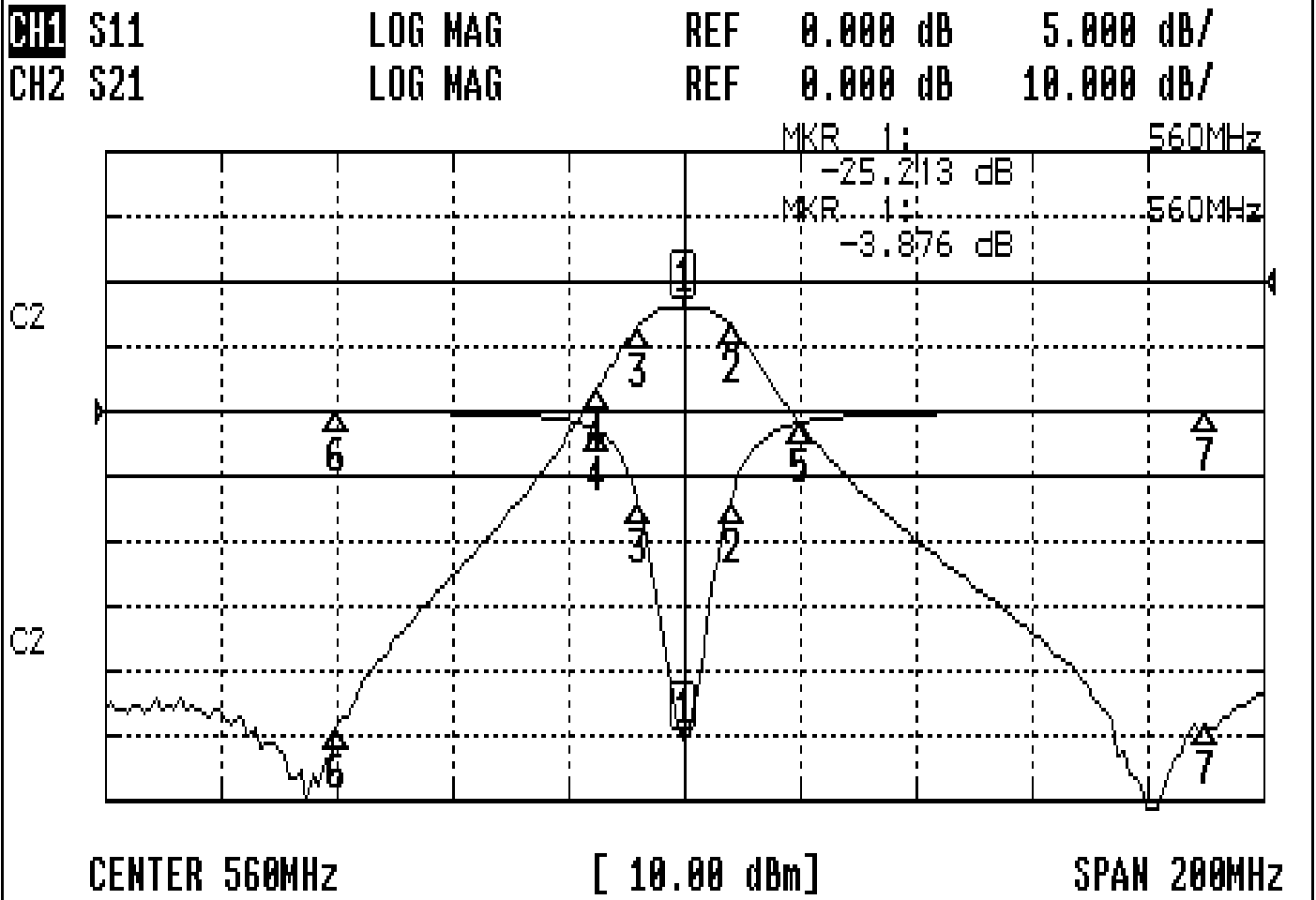


Approval	Supervisor	Designer	Aperture size
C.Y.Chang	C.K.Chang	M.Y.Kang	5W3S(3.8*4.0)(4.10) 5HW024LB3 (J1)

TEMWELL CORPORATION

Performance-TTW3985B-560M

201411009BD



CH1 MARKER LIST

Marker	Frequency (MHz)	Magnitude (dB)
1	560.000	-25.213
2	568.120	-6.833
3	552.100	-6.996
4	545.000	-1.505
5	580.000	-0.900
6	500.000	-0.054
7	650.000	0.009

CH2 MARKER LIST

Marker	Frequency (MHz)	Magnitude (dB)
1	560.000	-3.876
2	568.120	-6.862
3	552.100	-6.869
4	545.000	-16.731
5	580.000	-21.748
6	500.000	-68.773
7	650.000	-68.938