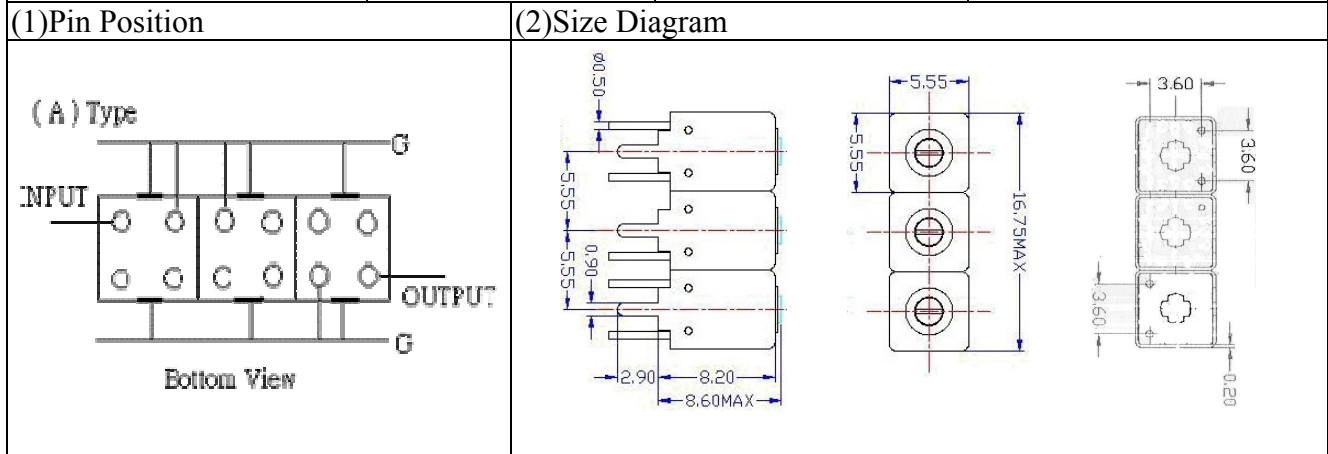
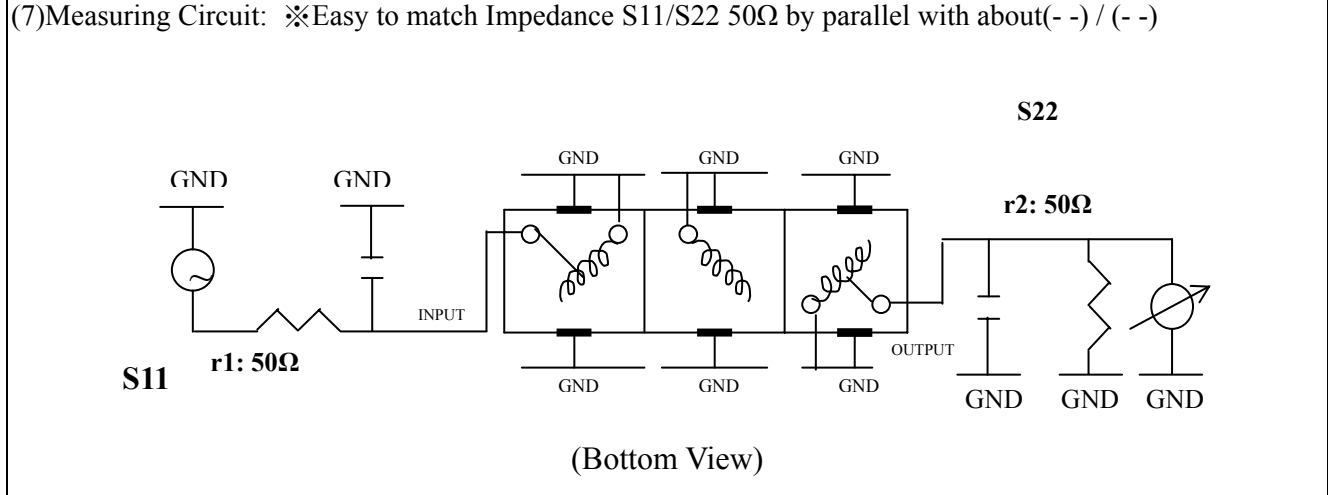


# VHF UHF Helical Filter Specification Sheet

Customer Name		Temwell's Part No.	TTW3895A-395M
Approval No. /dated		Temwell's Print Name.	3895B 395M
Work Instruction No.	201212033C	Date	Feb.20.2013



(3) Electric Characteristic	
Item	Specify
Center Freq.(Fo) +/- 0.5 %	395 MHz
Insertion Loss	Typ. 3.5 dB
-3 dB Bandwidth	Typ. 20 MHz
Sensitivity (Attenuation)	Fo -50 MHz Typ. 38 dBc
	Fo +50 MHz Typ. 35 dBc
	Fo -( )MHz Typ. dBc
	Fo +( )MHz Typ. dBc
Return Loss	Min. 12 dB
Ripple	< 1 dB
Impedance	In / Out : 50Ω
(4) Torque for Tuning Screw	> 60gf • cm
(5) Temperature Condition:	
Operating Temperature	0°C ~ +60°C
Storage Temperature	-20°C ~ +70°C
(6) Input Power	>0.5Watt

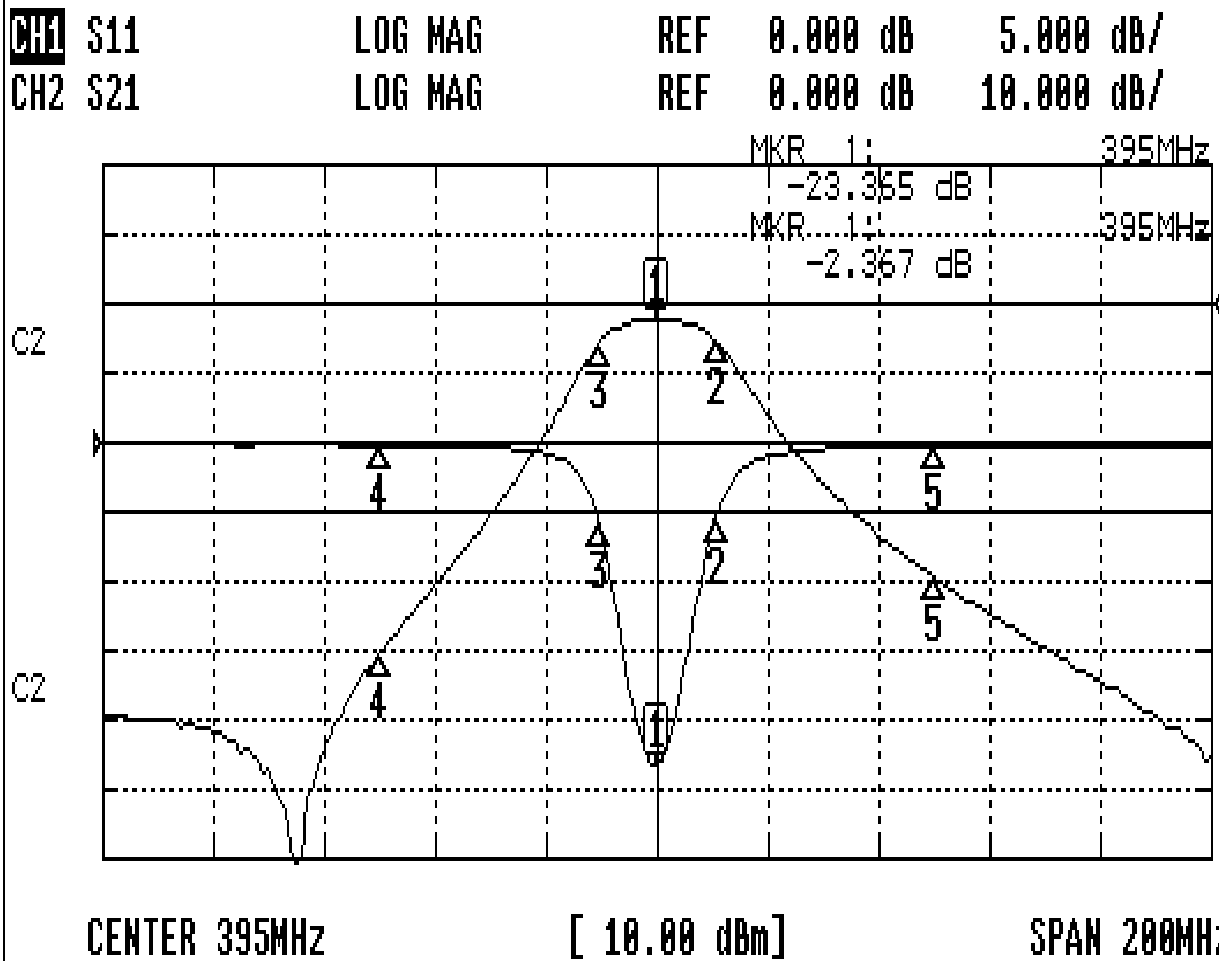


Approval	Supervisor	Designer	Aperture size
C.Y.Chang	C.K.Chang	P.H.Chiang	5W3S(3.8*4.0)(4.08) 5HW020RB3.5

TEMWELL CORPORATION

# Performance-TTW3895A-395M

## 201212033C



### CH1 MARKER LIST

1	395.000MHz	-23.365	dB
2	405.666MHz	-5.443	dB
3	384.833MHz	-6.048	dB
4	345.000MHz	-0.175	dB
5	445.000MHz	-0.260	dB

### CH2 MARKER LIST

1	395.000MHz	-2.368	dB
2	405.666MHz	5.991	dB
3	384.833MHz	5.700	dB
4	345.000MHz	3.699	dB
5	445.000MHz	3.666	dB