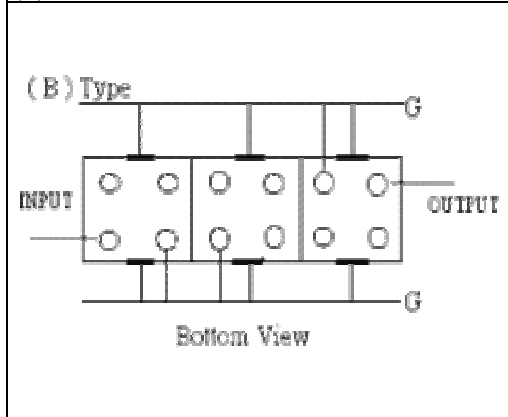


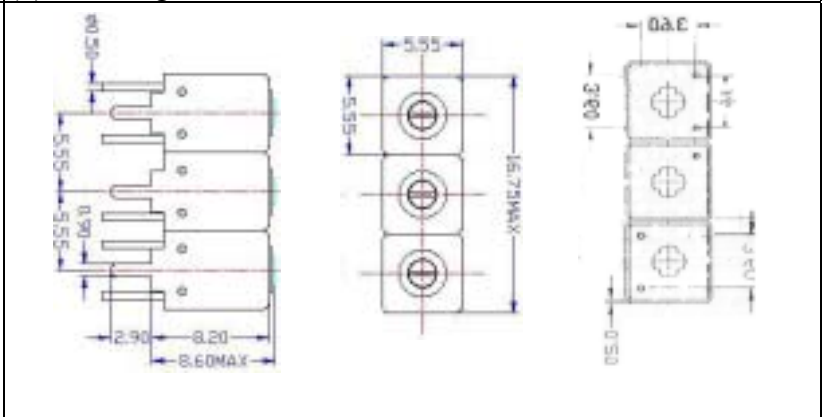
VHF UHF Helical Filter Specification Sheet

Customer Name		Temwell's Part No.	TTW3859B-2450M
Approval No. /dated	0607030	Temwell's Print Name.	3859B 2450M
Work Instruction No.	0607030C	Date	Jul.20.2006

(1) Pin Position



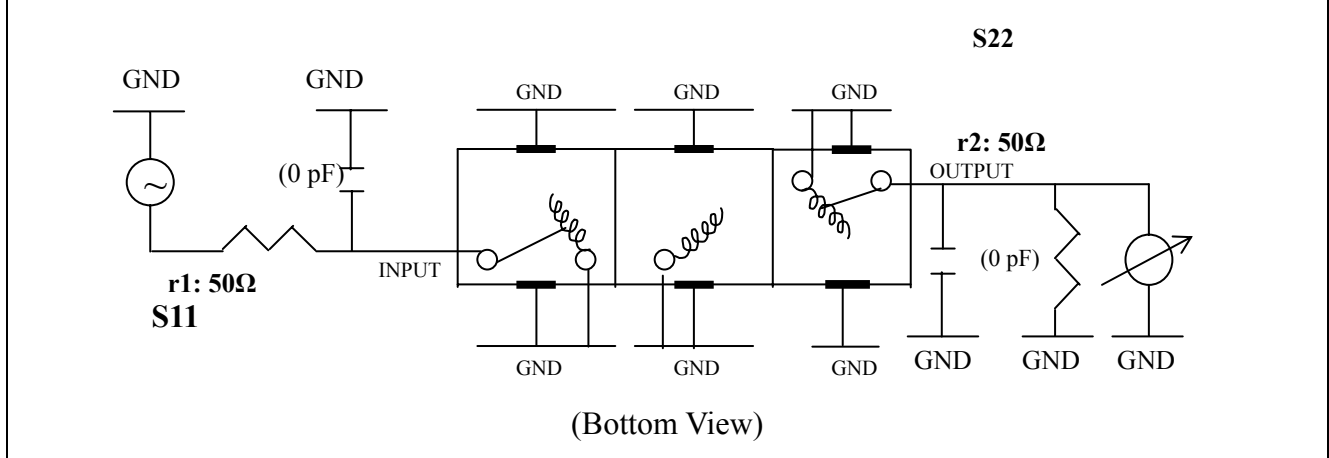
(2) Size Diagram



(3) Electric Charasteric

Item		Specify	
Center Freq (Fo) +/-0.5%		2450	MHz
Tunable Range		2450±10	MHz
Insertion Loss		Typ. 3.0	dB
-3 dB Bandwidth		Typ. 100	MHz
Sensitivity (Attenuation)	Fo - 300 MHz	Typ. 41	dBc
	Fo + 300 MHz	Typ. 24	dBc
	Fo - ()MHz	Typ.	dBc
	Fo +()MHz	Typ.	dBc
Return Loss		Min. 12	dB
Ripple		< 1	dB
Impedance		In / Out : 50 Ω	
(4)Torque for Tuning Screw		> 60gf cm	
(5)Temperature Condition:			
Operating Temperature		-30 ~ +70	
Storage Temperature		-30 ~ +80	
(6)Input Power		>0.5 Watt	

(7)Measuring Circuit: Easy to match Impedance S11/S22 50Ω/ by parallel with about(0 pF) / (0 pF).



Approval	Supervisor	Designer	Aperture size
C.Y.Chang	C.S.Chang	W.W.Wang	5W3(3.8*5.1) 5HW046RB3.2

TEMWELL CORPORATION

Performance-TTW3859-2450M

0607030C

