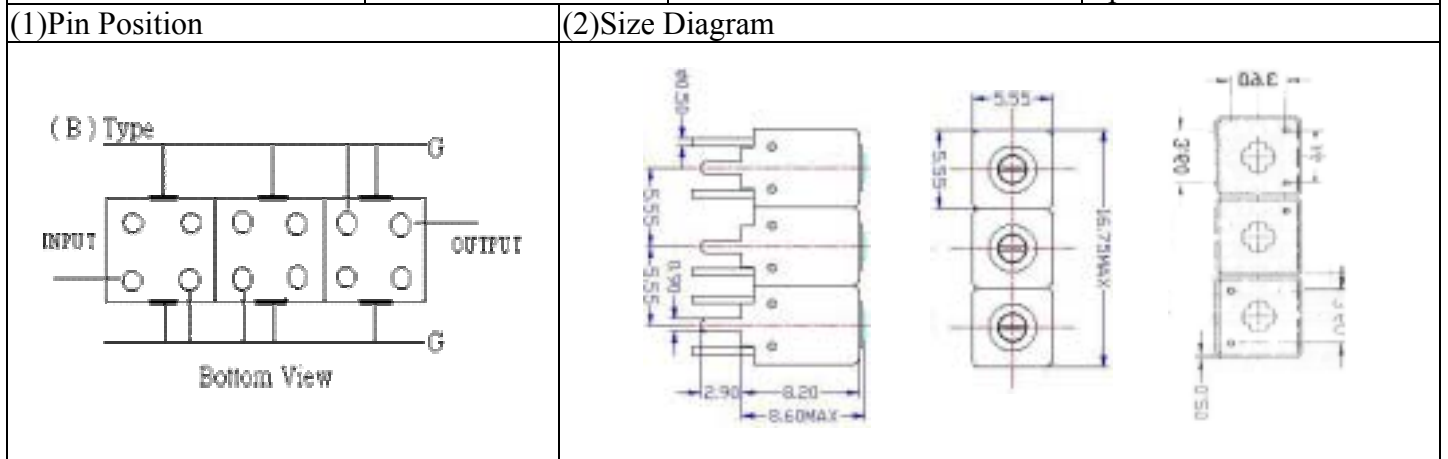


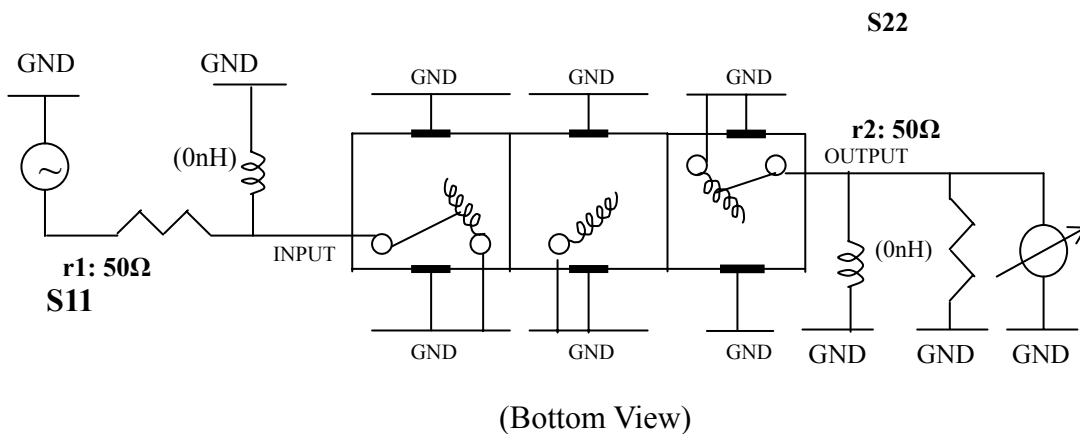
VHF UHF Helical Filter Specification Sheet

Customer Name		Temwell's Part No.	TTW3840B-2450M
Approval No. /dated	0604030APR	Customer Print Name	
Work Instruction No.	0604030B	Date	Apr.25.2006



(3) Electric Character		Item	Specify
Center Freq.(Fo) +/- 0.5 %			2450 MHz
Tunable Range:			2450±5 MHz
Insertion Loss		Typ.	3.0 dB
-3 dB Bandwidth		Typ.	175 MHz
Sensitivity (Attenuation)	Fo - 300 MHz	Typ.	38 dBc
	Fo + 300 MHz	Typ.	23 dBc
	Fo - ()MHz	Typ.	dBc
	Fo +()MHz	Typ.	dBc
Return Loss		Min.	12 dB
Ripple			< 1 dB
Impedance			In / Out : 50 Ω
(4) Torque for Tuning Screw			> 60gf cm
(5) Temperature Condition:			
Operating Temperature			0 ~ +60
Storage Temperature			-20 ~ +70
(6) Input Power			> 0.5Watt

(7) Measuring Circuit: Easy to match Impedance S11/S22 50Ω by parallel with about(0nH) / (0nH).



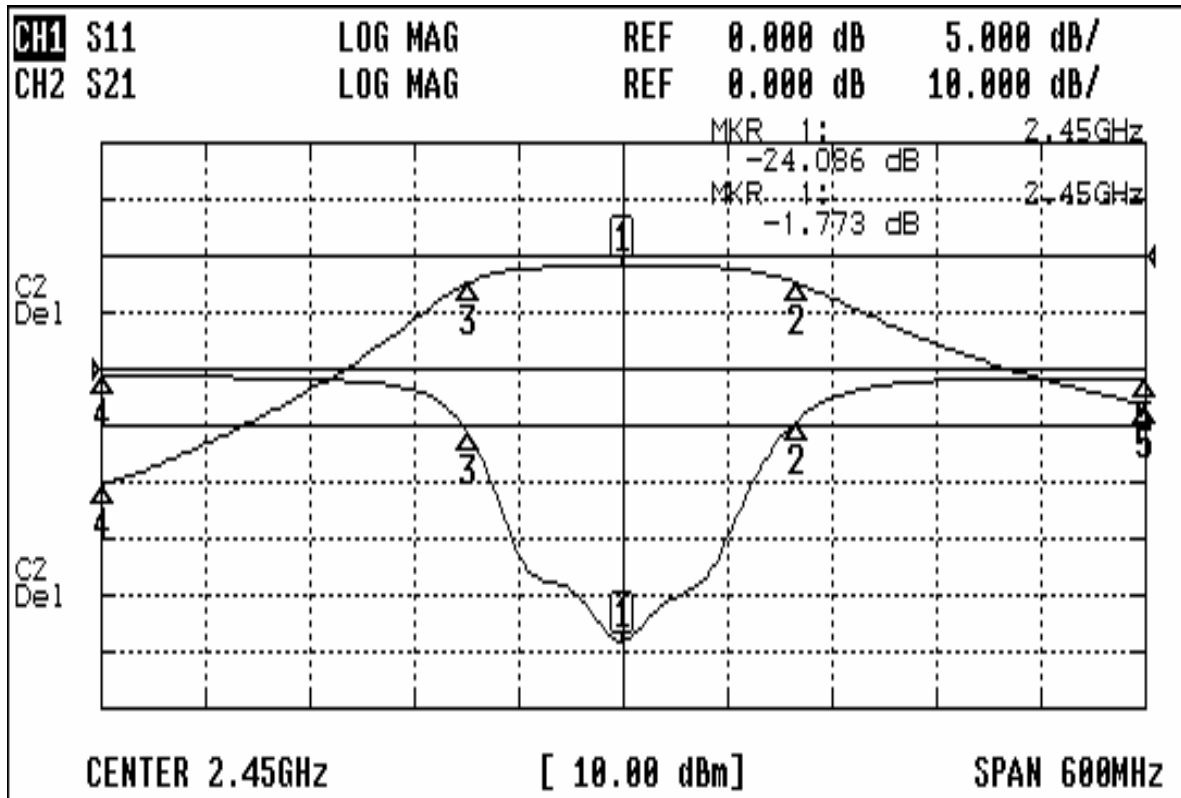
Approval	Supervisor	Designer	Aperture size
C.Y. Chang	C.S. Chang	C.S. Chang	5W3S(3.8*5.1)(5.14) 5HW046RB3.2

TEMWELL CORPORATION

TEMWELL

Form BP:C.S.Chang

Performance-TTW3840B-2450M 0604030B



CH1 MARKER LIST		
1:	2.450 000GHz	-24.066 dB
2:	2.550 000GHz	-4.559 dB
3:	2.361 000GHz	-5.659 dB
4:	2.150 000GHz	-0.632 dB
5:	2.750 000GHz	-0.752 dB
6:		
7:		
8:		
9:		
10:		

CH2 MARKER LIST		
1:	2.450 000GHz	-1.773 dB
2:	2.550 000GHz	-4.794 dB
3:	2.361 000GHz	-4.807 dB
4:	2.150 000GHz	-40.669 dB
5:	2.750 000GHz	-26.223 dB
6:		
7:		
8:		
9:		
10:		