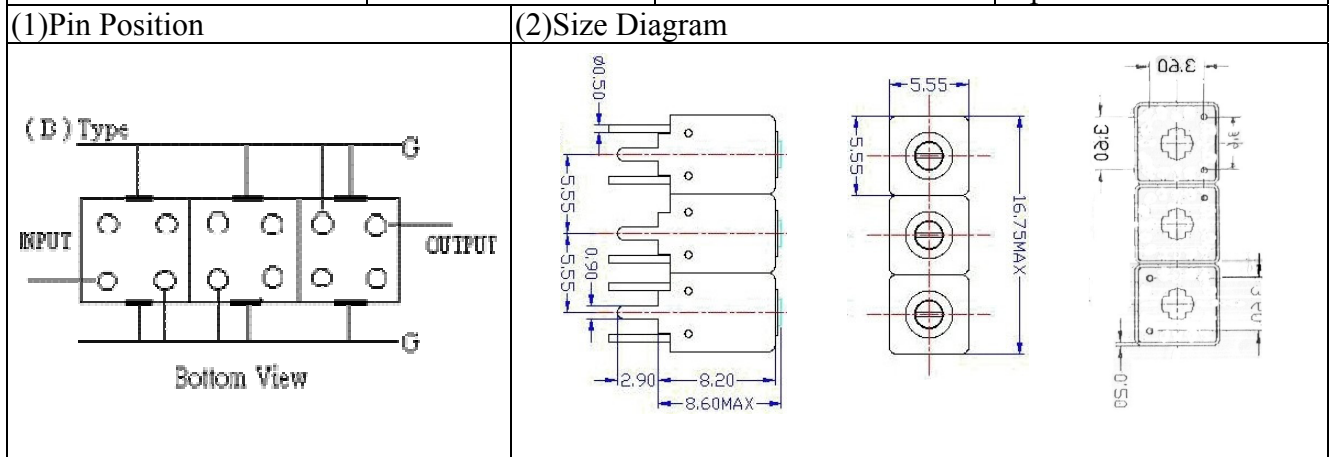
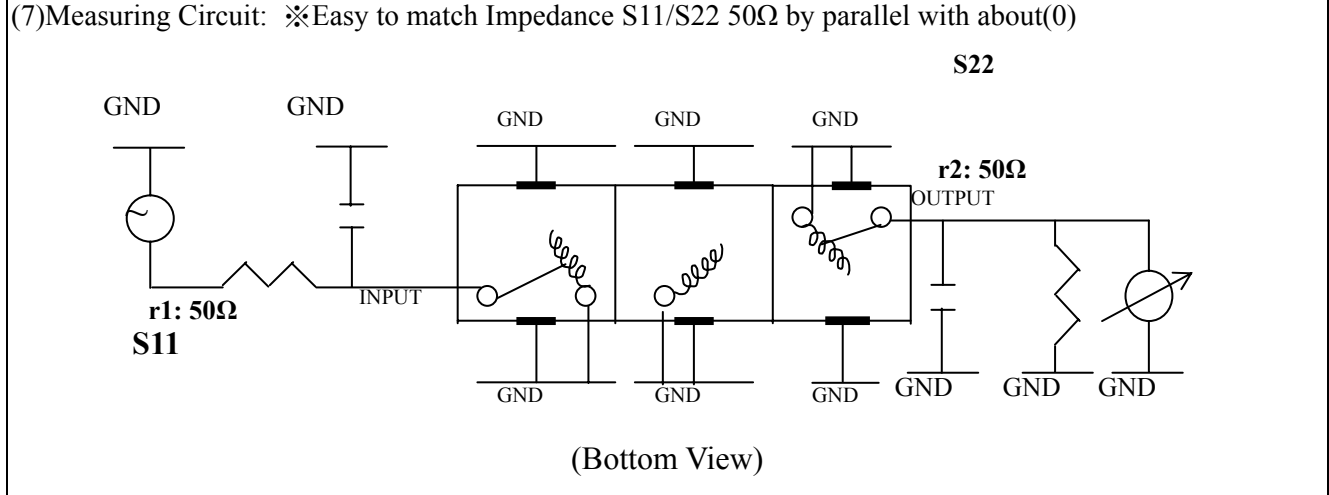


VHF UHF Helical Filter Specification Sheet

Customer Name		Temwell's Part No.	TTW3705B-2025M
Approval No. /dated		Temwell's Print Name.	3705B 2025M
Work Instruction No.	201108111C	Date	Sep.09.2011



(3) Electric Character	
Item	Specify
Center Freq.(Fo) +/- 0.5 %	2025 MHz
Insertion Loss	Typ. 5.5 dB
-3 dB Bandwidth	Typ. 20 MHz
Sensitivity (Attenuation)	Fo - 100 MHz Typ. 31 dBc
	Fo +100 MHz Typ. 25 dBc
	Fo - ()MHz Typ. dBc
	Fo +()MHz Typ. dBc
Return Loss	Min. 12 dB
Ripple	< 1 dB
Impedance	In / Out : 50 Ω
(4) Torque for Tuning Screw	> 60gf · cm
(5) Temperature Condition:	
Operating Temperature	0°C ~ +60°C
Storage Temperature	-20°C ~ +70°C
(6) Input Power	> 0.5 Watt



Approval C.Y.Chang	Supervisor C.K.Chang	Designer C.S.Chang	Aperture size 5W3S(3.8*4.0)(4.10) 5HW046RB3.2
-----------------------	-------------------------	-----------------------	-----------------------------------------------------

TEMWELL CORPORATION

Performance-TTW3705B-2025M

20110811C

