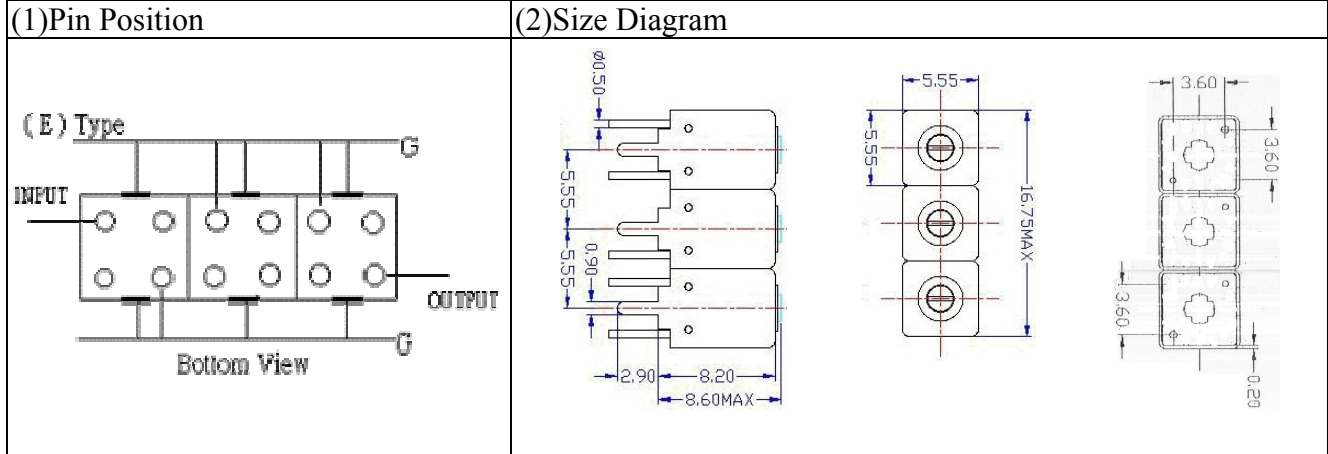


VHF UHF Helical Filter Specification Sheet

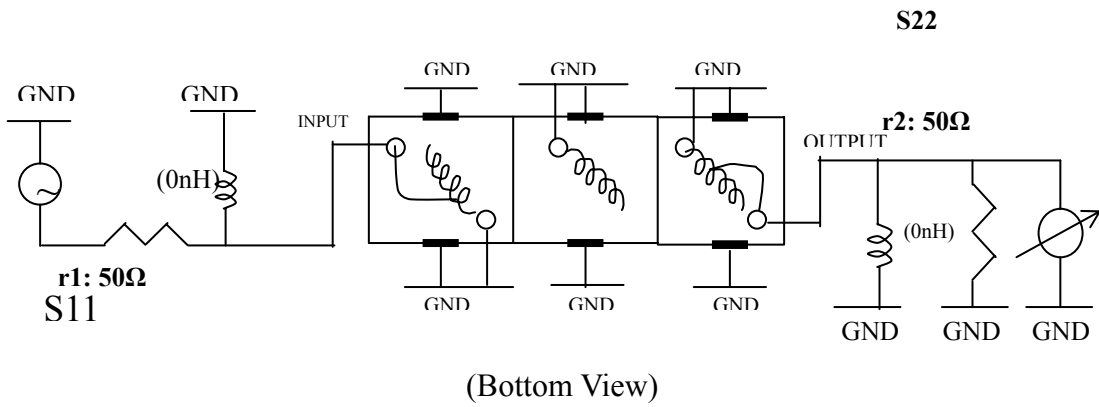
Customer Name		Temwell's Part No.	TTW3539E-1489M
Approval No. /dated		Temwell's Print Name.	3539E 1489M
Work Instruction No.	200809056C	Date	Sep.23.2008



(3) Electric Characteristic

Item	Specify	
Center Freq.(Fo) +/- 0.5 %	1489	MHz
Insertion Loss	Typ. 4.0	dB
-3 dB Bandwidth	Typ. 25	MHz
Sensitivity (Attenuation)	Fo - 100 MHz	Typ. 43 dBc
	Fo + 100 MHz	Typ. 32 dBc
	Fo - ()MHz	Typ. dBc
	Fo +()MHz	Typ. dBc
Return Loss	Min. 12	dB
Ripple	< 1	dB
Impedance	In / Out : 50 Ω	
(4) Torque for Tuning Screw	>60gf · cm	
(5) Temperature Condition:		
Operating Temperature	0°C ~ +60°C	
Storage Temperature	-20°C ~ +70°C	
(6) Input Power	> 0.5Watt	

(7) Measuring Circuit: ※Easy to match Impedance S11/S22 50Ω/50Ω by parallel with about(0 nH) / (0 nH).

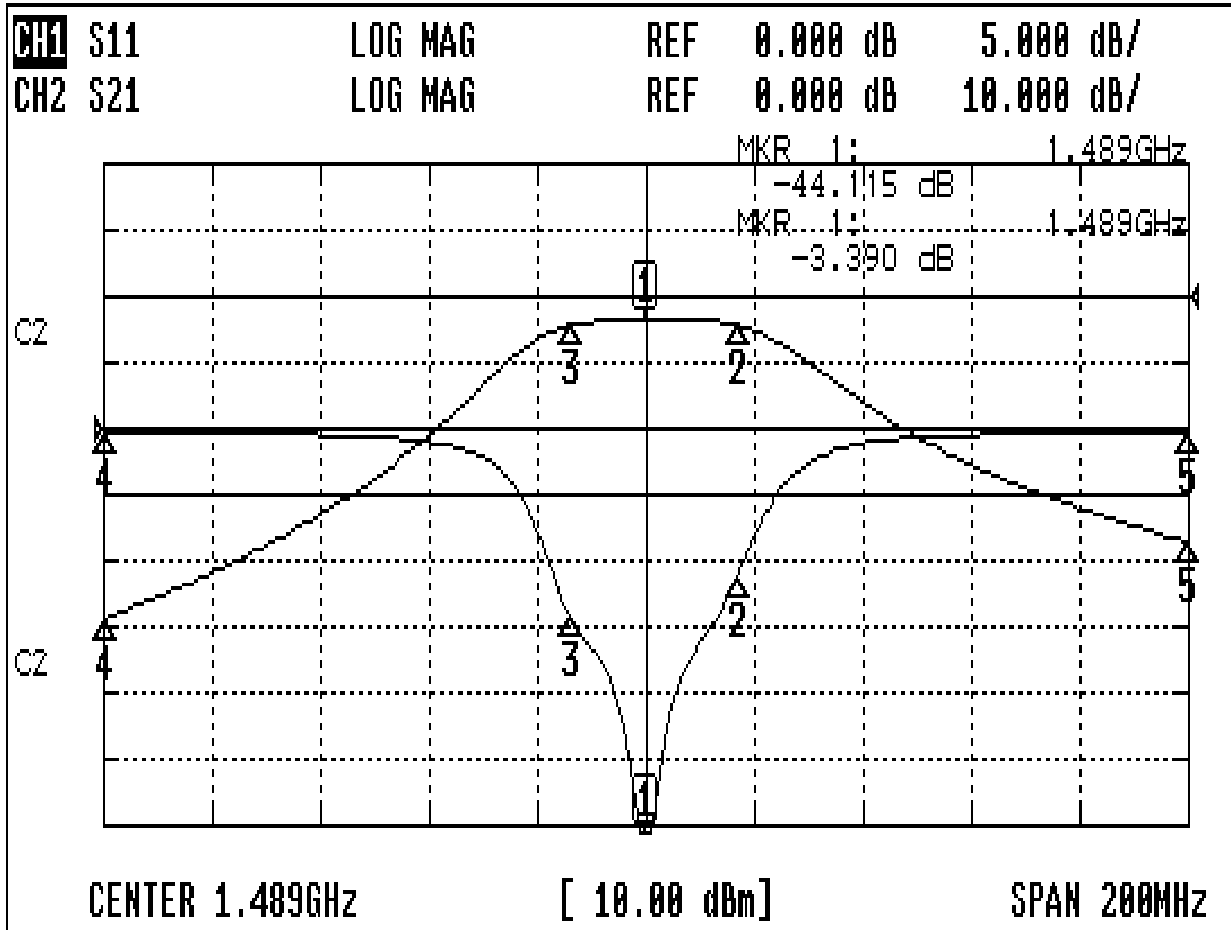


Approval C.Y.Chang	Supervisor C.S.Chang	Designer C.H.Yeh	Aperture size 5W3S(3.8*3.5) (5HW024RB3)
-----------------------	-------------------------	---------------------	---

TEMWELL CORPORATION

Performance-TTW3539E-1489M

200809056C



CH1 MARKER LIST

1:	1.489	000GHz	-44.115	dB
2:	1.506	000GHz	-11.025	dB
3:	1.475	166GHz	-14.312	dB
4:	1.389	000GHz	-0.234	dB
5:	1.589	000GHz	-0.233	dB

CH2 MARKER LIST

1:	1.489	000GHz	-3.389	dB
2:	1.506	000GHz	-4.361	dB
3:	1.475	166GHz	-4.320	dB
4:	1.389	000GHz	-49.492	dB
5:	1.589	000GHz	-37.091	dB

