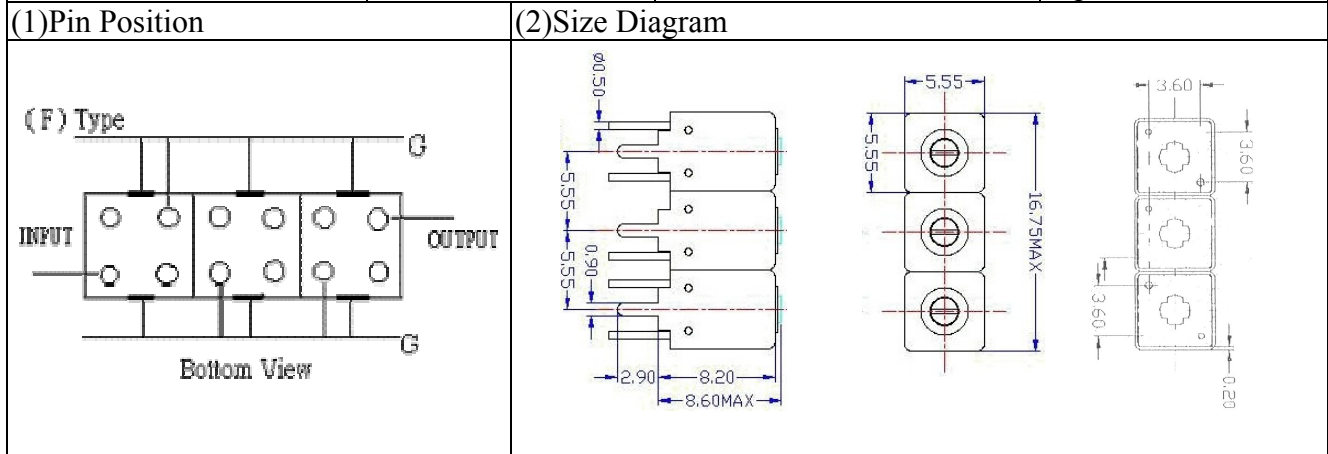


# VHF UHF Helical Filter Specification Sheet

Customer Name		Temwell's Part No.	TTW3537F-1441M
Approval No. /dated	0809043C	Customer's Part No.	3537F 1441M
Work Instruction No.	200809043C	Date	Sep.19.2008



(3) Electric Characteristic

Item	Specify	
Center Freq.(Fo) +/- 0.5 %	1441	MHz
Insertion Loss	Typ. 4.0	dB
-1 dB Bandwidth	Typ. 26	MHz
-3 dB Bandwidth	Typ. 33	MHz
Sensitivity (Attenuation)	Fo -100 MHz	Typ. 29 dBc
	Fo +100 MHz	Typ. 44 dBc
	Fo - ( )MHz	Typ. dBc
	Fo +( )MHz	Typ. dBc
Return Loss	Min. 12	dB
Ripple	< 1	dB
Impedance	In / Out : 50 Ω	

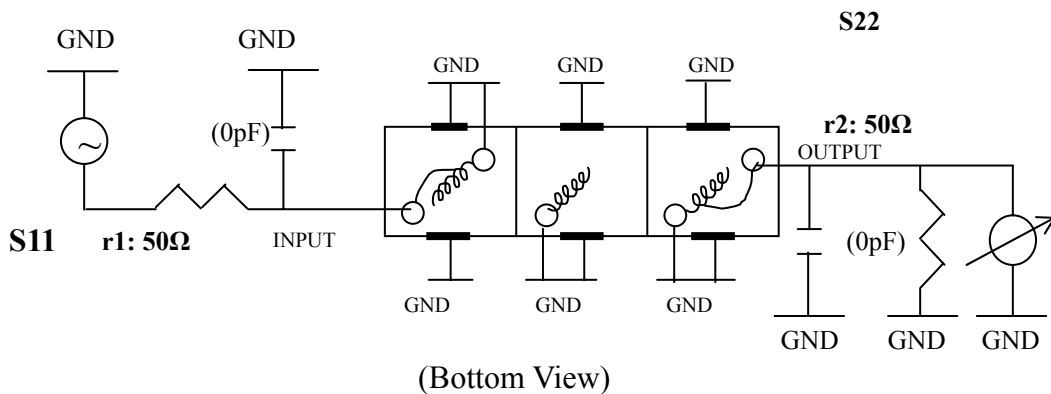
(4) Torque for Tuning Screw > 60gf cm

(5) Temperature Condition:

Operating Temperature	0 ~ +60
Storage Temperature	-20 ~ +70

(6) Input Power > 0.5Watt

(7) Measuring Circuit: Easy to match Impedance S11/S22 50Ω/50Ω by parallel with about( 0 pF) / ( 0 pF).

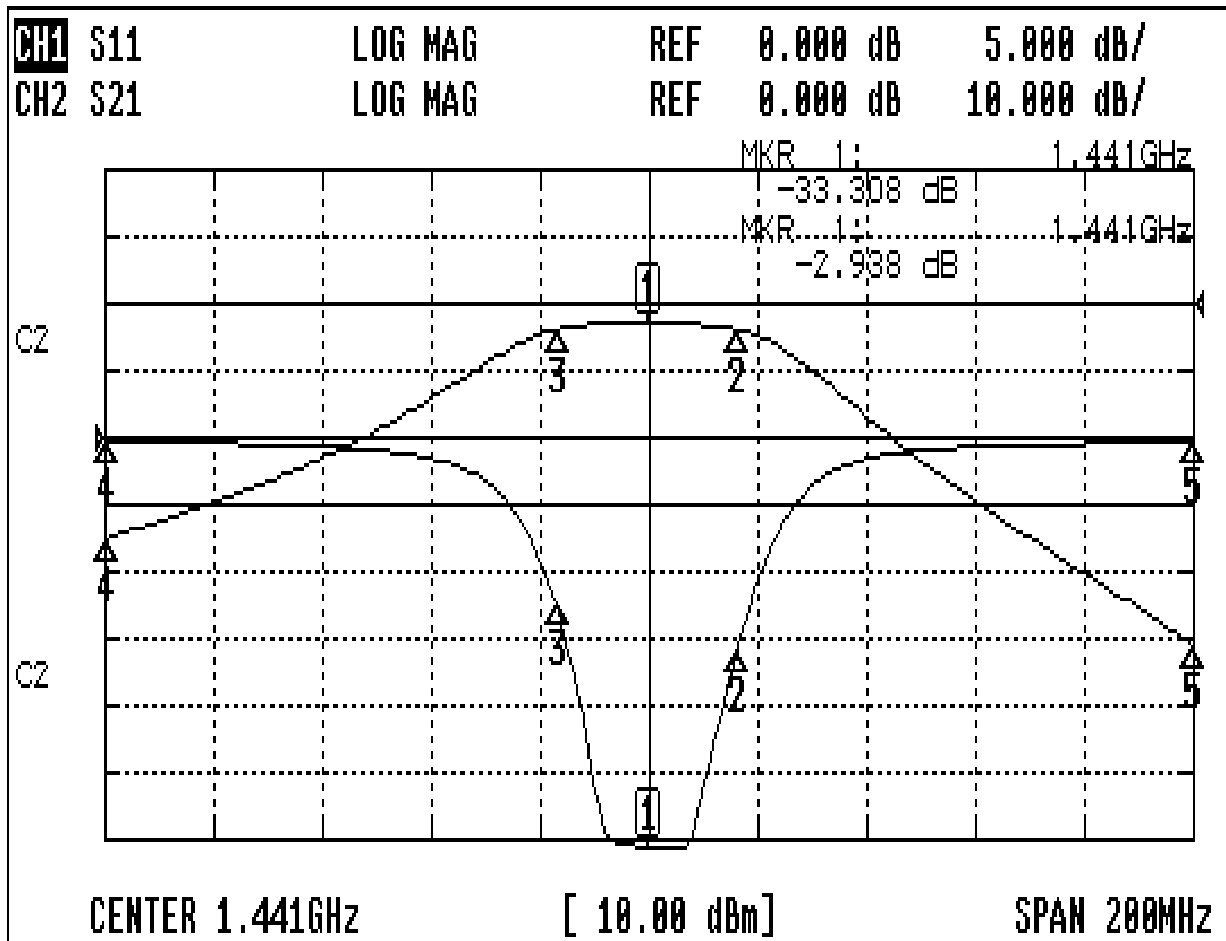


Approval	Supervisor	Designer	Aperture size
C.Y.Chang	C.S.Chang	C.H.Yeh	5W3S(3.8*3.5) (5HW024RB3)

TEMWELL CORPORATION

# Performance-TTW3537F-1441M

## 200809043C



### CH1 MARKER LIST

1	1.441	000GHz	-33.386	dB
2	1.457	333GHz	-15.832	dB
3	1.424	000GHz	-12.438	dB
4	1.341	000GHz	-0.313	dB
5	1.541	000GHz	-0.364	dB

### CH2 MARKER LIST

1	1.441	000GHz	-2.938	dB
2	1.457	333GHz	-3.981	dB
3	1.424	000GHz	-3.928	dB
4	1.341	000GHz	-35.031	dB
5	1.541	000GHz	-50.952	dB