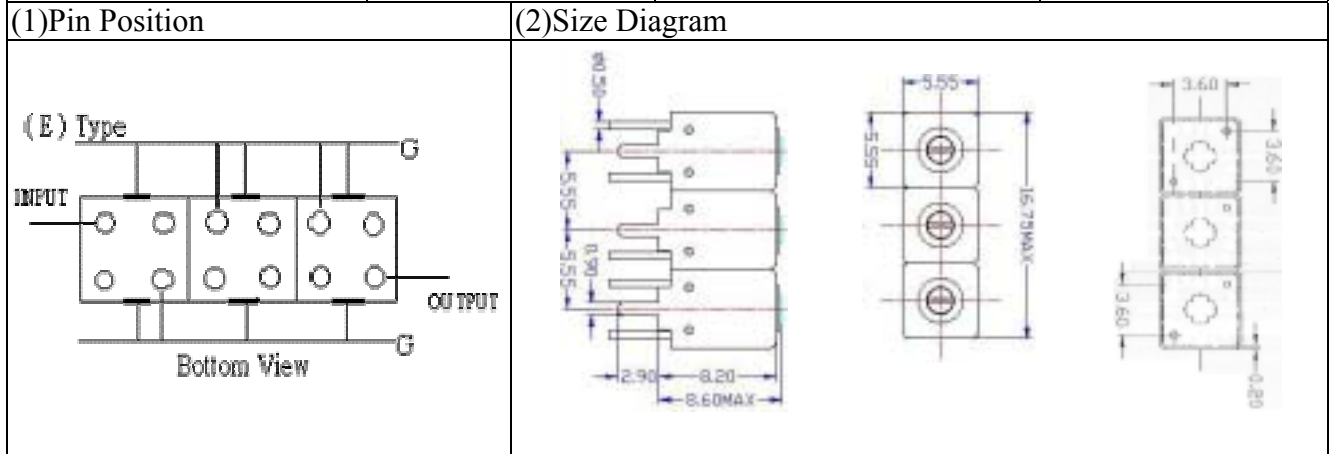


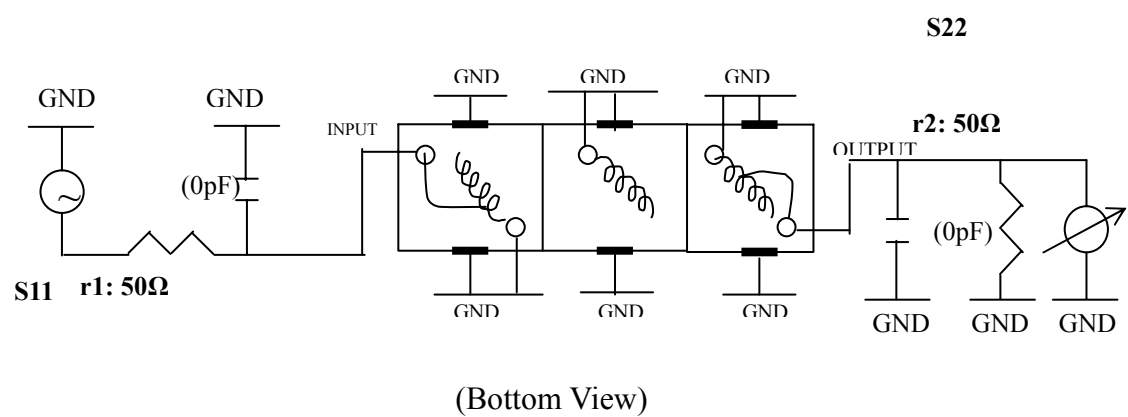
VHF UHF Helical Filter Specification Sheet

Customer Name		Temwell's Part No.	TTW3529E-1842.5M
Approval No. /dated	200809031C	Temwell's Print Name.	3529E 1842.5M
Work Instruction No.	200809031C	Date	Sep.16.2008



(3) Electric Characteristic	
Item	Specify
Center Freq.(Fo) +/- 0.5 %	1842.5 MHz
Insertion Loss	Typ. 3.0 dB
-3 dB Bandwidth	Typ. 70 MHz
Sensitivity (Attenuation)	Fo - 200 MHz Typ. 48 dBc
	Fo + 200 MHz Typ. 30 dBc
	Fo - ()MHz Typ. dBc
	Fo +()MHz Typ. dBc
Return Loss	Min. 12 dB
Ripple	< 1 dB
Impedance	In / Out : 50 Ω
(4) Torque for Tuning Screw	> 60gf cm
(5) Temperature Condition:	
Operating Temperature	0 ~ +60
Storage Temperature	-20 ~ +70
(6) Input Power	> 0.5Watt

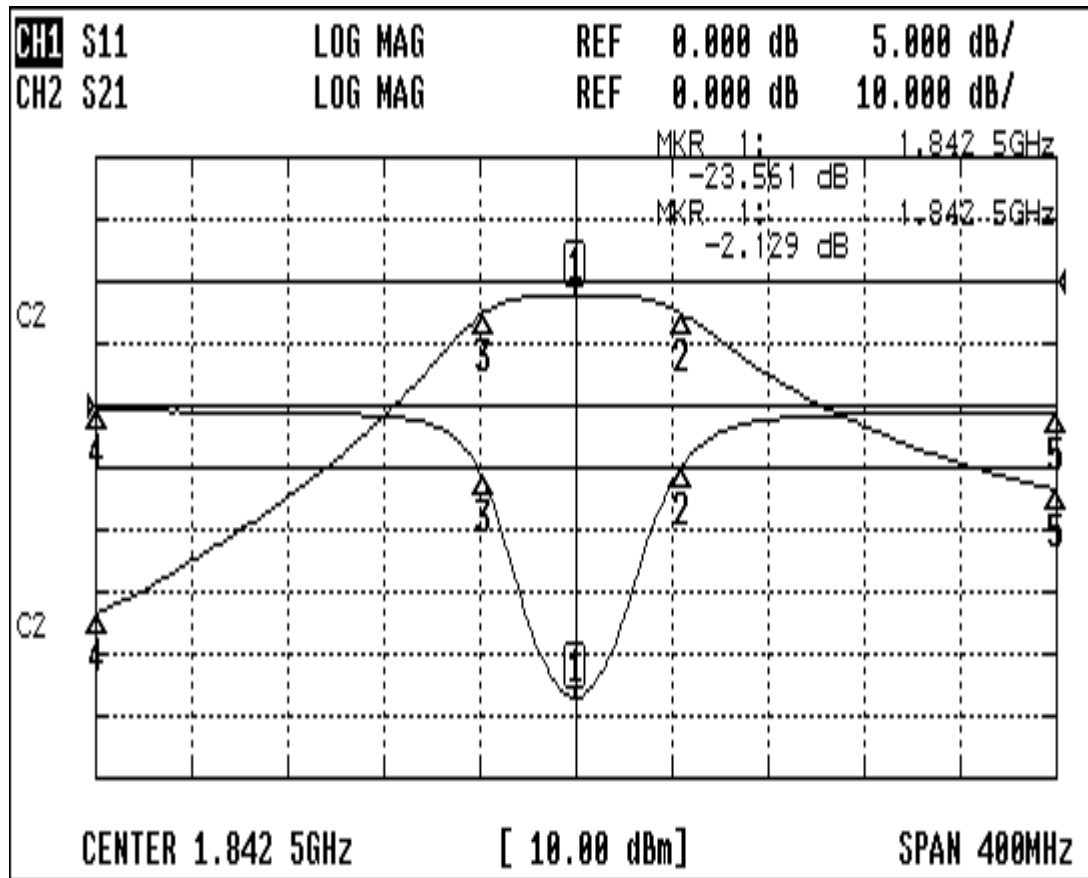
(7) Measuring Circuit: Easy to match Impedance S11/S22 50Ω/50Ω by parallel with about(0 pF) / (0 pF).



Approval C.Y.Chang	Supervisor C.S.Chang	Designer C.H.Yeh	Aperture size 5W3S(3.8*5.1) (5HW046RB3.2)
TEMWELL CORPORATION			

Performance-TTW3529E-1842.5M

200809031C



CH1 MARKER LIST

1:	1.842	500GHz	-23.553	dB
2:	1.886	500GHz	-4.913	dB
3:	1.803	833GHz	-5.738	dB
4:	1.642	500GHz	-0.410	dB
5:	2.042	500GHz	-0.513	dB
6:				
7:				
8:				
9:				
10:				

CH2 MARKER LIST

1:	1.842	500GHz	-2.129	dB
2:	1.886	500GHz	-5.158	dB
3:	1.803	833GHz	-5.131	dB
4:	1.642	500GHz	-53.866	dB
5:	2.042	500GHz	-33.566	dB
6:				
7:				
8:				
9:				
10:				