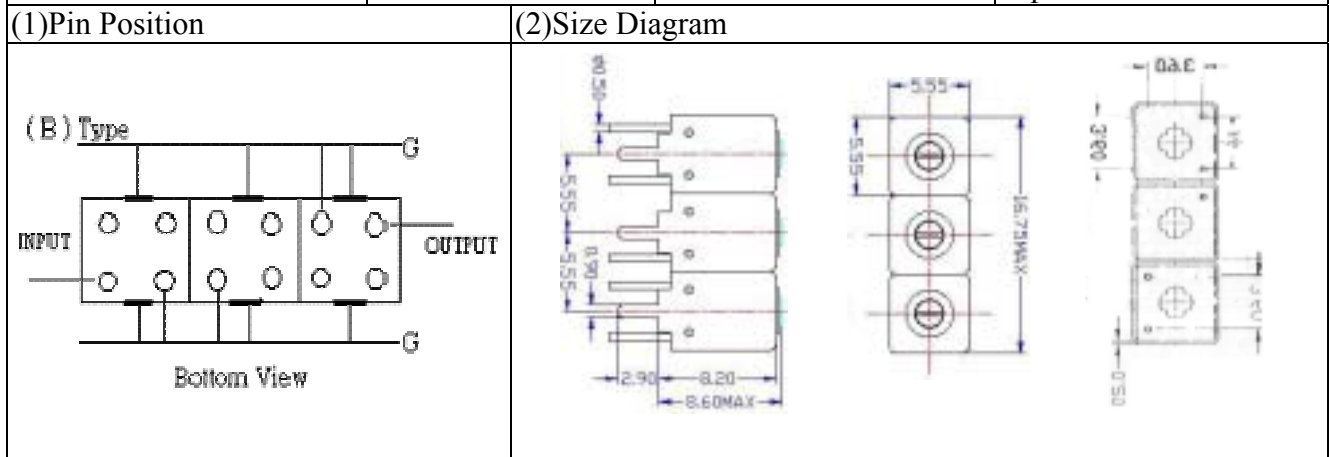
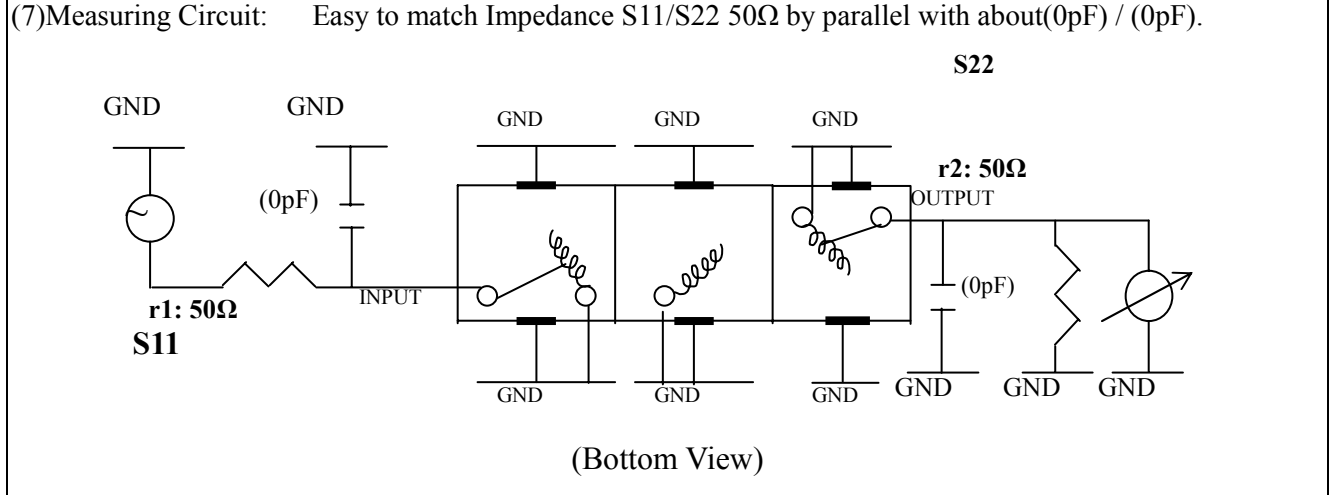


VHF UHF Helical Filter Specification Sheet

Customer Name		Temwell's Part No.	TTW3512B-815M
Approval No. /dated	200809033C	Temwell's Print Name.	3512B 815M
Work Instruction No.	200809033C	Date	Sep.18.2008



(3)Electric Character	
Item	Specify
Center Freq.(Fo) +/- 0.5 %	815 MHz
Insertion Loss	Typ. 3.0 dB
-3 dB Bandwidth	Typ. 35 MHz
Sensitivity (Attenuation)	Fo - 50 MHz Typ. 28 dBc
	Fo + 50 MHz Typ. 21 dBc
	Fo - ()MHz Typ. dBc
	Fo +()MHz Typ. dBc
Return Loss	Min. 12 dB
Ripple	< 1 dB
Impedance	In / Out : 50 Ω
(4)Torque for Tuning Screw	> 60gf cm
(5)Temperature Condition:	
Operating Temperature	0 ~ +60
Storage Temperature	-20 ~ +70
(6)Input Power	> 0.5Watt

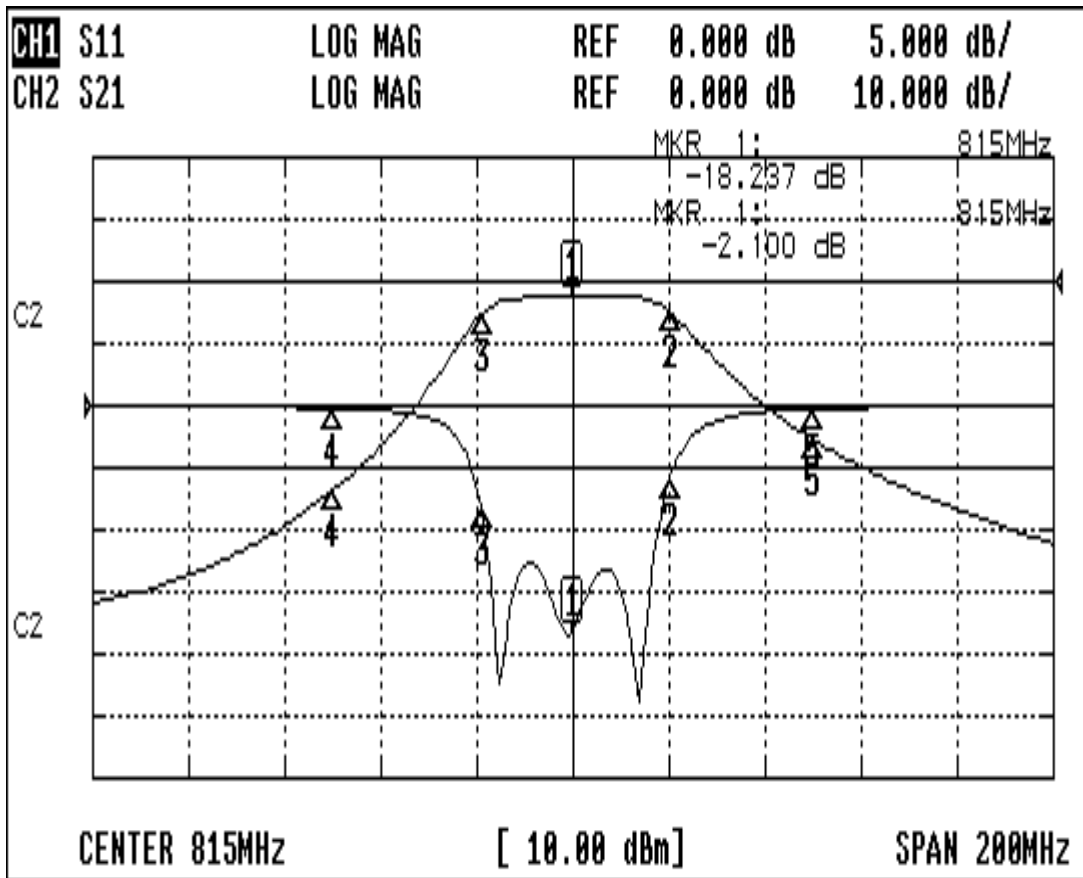


Approval	Supervisor	Designer	Aperture size
C.Y.Chang	C.S.Chang	K.L.Lai	5W3S(3.8*4.0) (5HW024RB3)

TEMWELL CORPORATION

Performance-TTW3512B-815M

200809033C



CH1 MARKER LIST

1:	815.000MHz	-18.244 dB
2:	835.333MHz	-5.910 dB
3:	796.000MHz	-6.131 dB
4:	765.000MHz	-0.203 dB
5:	865.000MHz	-0.254 dB

CH2 MARKER LIST

1:	815.000MHz	-2.100 dB
2:	835.333MHz	-5.114 dB
3:	796.000MHz	-5.133 dB
4:	765.000MHz	-33.609 dB
5:	865.000MHz	-25.394 dB