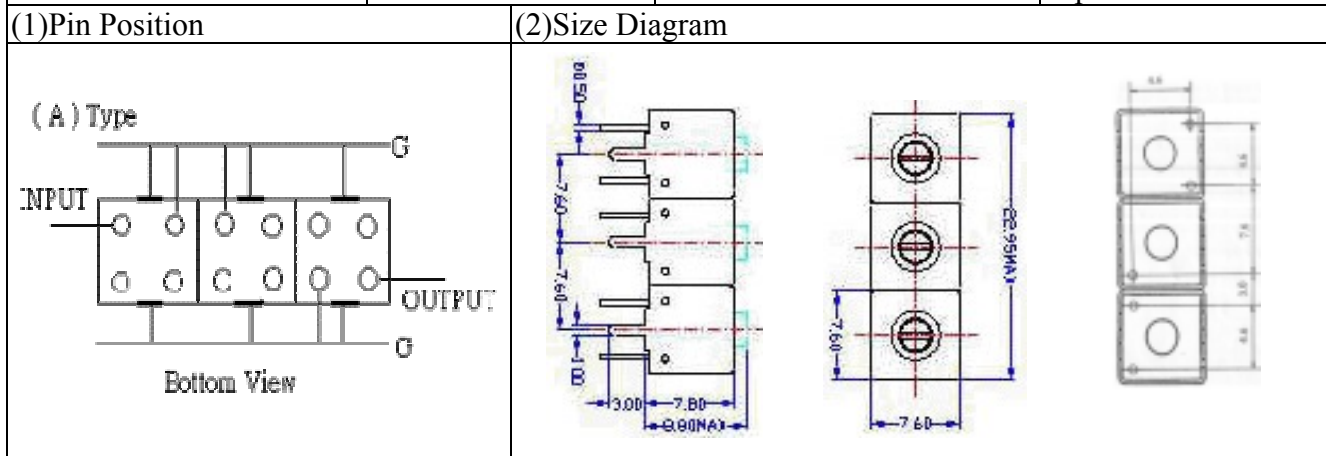


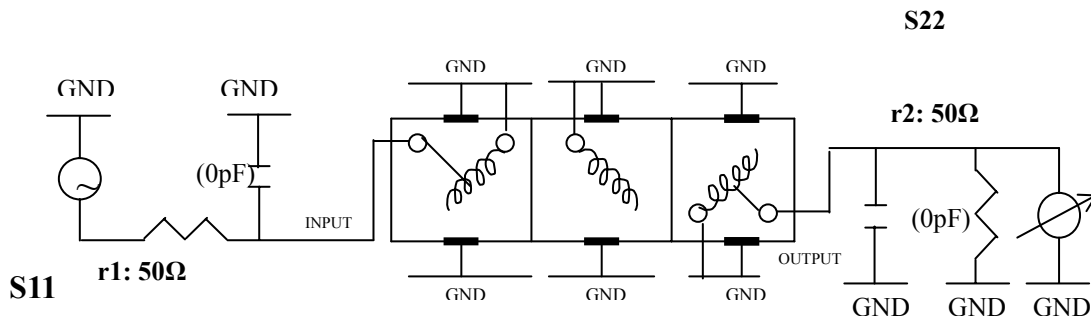
VHF UHF Helical Filter Specification Sheet

Customer Name		Temwell's Part No.	TTS3211A-958M
Approval No. /dated	200809012C	Customer's Part No.	3211A 958M
Work Instruction No.	200809012C	Date	Sep.12.2008



(3) Electric Characteristic	
Item	Specify
Center Freq.(Fo) +/- 0.5 %	958 MHz
Tunable Range:	958±10 MHz
Insertion Loss	Max. 5.5 dB
-3 dB Bandwidth	Typ. 14 MHz
Sensitivity (Attenuation)	Fo -100 MHz Typ. 56 dBc
	Fo +100 MHz Typ. 44 dBc
	Fo - ()MHz Typ. dBc
	Fo +()MHz Typ. dBc
Return Loss	Min. 12 dB
Ripple	< 1 dB
Impedance	In / Out : 50 Ω
(4) Torque for Tuning Screw > 100gf cm	
(5) Temperature Condition:	
Operating Temperature	0 ~ +60
Storage Temperature	-20 ~ +70
(6) Input Power > 1Watt	

(7) Measuring Circuit: Easy to match Impedance S11/S22 50Ω/ by parallel with about(0pF) / (0 pF).



Approval C.Y.Chang	Supervisor C.S.Chang	Designer K.L.Lai	Aperture size 7S3S(4*5.1) 7S046LB4
-----------------------	-------------------------	---------------------	--

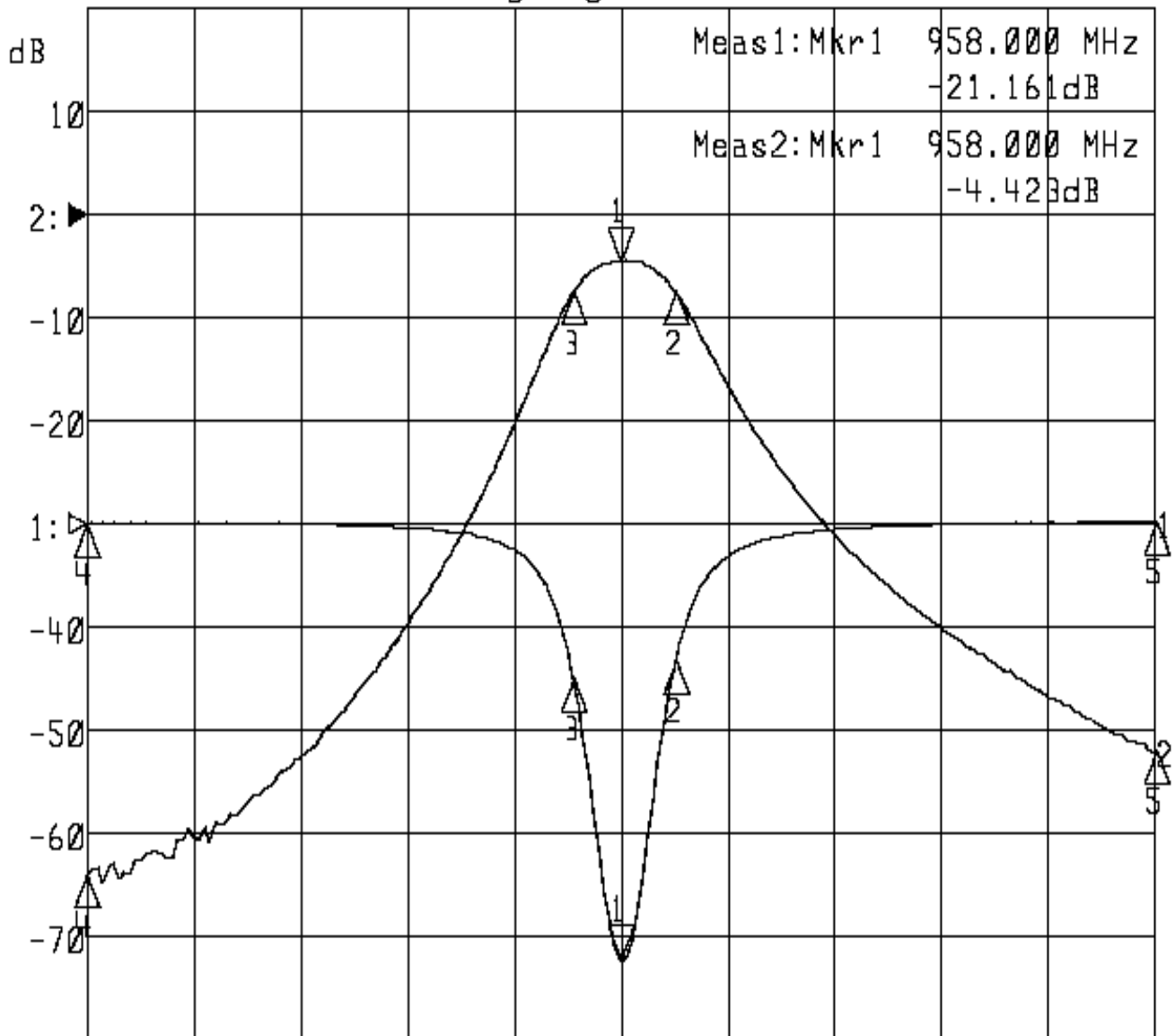
TEMWELL CORPORATION

Performance-TTS3211A-958M

200809012C

►1:S11 Refl Port1 Log Mag 5.0 dB/ Ref 0.00 dB C

►2:S21 Fwd Trans Log Mag 10.0 dB/ Ref 0.00 dB C



Center 958.000 MHz

Span 200.000 MHz

1: Mkr (MHz)	dB	2: Mkr (MHz)	dB
1> 958.0000	-21.161	1> 958.0000	-4.423
2: 968.2000	-6.684	2: 968.2000	-7.434
3: 949.1333	-7.518	3: 949.1333	-7.472
4: 858.0000	0.022	4: 858.0000	-64.094
5: 1058.0000	0.083	5: 1058.0000	-52.078