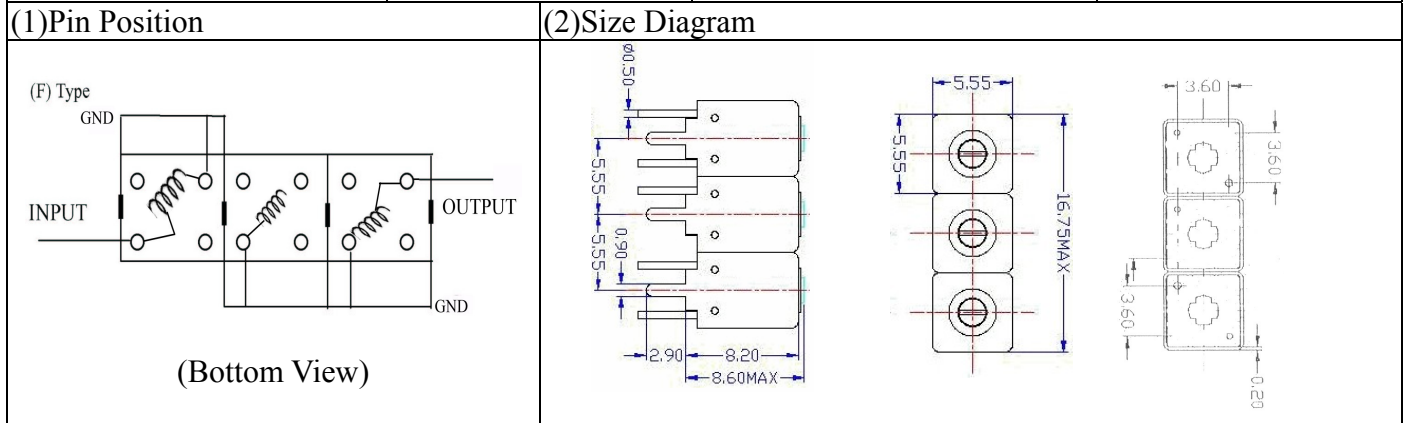


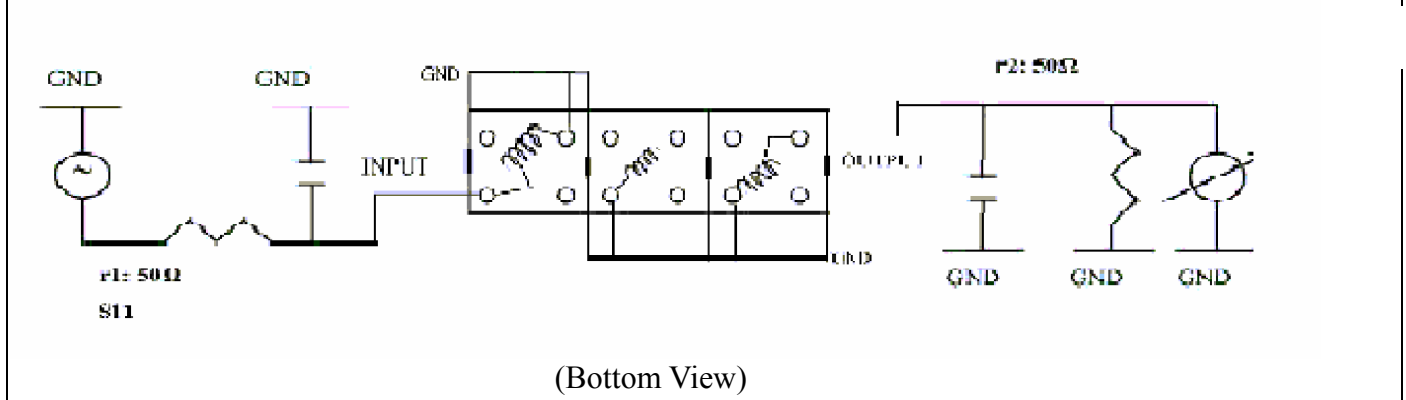
VHF UHF Helical Filter Specification Sheet

Customer Name		Temwell's Part No.	TTR3931F-462.5M
Approval No. /dated		Temwell's Print Name	3931F 462.5M
Work Instruction No.	201407257BD	Date	Jul.24.2014



(3) Electric Characteristic		Item	Specify
Center Freq.(Fo) +/- 0.5 %			462.5 MHz
Insertion Loss		Typ.	3.0 dB
-3 dB Bandwidth		Typ.	18 MHz
Sensitivity (Attenuation)	Fo - 50 MHz	Typ.	47 dBc
	Fo + 50 MHz	Typ.	28 dBc
	Fo - ()MHz		Typ. dBc
	Fo +()MHz	Typ.	dBc
Return Loss		Min.	12 dB
Ripple			< 1 dB
Impedance			In / Out : 50 Ω
(4) Torque for Tuning Screw			> 60gf cm
(5) Temperature Condition:			
Operating Temperature			0 ~ +60
Storage Temperature			-20 ~ +70
(6) Input Power			> 0.5Watt

(7) Measuring Circuit: Easy to match Impedance S11/S22 50Ω/ by parallel with about(- -).

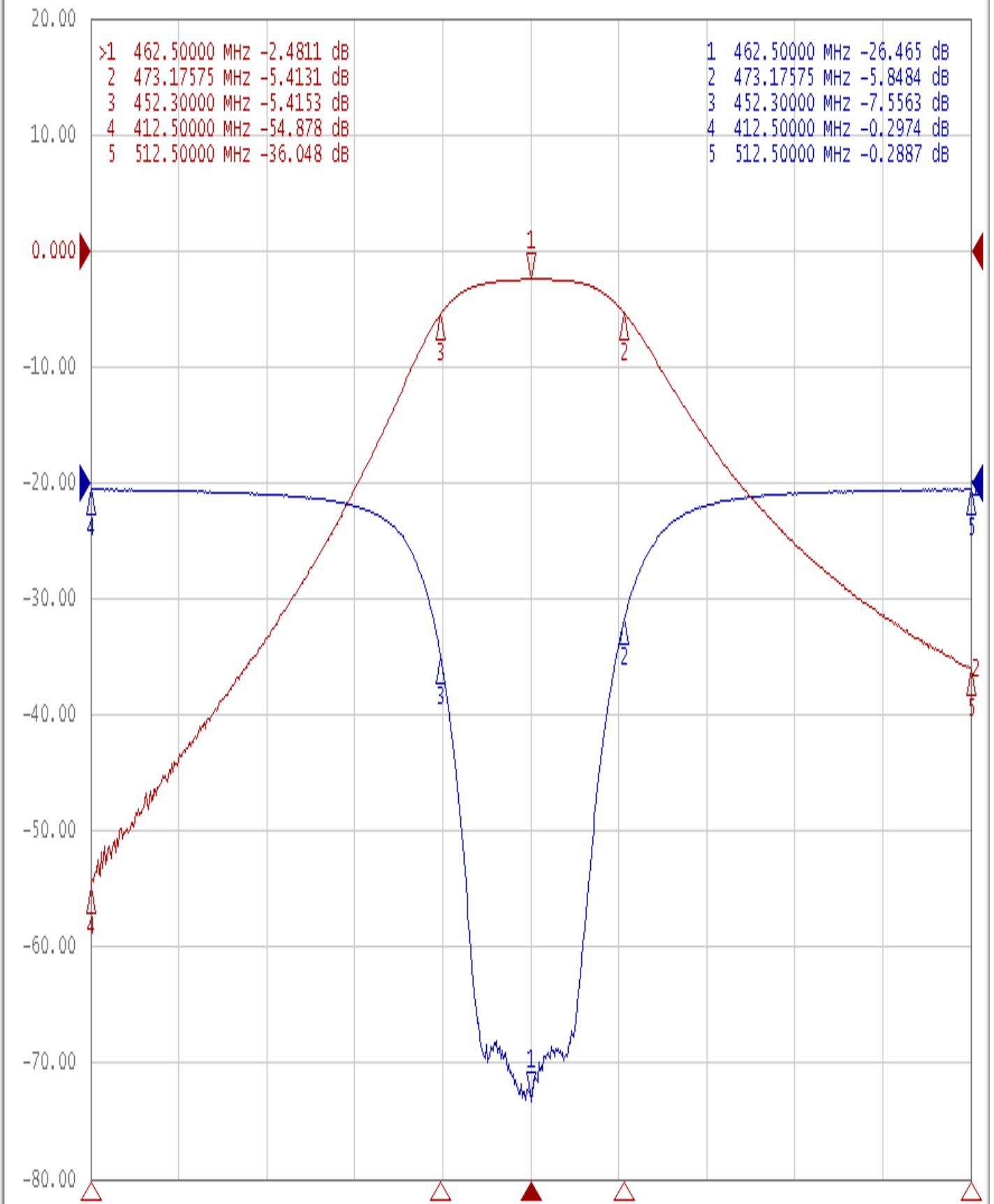


Approval	Supervisor	Designer	Aperture size
C.Y.Chang	C.K.Chang	P.H.Chiang	5R3S-3.8*4.2 (4.22) 5HW024LB3
TEMWELL CORPORATION			

Performance-TTR3931F-462.5M

201407257BD

Tr1 S11 Log Mag 5.000dB/ Ref 0.000dB [F2]
Tr2 S21 Log Mag 10.00dB/ Ref 0.000dB [F2]



1 Center 462.5 MHz

IFBW 70 kHz

Span 100 MHz Cor |