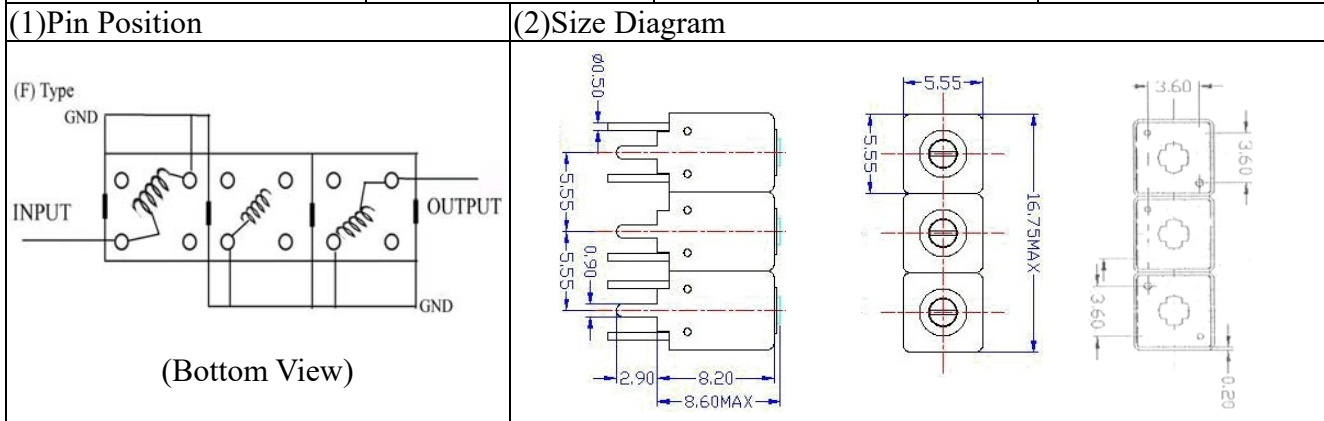


VHF UHF Helical Filter Specification Sheet

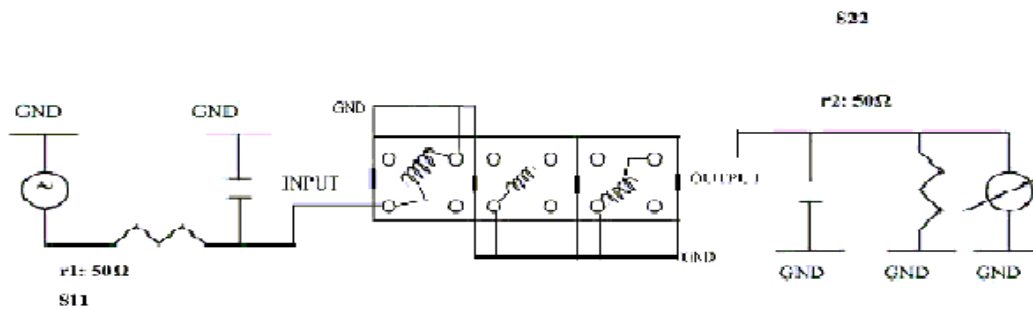
Customer Name		Temwell's Part No.	TTR3637F-407.5M
Approval No. /dated		Temwell's Print Name	3637F 407.5M
Work Instruction No.	201906052C	Date	Jul.16.2019



(3) Electric Chararistic

Item	Specify	
Center Freq.(Fo) +/- 0.5 %	407.5	MHz
Insertion Loss	Typ. 4.0	dB
-3 dB Bandwidth	Typ. 15	MHz
Sensitivity (Attenuation)	Fo - 50 MHz	Typ. 34 dBc
	Fo + 50 MHz	Typ. 31 dBc
	Fo - ()MHz	Typ. dBc
	Fo +()MHz	Typ. dBc
Return Loss	Min. 12	dB
Ripple	< 1	dB
Impedance	In / Out : 50 Ω	
(4) Torque for Tuning Screw	> 60gf · cm	
(5) Temperature Condition:		
Operating Temperature	-30°C ~ +70°C	
Storage Temperature	-30°C ~ +80°C	
(6) Input Power	> 0.5Watt	

(7) Measuring Circuit: ※Easy to match Impedance S11/S22 50Ω/ by parallel with about(--)



(Bottom View)

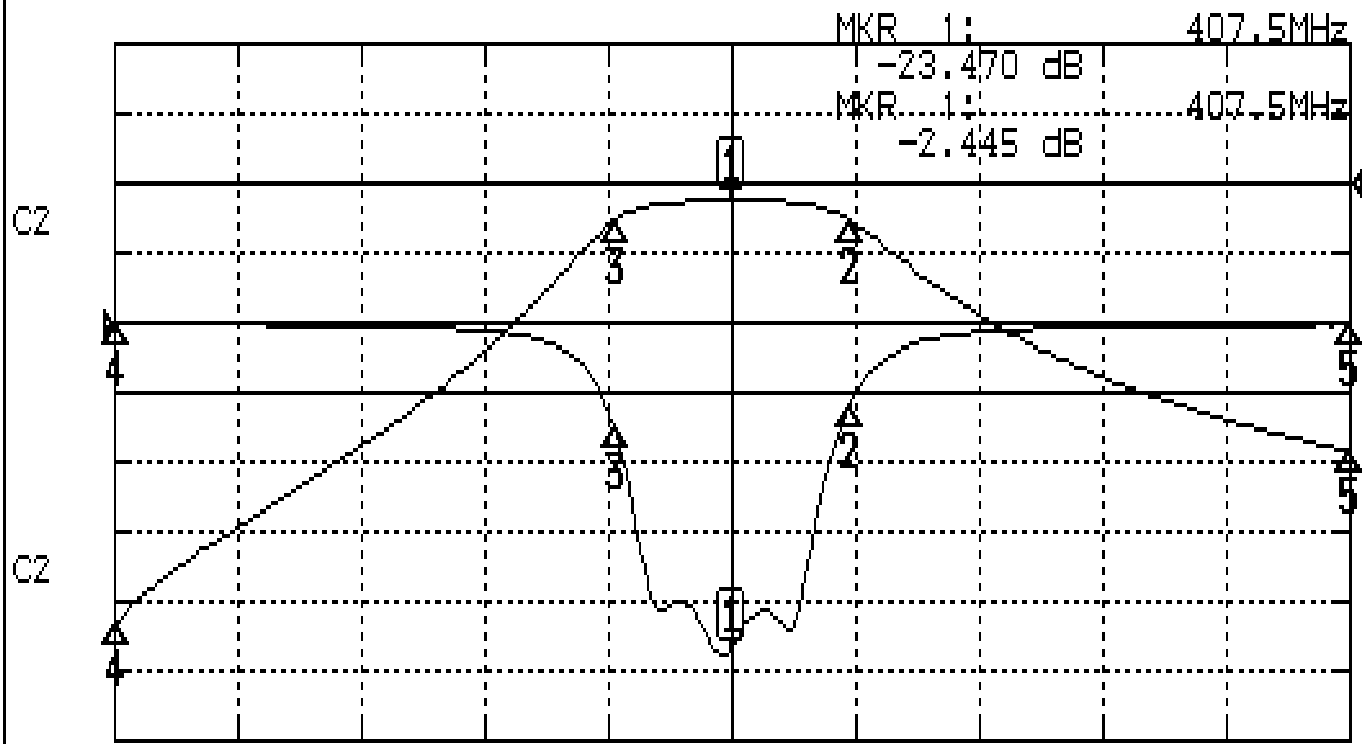
Approval	Supervisor	Designer	Aperture size
C.Y.Chang	C.K.Chang	C.H.Yeh	5R3S(3.8*4.2)(4.22) 5HW024LB3

TEMWELL CORPORATION

Performance-TTR3637F-407.5M

201906052C

CH1 S11 LOG MAG REF 0.000 dB 5.000 dB/
CH2 S21 LOG MAG REF 0.000 dB 10.000 dB/



CENTER 407.5MHz

[10.00 dBm]

SPAN 100MHz

CH1 MARKER LIST

Marker	Frequency (MHz)	Magnitude (dB)
1	407.500	-23.470
2	417.166	-15.842
3	398.000	-7.436
4	357.500	-0.100
5	457.500	-0.140

CH2 MARKER LIST

Marker	Frequency (MHz)	Magnitude (dB)
1	407.500	-2.445
2	417.166	-1.148
3	398.000	-1.454
4	357.500	-3.312
5	457.500	-3.403