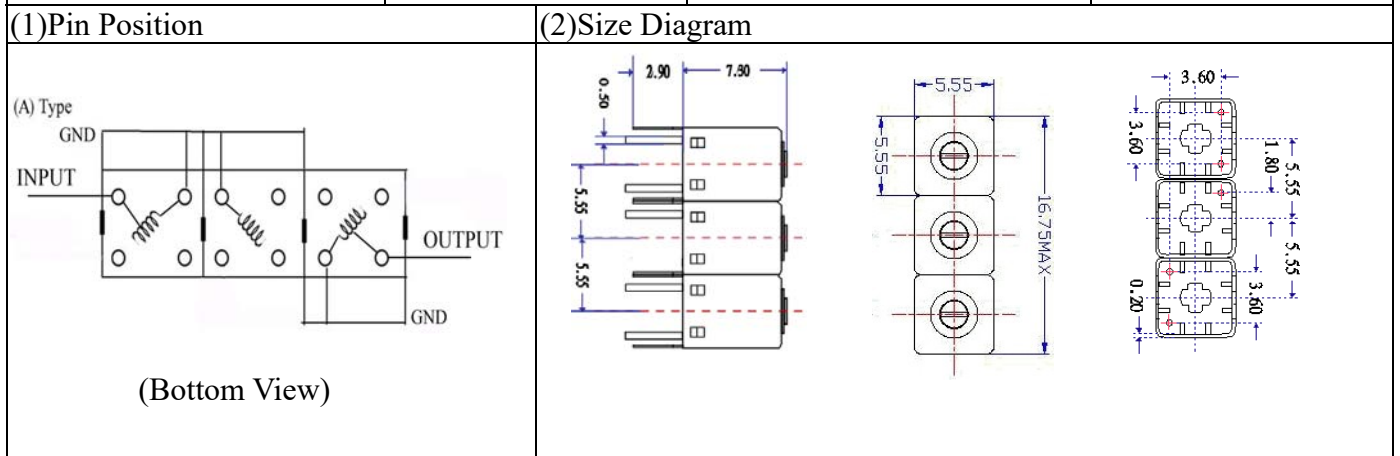


# VHF UHF Helical Filter Specification Sheet

Customer Name		Temwell's Part No.	TTR3637A-440M
Approval No. /dated		Temwell's print name	3637A 440M
Work Instruction No.	201505077CD	Date	Jul.07.2015



(3) Electric Chararistic

Item	Specify	
Center Freq.(Fo ) +/- 0.5 %	440	MHz
Insertion Loss	Typ. 4.0	dB
-3 dB Bandwidth	Typ. 17	MHz
Sensitivity (Attenuation )	Fo - 50 MHz	Typ. 39 dBc
	Fo + 50 MHz	Typ. 37 dBc
	Fo - ( )MHz	Typ. dBc
	Fo +( )MHz	Typ. dBc
Return Loss	Min. 12	dB
Ripple	< 1	dB
Impedance	In / Out : 50 Ω	

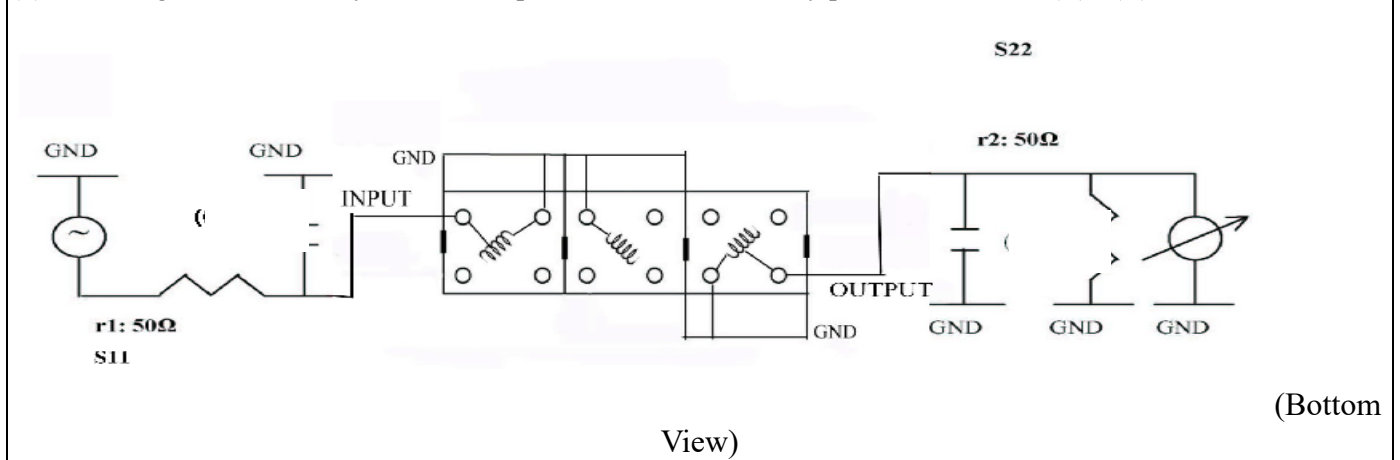
(4) Torque for Tuning Screw > 60gf · cm

(5) Temperature Condition:

Operating Temperature	0°C ~ +60°C
Storage Temperature	-20°C ~ +70°C

(6) Input Power > 0.5 Watt

(7) Measuring Circuit: ※Easy to match Impedance S11/S22 50Ω/ by parallel with about(--)/ (--).



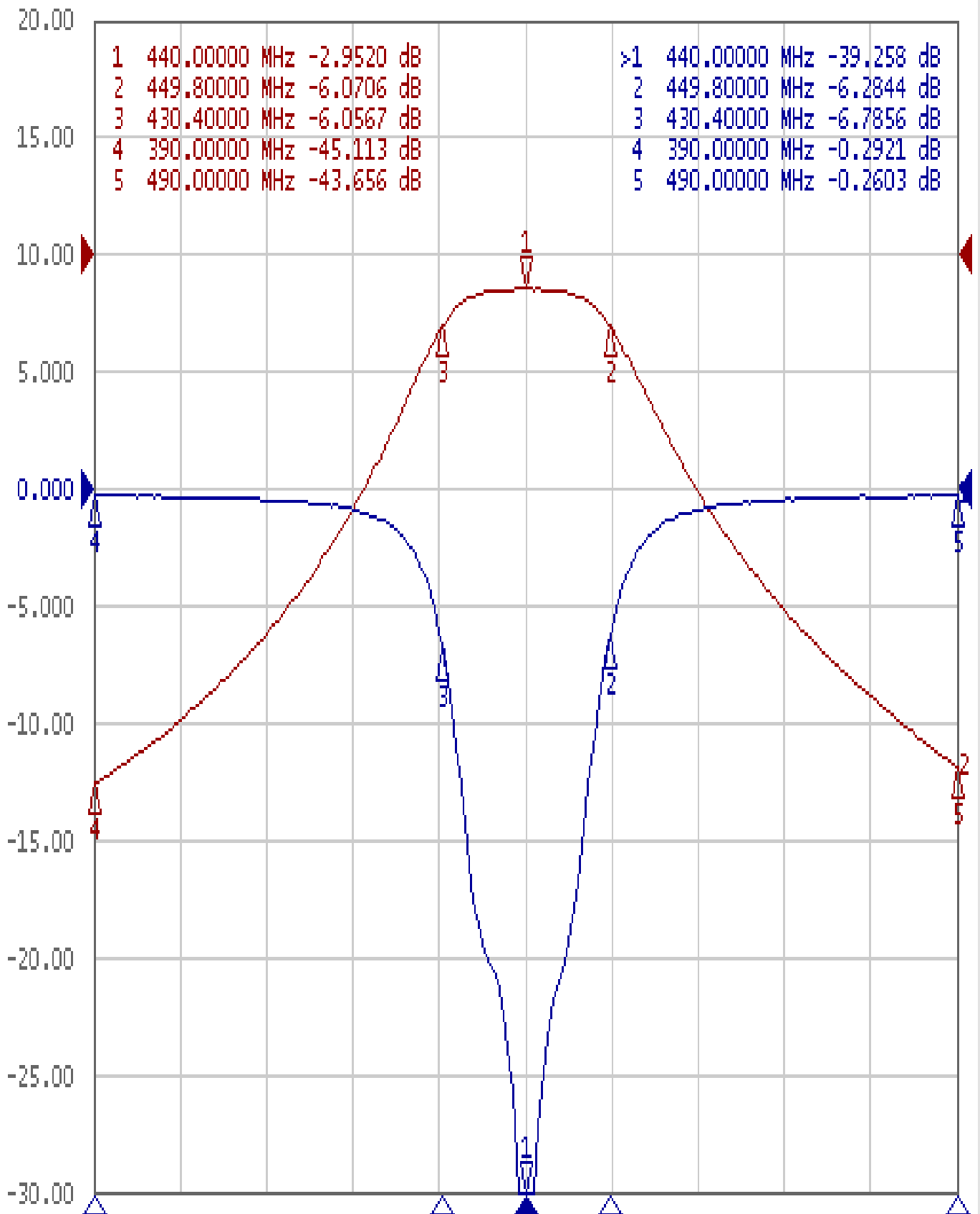
Approval	Supervisor	Designer	Aperture size
C.Y.Chang	C.K.Chang	W.W.Wang	5R3S(3.8*4.2)(5.20) 5HW024RB3

TEMWELL CORPORATION

# Performance-TTR3637A-440M

## 201505077CD

Tr1 S11 Log Mag 5.000dB/ Ref 0.000dB [F2]  
Tr2 S21 Log Mag 10.00dB/ Ref 0.000dB [F2]



1 Center 440 MHz

IFBW 70 kHz

Span 100 MHz Cor