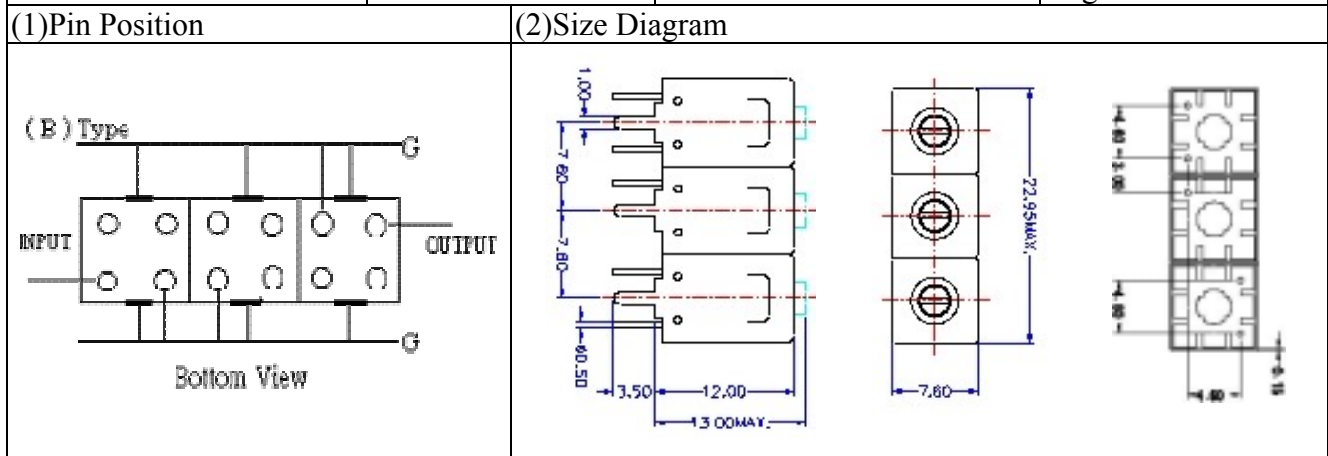


# VHF UHF Helical Filter Specification Sheet

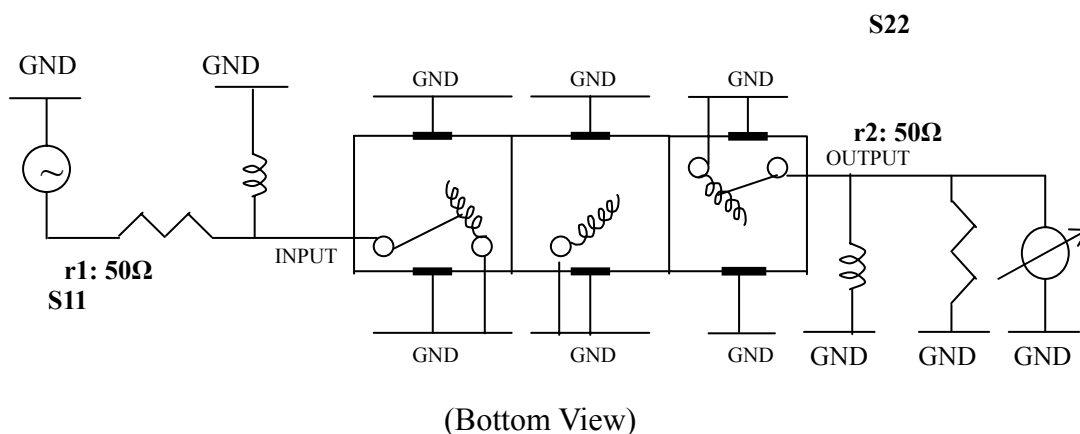
Customer Name		Temwell's Part No.	TT6832B-236M
Approval No. /dated		Customer's Print name	6832B 236M
Work Instruction No.	201008015A	Date	Aug.17.2010



(3) Electric Charasteric

Item		Specify	
Center Freq.(Fo ) +/- 0.5 %		236	MHz
Insertion Loss		Typ. 6.0	dB
-3 dB Bandwidth		Typ. 2	MHz
Sensitivity (Attenuation )	Fo - 10 MHz	Typ. 29	dBc
	Fo + 10 MHz	Typ. 29	dBc
	Fo - ( )MHz	Typ.	dBc
	Fo +( )MHz	Typ.	dBc
Return Loss		Min. 12	dB
Ripple		< 1	dB
Impedance		In / Out : 50 Ω	
(4)Torque for Tuning Screw		> 60gf cm	
(5)Temperature Condition:			
Operating Temperature		0 ~ +60	
Storage Temperature		-20 ~ +70	
(6)Input Power		> 1Watt	

(7)Measuring Circuit: Easy to match Impedance S11/S22 50Ω by parallel with about(- -) / (- -).

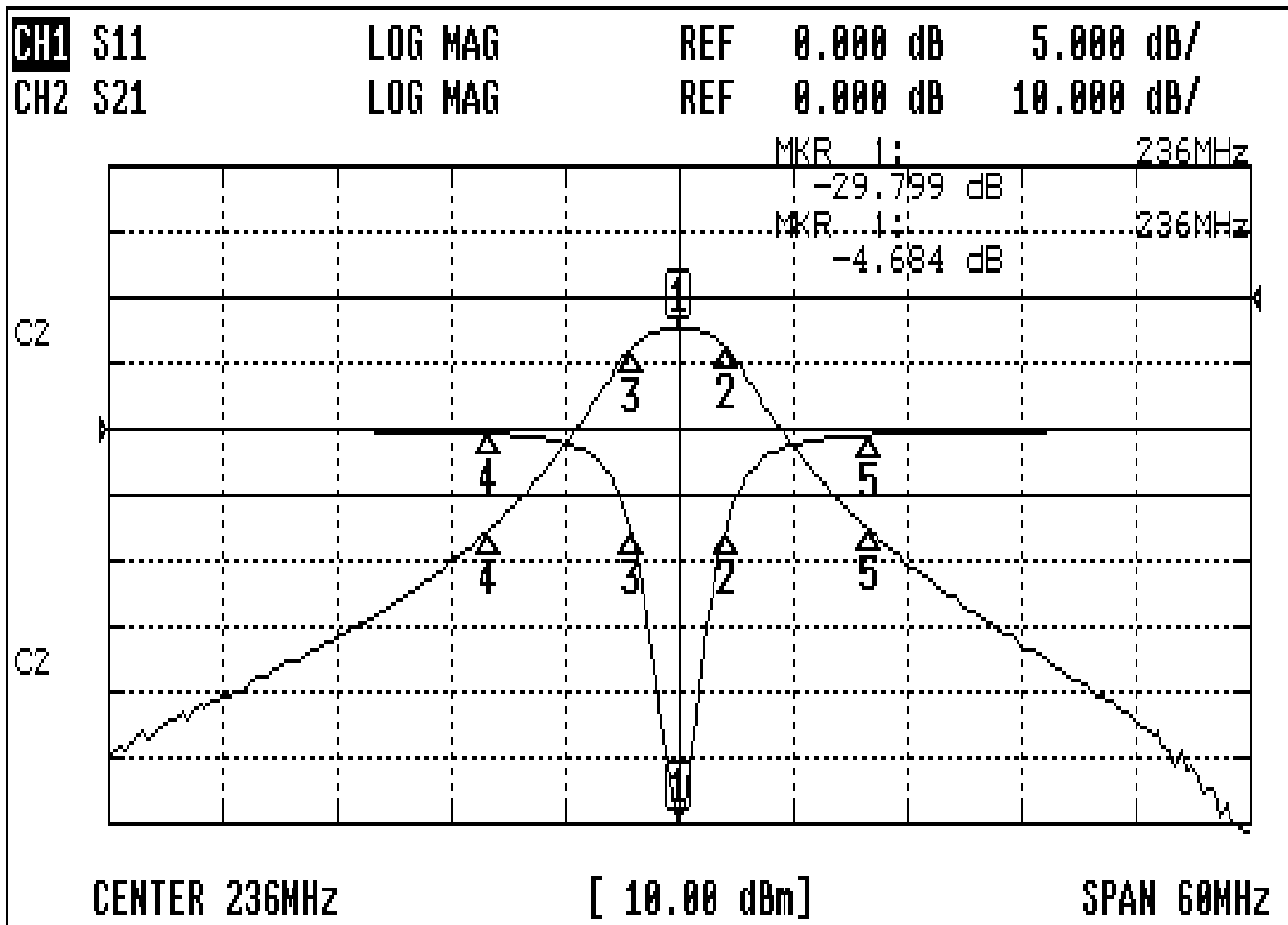


Approval C.Y.Chang	Supervisor C.K.Chang	Designer M.Y.Kang	Aperture size 7H3S(4*4.65)(4.68) 7H024LB4
-----------------------	-------------------------	----------------------	---

TEMWELL CORPORATION

# Performance-TT6832B-236M

## 201008015A



### CH1 MARKER LIST

1	236.000MHz	-29.799	dB	0.000000
2	236.450MHz	-7.684	dB	0.000000
3	236.550MHz	-10.000	dB	0.000000
4	226.000MHz	-0.253	dB	0.000000
5	246.000MHz	-0.441	dB	0.000000

### CH2 MARKER LIST

1	236.000MHz	-4.684	dB	0.000000
2	236.450MHz	-7.681	dB	0.000000
3	236.550MHz	-7.606	dB	0.000000
4	226.000MHz	-3.006	dB	0.000000
5	246.000MHz	-3.277	dB	0.000000