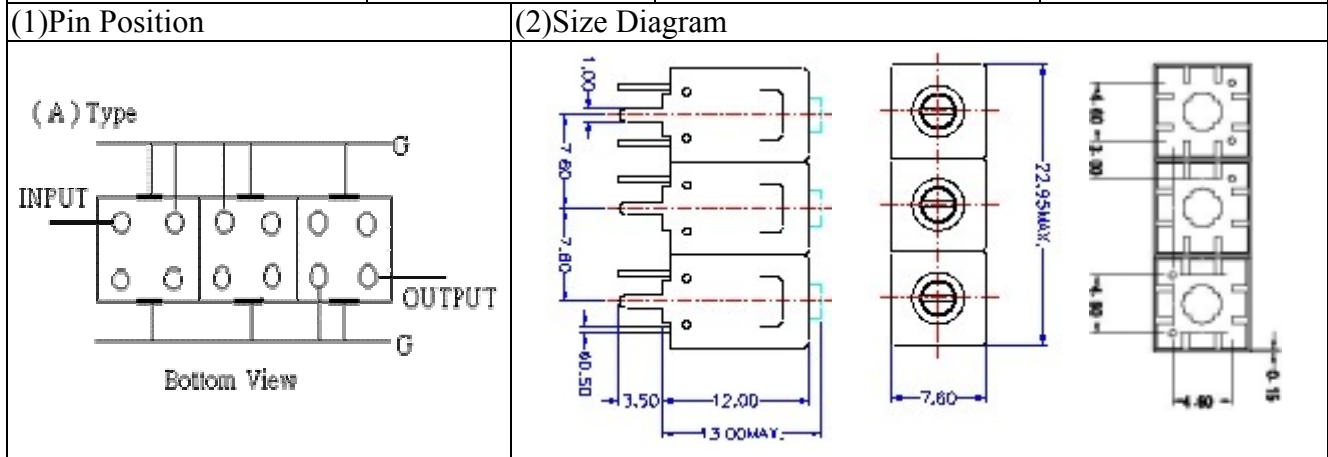
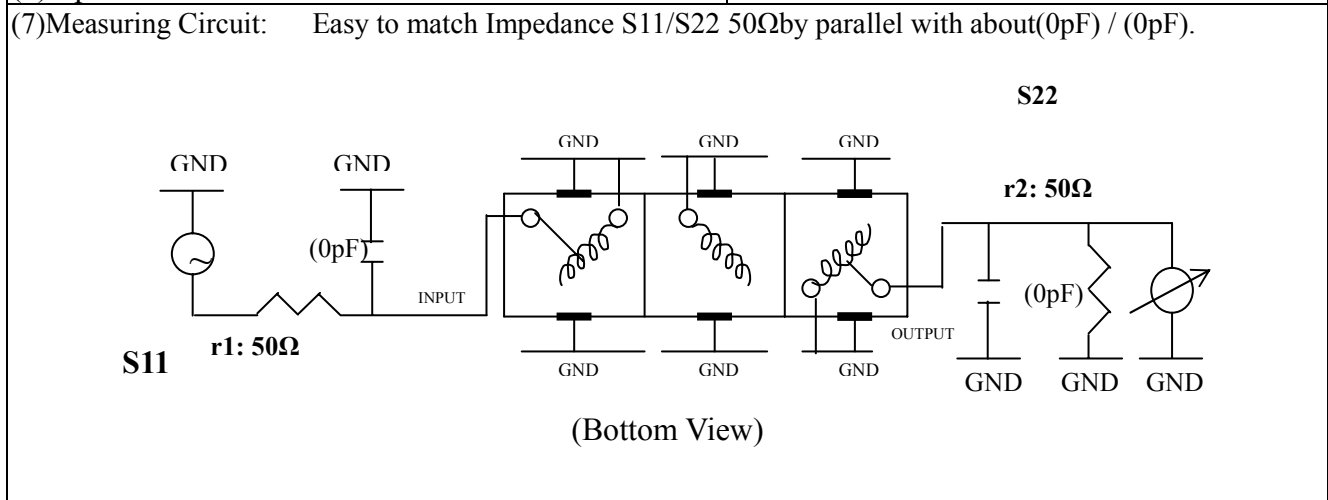


VHF UHF Helical Filter Specification Sheet

Customer Name		Temwell's Part No.	TT6814A-711M
Approval No. /dated	0804075APR	Customer's Print Name.	6814A 711M
Work Instruction No.	0806078A	Date	Jul.04.2008



(3) Electric Charasteric	
Item	Specify
Center Freq.(Fo) +/- 0.5 %	711 MHz
Tunable Range:	711±5 MHz
Insertion Loss	Typ. 6.0 dB
-3 dB Bandwidth	Typ. 5 MHz
Sensitivity (Attenuation)	Fo - 30 MHz Typ. 46 dBc
	Fo + 30 MHz Typ. 34 dBc
	Fo - ()MHz Typ. dBc
	Fo +()MHz Typ. dBc
Return Loss	Min. 12 dB
Ripple	< 1 dB
Impedance	In / Out : 50 Ω
(4) Torque for Tuning Screw	> 100gf cm
(5) Temperature Condition:	
Operating Temperature	0 ~ +60
Storage Temperature	-20 ~ +70
(6) Input Power	> 1Watt



Approval C.Y.Chang	Supervisor C.S.Chang	Designer W.S.Chen	Aperture size 7H3(4*4.65F) 7H046LB4 聚 3
-----------------------	-------------------------	----------------------	---

TEMWELL CORPORATION

Performance-TT6814A-711M

0806078A

