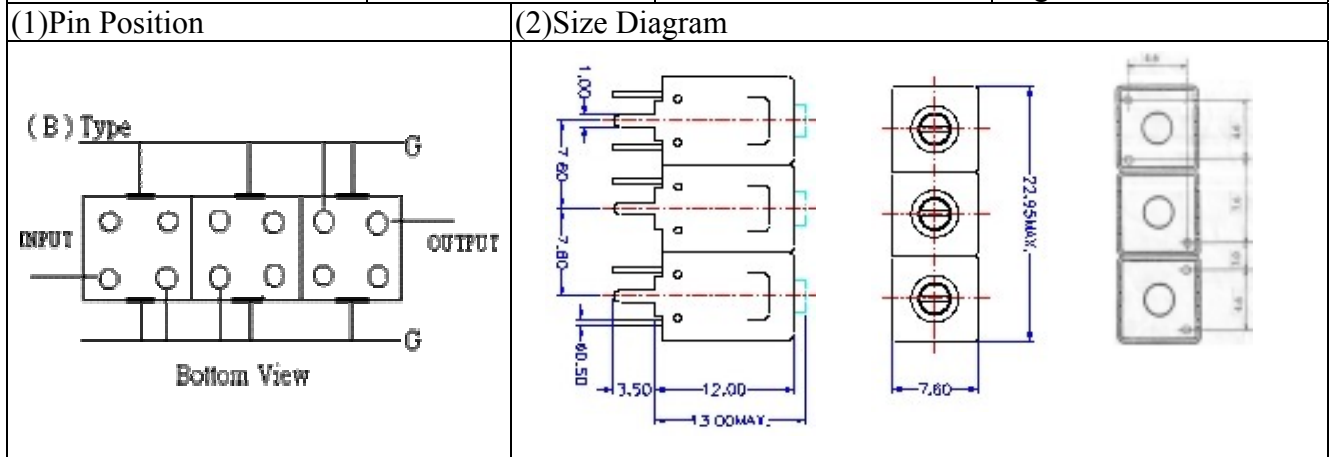
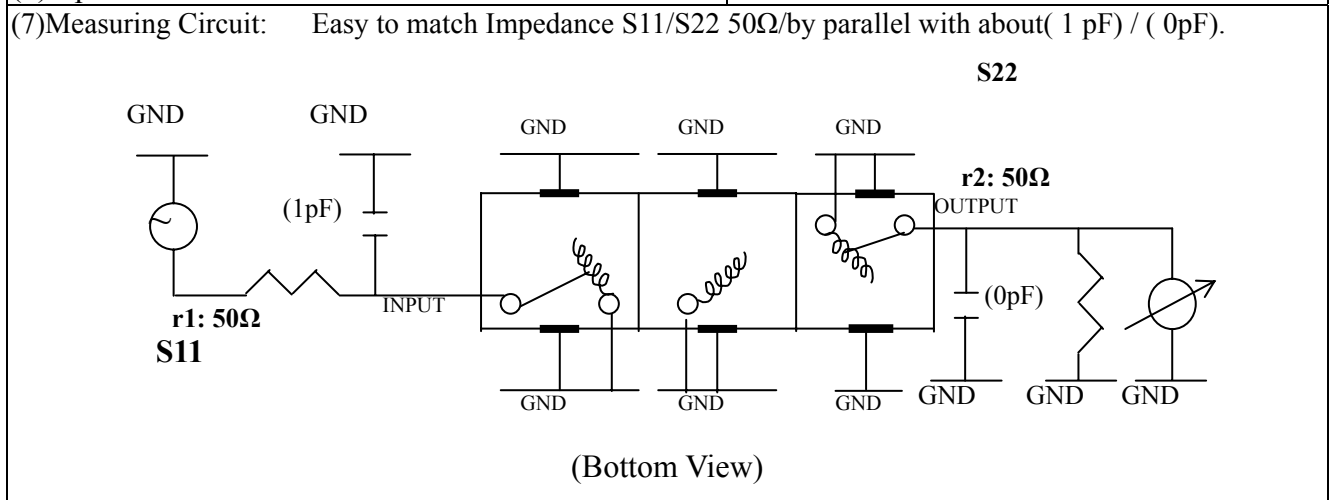


VHF UHF Helical Filter Specification Sheet

Customer Name		Temwell's Part No.	TT67866B-883M
Approval No. /dated	0607056APR	Temwell's print name	
Work Instruction No.	0607056C	Date	Aug.07.2006



(3) Electric Character		Specify	
Item			
Center Freq.(Fo) +/- 0.5 %		883 MHz	
Tunable Range		883±10 MHz	
Insertion Loss		Typ.	2.5 dB
-3 dB Bandwidth		Typ.	145 MHz
Sensitivity (Attenuation)	Fo - 200 MHz	Typ.	38 dBc
	Fo + 200 MHz	Typ.	16 dBc
	Fo - ()MHz	Typ.	dBc
	Fo +()MHz	Typ.	dBc
Return Loss		Min.	12 dB
Ripple		< 1 dB	
Impedance		In / Out : 50 Ω	
(4) Torque for Tuning Screw		> 100gf · cm	
(5) Temperature Condition:			
Operating Temperature		0 ~ +60	
Storage Temperature		-20 ~ +70	
(6) Input Power		> 1Watt	



Approval	Supervisor	Designer	Aperture size
C.Y.Chang	C.S.Chang	C.S.Chang	7H3S(4*8.0)F 7H046RB6.5

TEMWELL CORPORATION

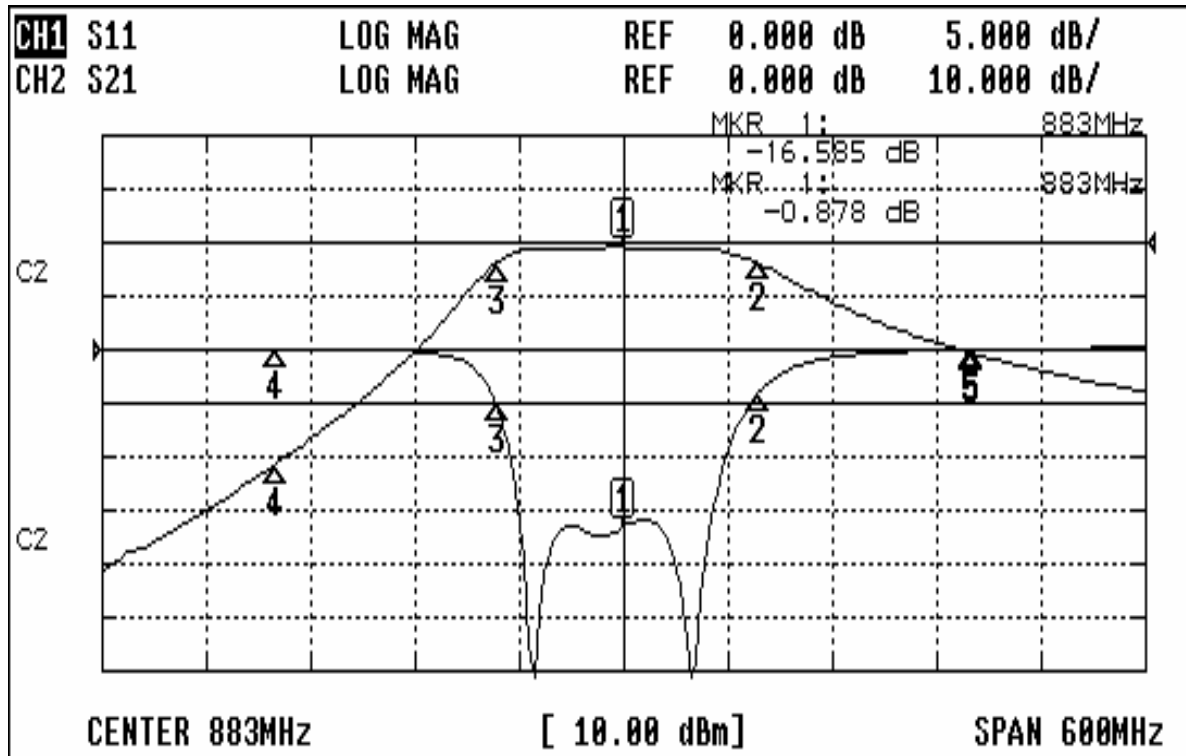
TEMWELL

Form10-7H3B Vision D

RP:C.S.Chang

Performance-TT67866B-883M

0607056C



CH1 MARKER LIST

1:	883.000MHz	-16.585 dB
2:	960.000MHz	-4.159 dB
3:	810.000MHz	-5.045 dB
4:	683.000MHz	0.054 dB
5:	1.083 000GHz	0.016 dB

CH2 MARKER LIST

1:	883.000MHz	-0.882 dB
2:	960.000MHz	-3.853 dB
3:	810.000MHz	-3.811 dB
4:	683.000MHz	-41.286 dB
5:	1.083 000GHz	-20.620 dB