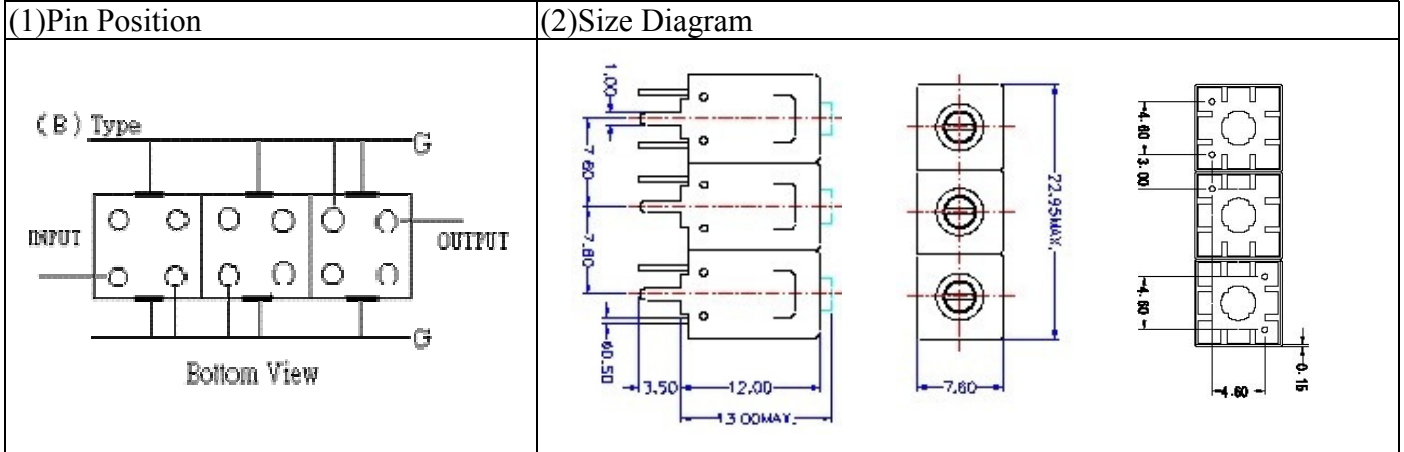
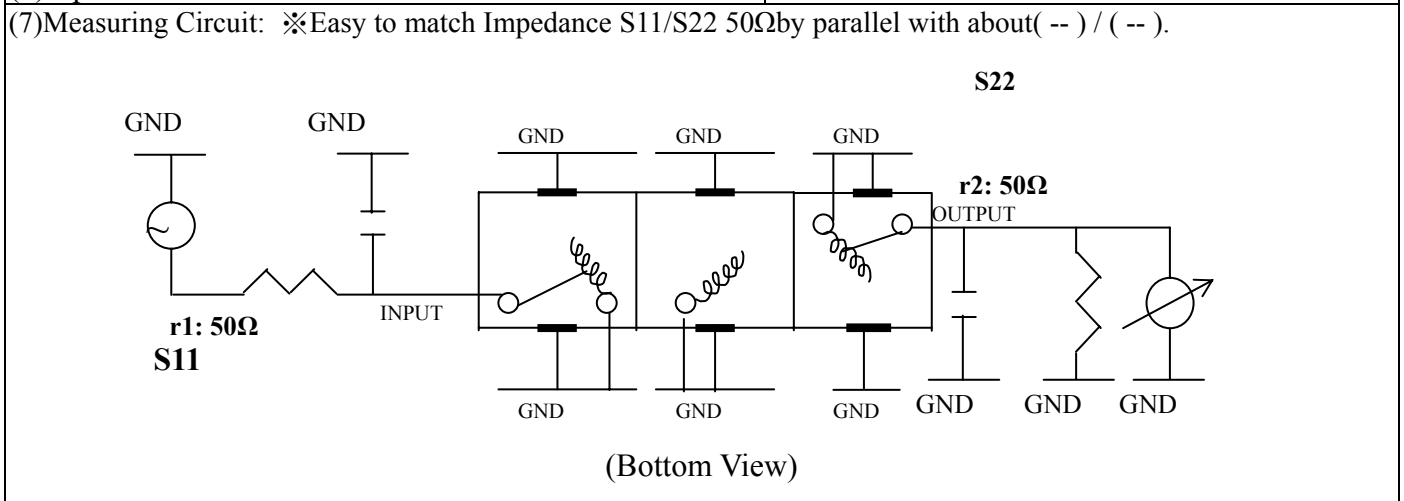


VHF UHF Helical Filter Specification Sheet

Customer Name		Temwell's Part No.	TT67838B-700M
Approval No. /dated	201406004CD	Temwell's Print name.	67838B 700M
Work Instruction No.	201406004CD	Date	Jun.11.2014



(3) Electric Chararistic		Item	Specify
Center Freq.(Fo) +/- 0.5 %			700 MHz
Insertion Loss		Typ.	4.5 dB
-3 dB Bandwidth		Typ.	10 MHz
Sensitivity (Attenuation)	Fo - (50) MHz	Typ.	45 dBc
	Fo + (50) MHz	Typ.	35 dBc
	Fo - () MHz	Typ.	dBc
	Fo + () MHz	Typ.	dBc
Return Loss		Min.	12 dB
Ripple			< 1 dB
Impedance			In / Out : 50 Ω
(4) Torque for Tuning Screw			> 60gf · cm
(5) Temperature Condition:			
Operating Temperature			0°C ~ +60°C
Storage Temperature			-20°C ~ +70°C
(6) Input Power			> 1Watt



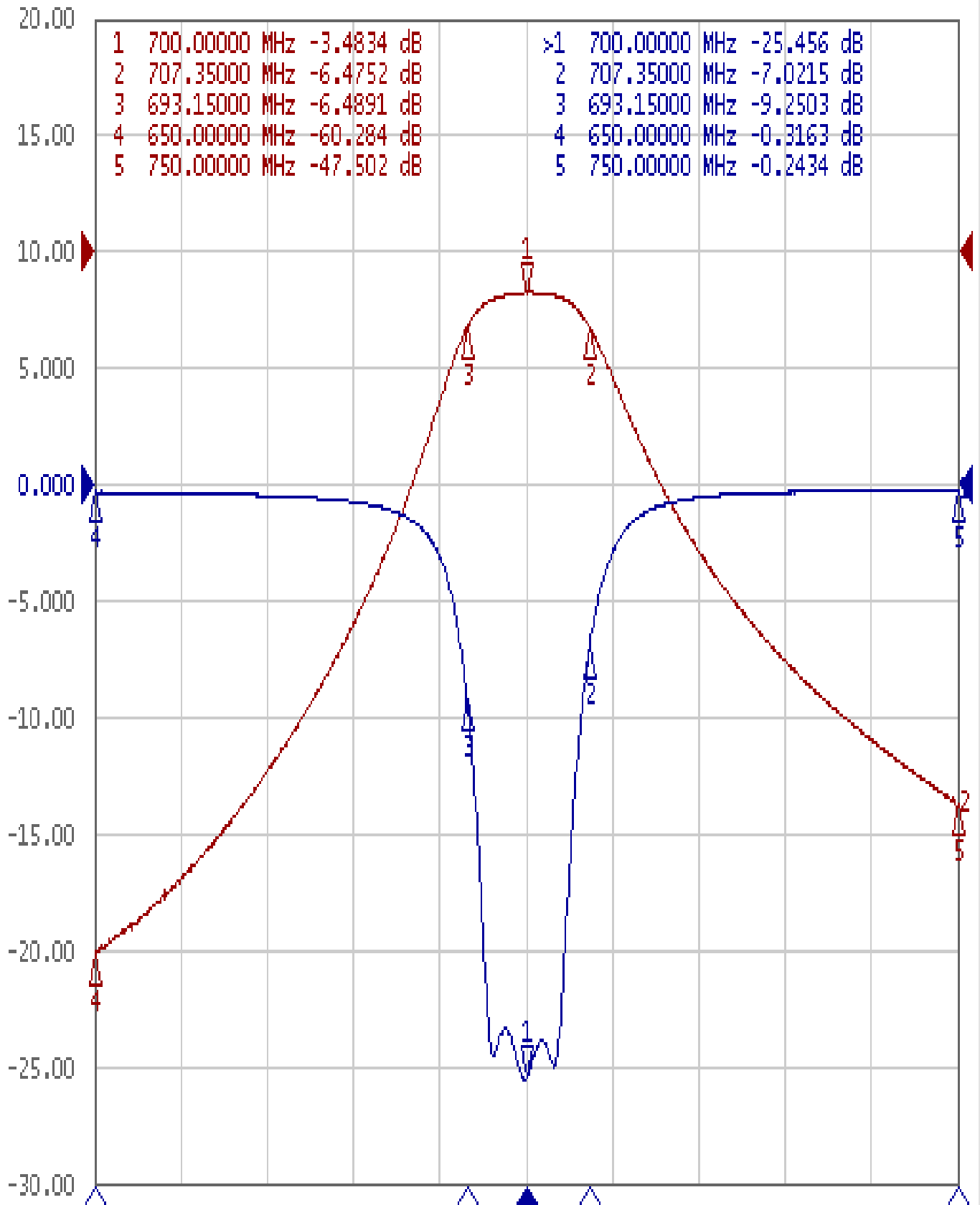
Approval	Supervisor	Designer	Aperture size
C.Y.Chang	C.K.Chang	F.L.Lai	7H3S(4*4.65)(4.69) 7H046RB4
TEMWELL CORPORATION			

Performance-TT67838B-700M

201406004CD

▶ Tr1 S11 Log Mag 5.000dB/ Ref 0.000dB [F2]

Tr2 S21 Log Mag 10.00dB/ Ref 0.000dB [F2]



1 Center 700 MHz

IFBW 10 kHz

Span 100 MHz Cor !