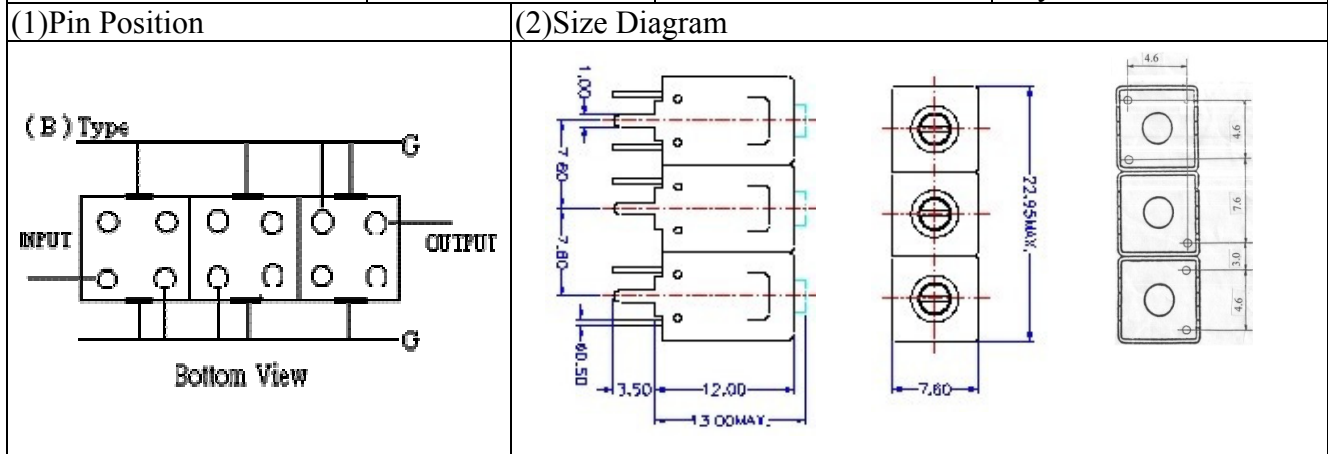


# VHF UHF Helical Filter Specification Sheet

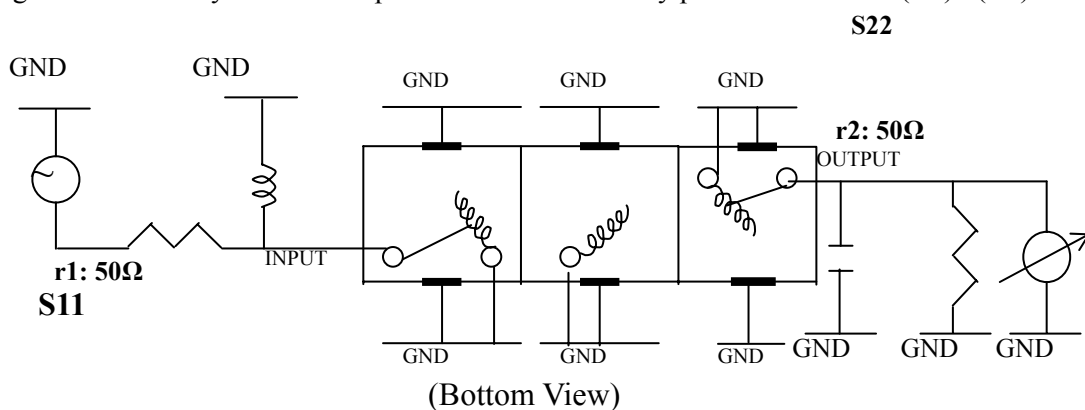
Customer Name		Temwell's Part No.	TT67805B-898M
Approval No. /dated		Temwell's print name	67805B 898M
Work Instruction No.	201205019BD	Date	May.03.2012



(3) Electric Character

Item	Specify	
Center Freq.(Fo ) +/- 0.5 %	898	MHz
Insertion Loss	Typ. 2.5	dB
-3 dB Bandwidth	Typ. 60	MHz
Sensitivity (Attenuation)	Fo - 120 MHz	Typ. 41 dBc
	Fo + 120 MHz	Typ. 22 dBc
	Fo - ( )MHz	Typ. dBc
	Fo +( )MHz	Typ. dBc
Return Loss	Min. 12	dB
Ripple	< 1	dB
Impedance	In / Out : 50 Ω	
(4) Torque for Tuning Screw	> 60gf · cm	
(5) Temperature Condition:		
Operating Temperature	0°C ~ +60°C	
Storage Temperature	-20°C ~ +70°C	
(6) Input Power	> 1Watt	

(7) Measuring Circuit: ※Easy to match Impedance S11/S22 50Ω/by parallel with about( -- ) / ( -- ).



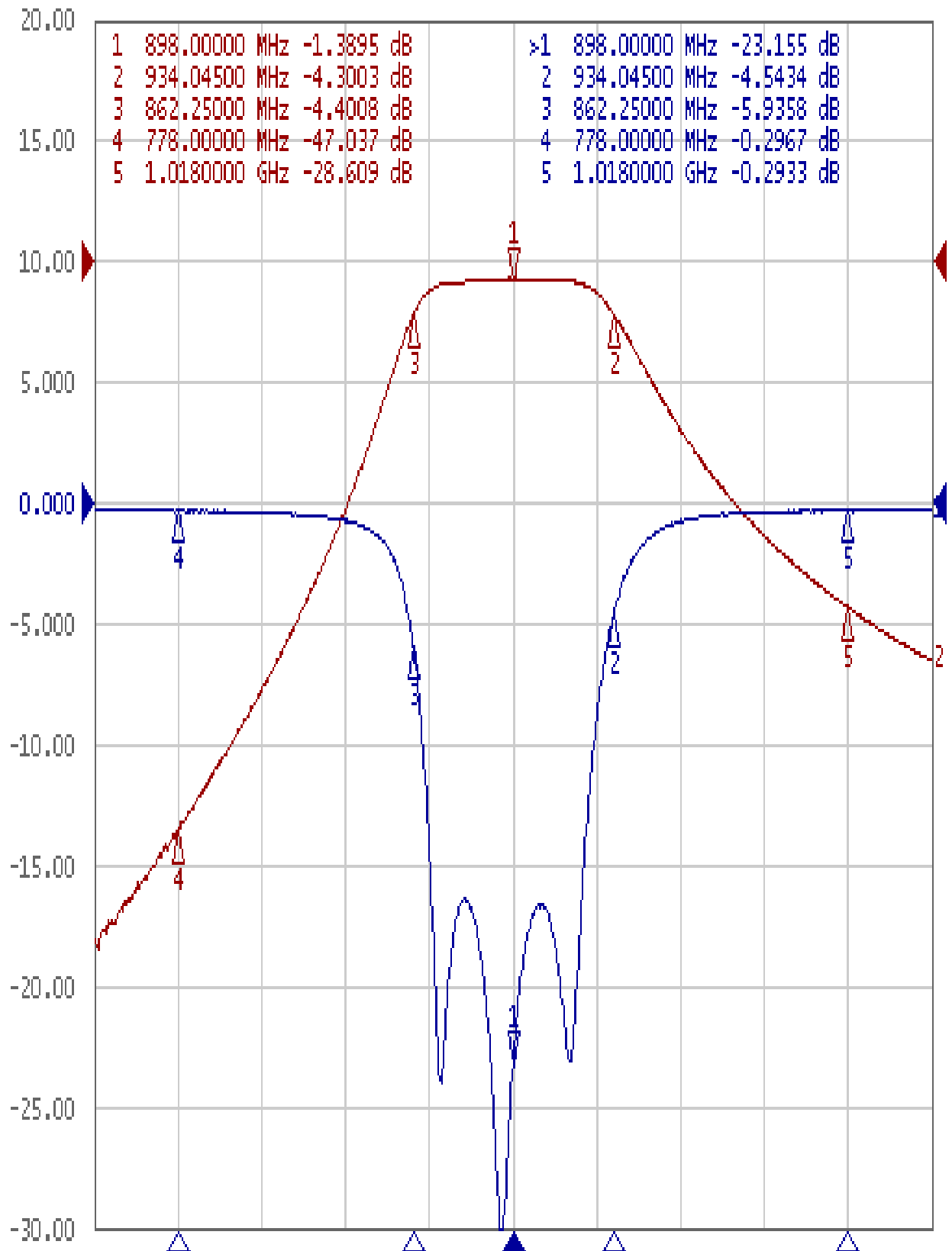
Approval C.Y.Chang	Supervisor C.K.Chang	Designer F.L.Lai	Aperture size 7H3S(4*6.35)(6.40) 7H046RB5.5
-----------------------	-------------------------	---------------------	---

TEMWELL CORPORATION

# Performance-TT67805B-898M

## 201205019BD

Tr1 S11 Log Mag 5.000dB/ Ref 0.000dB [F2]  
Tr2 S21 Log Mag 10.00dB/ Ref 0.000dB [F2]



1 Center 898 MHz

IFBW 70 kHz

Span 300 MHz

Cor !