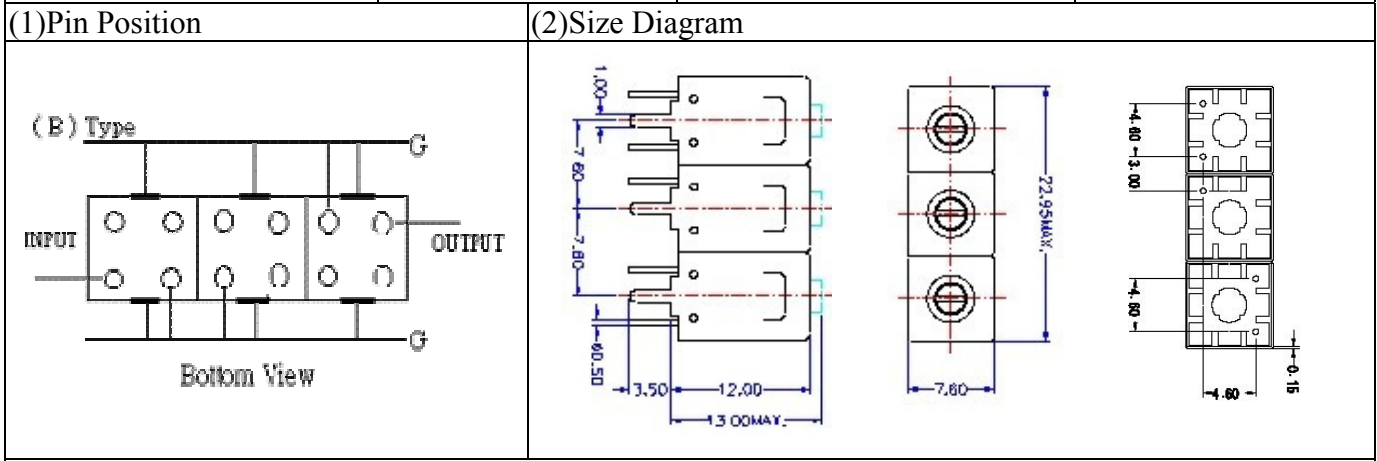


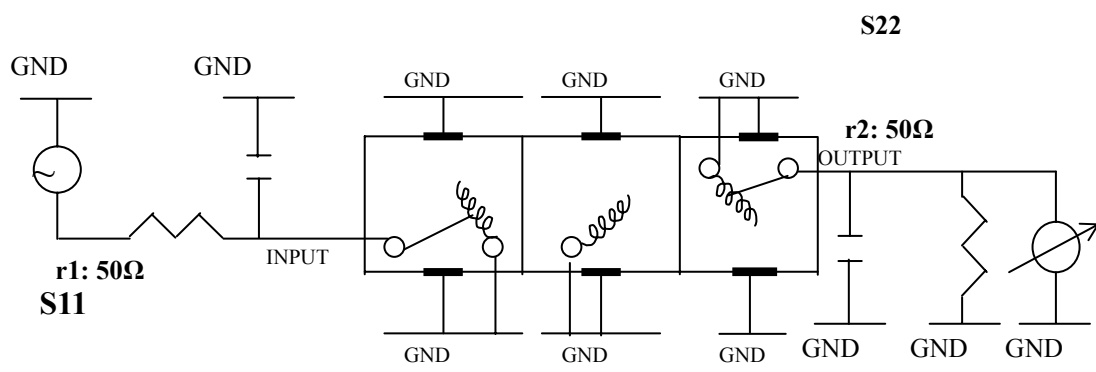
VHF UHF Helical Filter Specification Sheet

Customer Name		Temwell's Part No.	TT67796B-700M
Approval No. /dated	201406008CD	Temwell's Print name.	67796B 700M
Work Instruction No.	201406008CD	Date	Jun.13.2014



(3) Electric Characteristic		Item	Specify
Center Freq.(Fo) +/- 0.5 %			700 MHz
Insertion Loss		Typ.	2.5 dB
-3 dB Bandwidth		Typ.	50 MHz
Sensitivity (Attenuation)	Fo - (100) MHz	Typ.	39 dBc
	Fo + (100) MHz	Typ.	25 dBc
	Fo - () MHz	Typ.	dBc
	Fo + () MHz	Typ.	dBc
Return Loss		Min.	12 dB
Ripple			< 1 dB
Impedance			In / Out : 50 Ω
(4) Torque for Tuning Screw			> 60gf · cm
(5) Temperature Condition:			
Operating Temperature			0°C ~ +60°C
Storage Temperature			-20°C ~ +70°C
(6) Input Power			> 1Watt

(7) Measuring Circuit: ※Easy to match Impedance S11/S22 50Ω by parallel with about(--) / (--).



Approval	Supervisor	Designer	Aperture size
C.Y.Chang	C.K.Chang	F.L.Lai	7H3S(4*5.5)(5.59) 7H046RB5.5

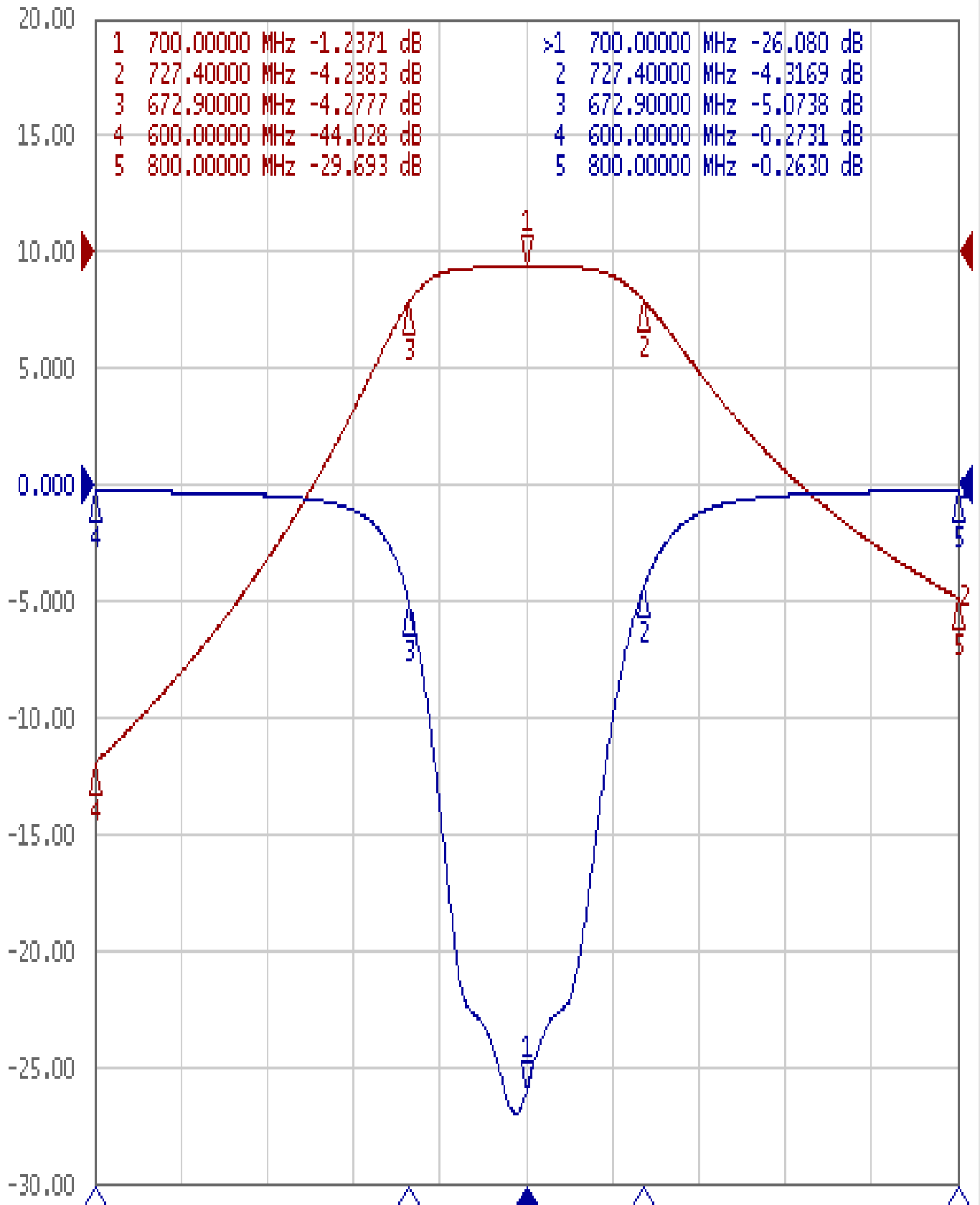
TEMWELL CORPORATION

Performance-TT67796B-700M

201406008CD

Tr1 S11 Log Mag 5.000dB/ Ref 0.000dB [F2]

Tr2 S21 Log Mag 10.00dB/ Ref 0.000dB [F2]



1 Center 700 MHz

IFBW 10 kHz

Span 200 MHz Cor !