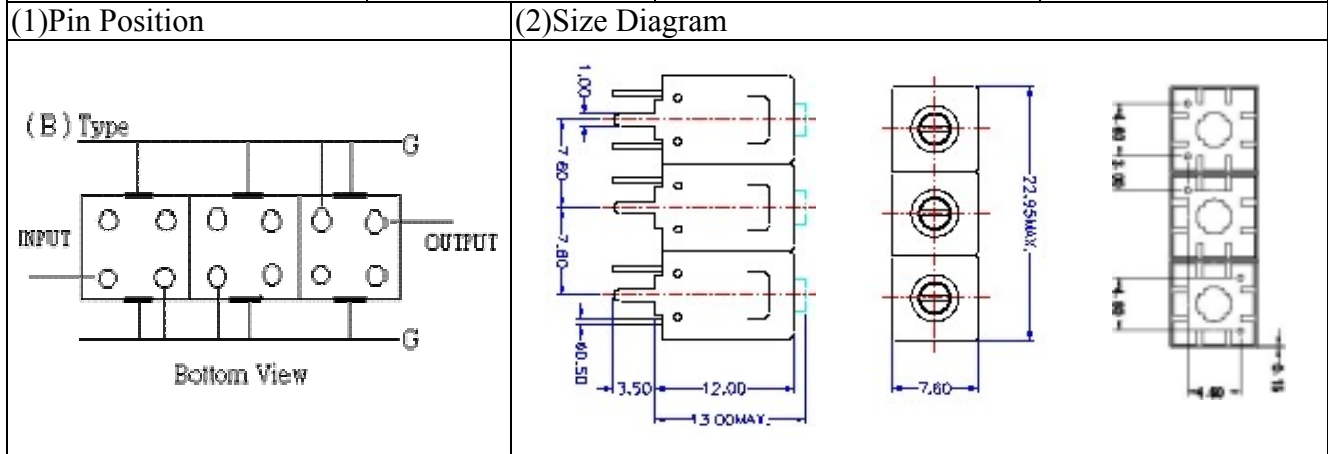


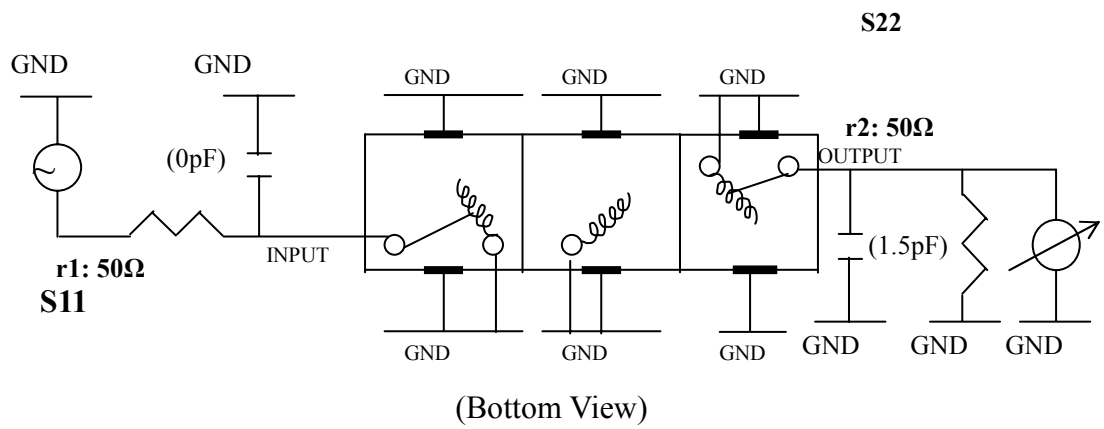
VHF UHF Helical Filter Specification Sheet

Customer Name		Temwell's Part No.	TT6778B-435M
Approval No. /dated	0610028APR	Customer's Print Name.	6778B 435M
Work Instruction No.	0707292C	Date	Oct.03.2007



Item		Specify	
Center Freq.(Fo) +/- 0.75 %		435	MHz
Tunable Range:		435±5	MHz
Insertion Loss		Typ. 3.0	dB
-3 dB Bandwidth		Typ. 20	MHz
Sensitivity (Attenuation)	Fo - 50 MHz	Typ. 48	dBc
	Fo + 50 MHz	Typ. 42	dBc
	Fo - ()MHz	Typ.	dBc
	Fo +()MHz	Typ.	dBc
Return Loss		Min. 12	dB
Ripple		< 1	dB
Impedance		In / Out : 50 Ω	
(4) Torque for Tuning Screw		> 100gf cm	
(5) Temperature Condition:			
Operating Temperature		-30 ~ +70	
Storage Temperature		-30 ~ +80	
(6) Input Power		> 1Watt	

(7) Measuring Circuit: Easy to match Impedance S11/S22 50Ω by parallel with about (0pF) / (1.5pF).

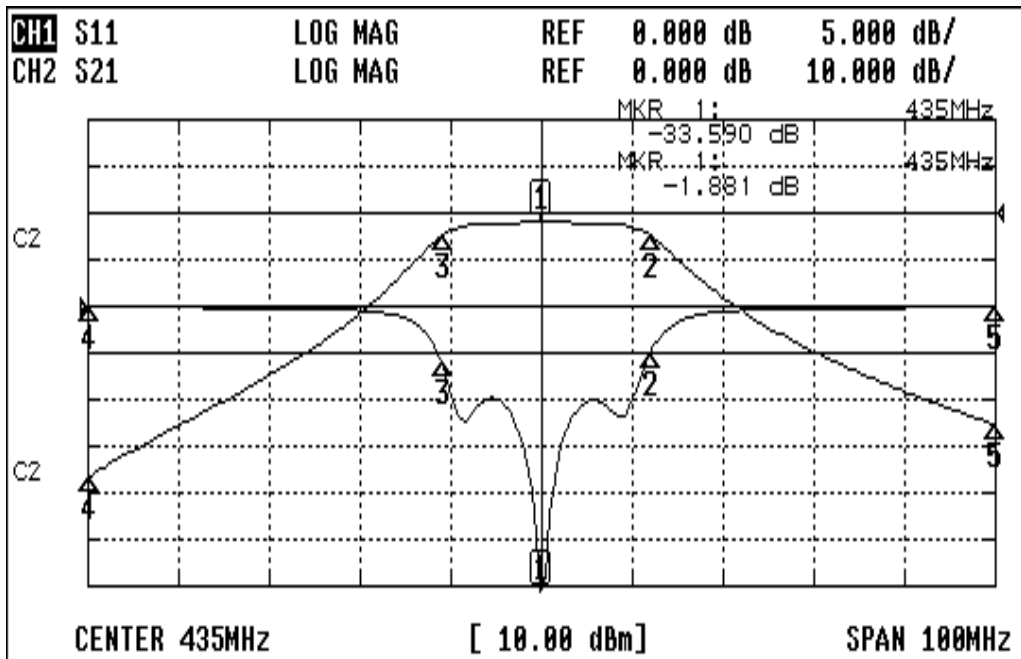


Approval	Supervisor	Designer	Aperture size
C.Y.Chang	C.S.Chang	J.F.Lin	7H3S(4*7.5)(7.56)F 7H046LB4 聚 3

TEMWELL CORPORATION

Performance-TT6778B-435M

0707292C



CH1 MARKER LIST

1:	435.000MHz	-33.617	dB
2:	447.000MHz	-1.112	dB
3:	424.000MHz	-1.877	dB
4:	385.000MHz	-0.111	dB
5:	485.000MHz	-0.117	dB
6:			
7:			
8:			
9:			
10:			

CH2 MARKER LIST

1:	435.000MHz	-1.881	dB
2:	447.000MHz	-4.864	dB
3:	424.000MHz	-4.906	dB
4:	385.000MHz	-5.344	dB
5:	485.000MHz	-45.373	dB
6:			
7:			
8:			
9:			
10:			