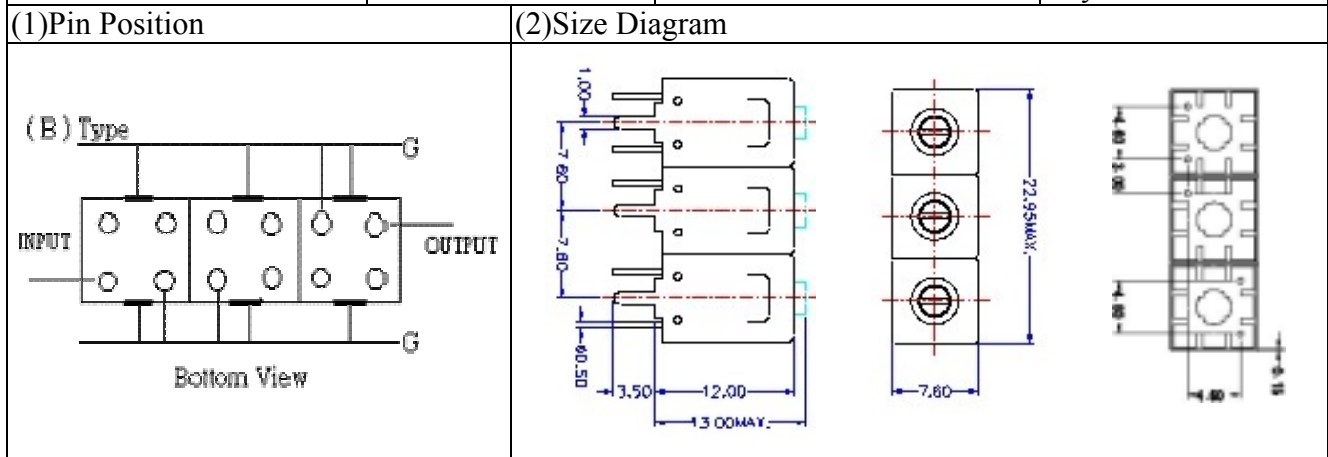
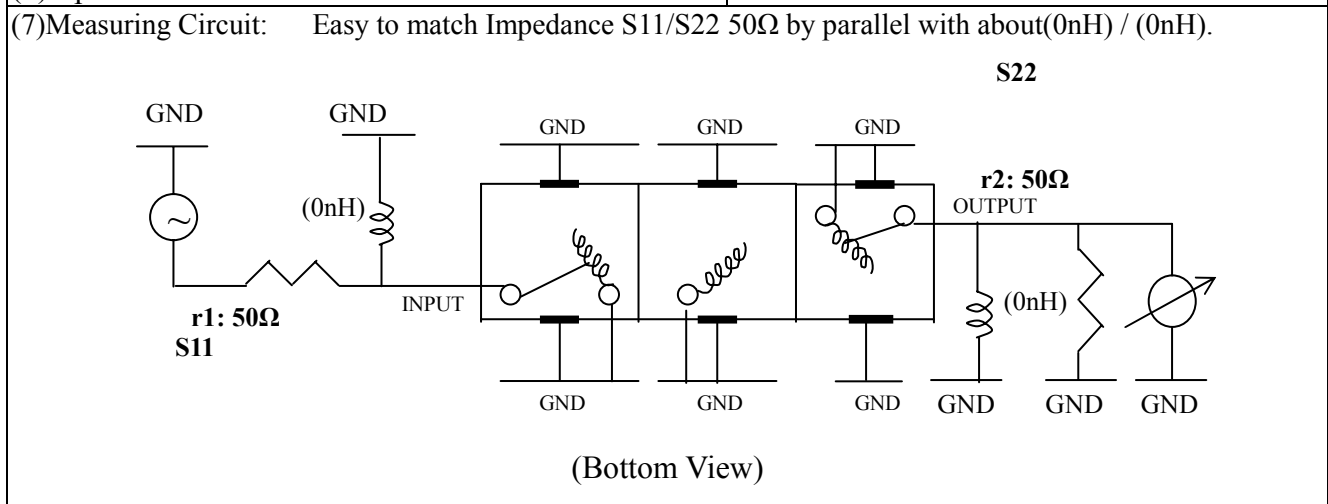


# VHF UHF Helical Filter Specification Sheet

Customer Name		Temwell's Part No.	TT6775B-480M
Approval No. /dated	0609006APR	Temwell's Print name	6775B 480M
Work Instruction No.	0807002A	Date	July.23.2008



(3) Electric Characteristic	
Item	Specify
Center Freq.(Fo) +/- 0.5 %	480 MHz
Tunable Range:	480±5 MHz
Insertion Loss	Typ. 2.0 dB
-3 dB Bandwidth	Typ. 25 MHz
Sensitivity (Attenuation)	Fo - 60 MHz    Type    40 dBc
	Fo + 60MHz    Type    30 dBc
	Fo - ( )MHz    Type    dBc
	Fo +( )MHz    Type    dBc
Return Loss	Min. 12 dB
Ripple	< 1 dB
Impedance	In / Out : 50 Ω
(4) Torque for Tuning Screw	
> 100gf. cm	
(5) Temperature Condition:	
Operating Temperature	0 ~ +60
Storage Temperature	-20 ~ 70
(6) Input Power	
> 1Watt	

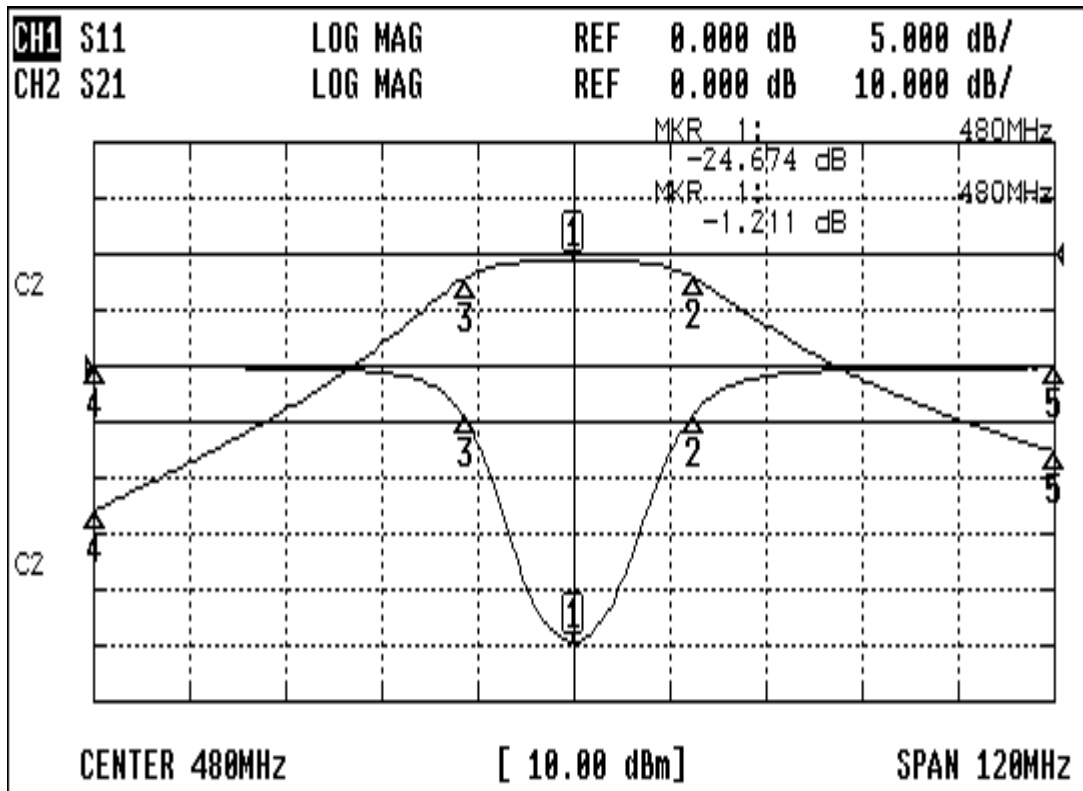


Approval	Supervisor	Designer	Aperture size
C.Y.Chang	C.S.Chang	W.S.Chen	7H3S(4*7.5F) 7H046LB4 聚 3

TEMWELL CORPORATION

# Performance-TT6775B-480M

## 0807002A



CH1 MARKER LIST		
1:	480.000MHz	-24.662 dB
2:	495.000MHz	-4.311 dB
3:	466.400MHz	-4.607 dB
4:	420.000MHz	-0.099 dB
5:	540.000MHz	-0.141 dB
6:		
7:		
8:		
9:		
10:		

CH2 MARKER LIST		
1:	480.000MHz	-1.211 dB
2:	495.000MHz	-4.229 dB
3:	466.400MHz	-4.249 dB
4:	420.000MHz	-45.749 dB
5:	540.000MHz	-35.239 dB
6:		
7:		
8:		
9:		
10:		