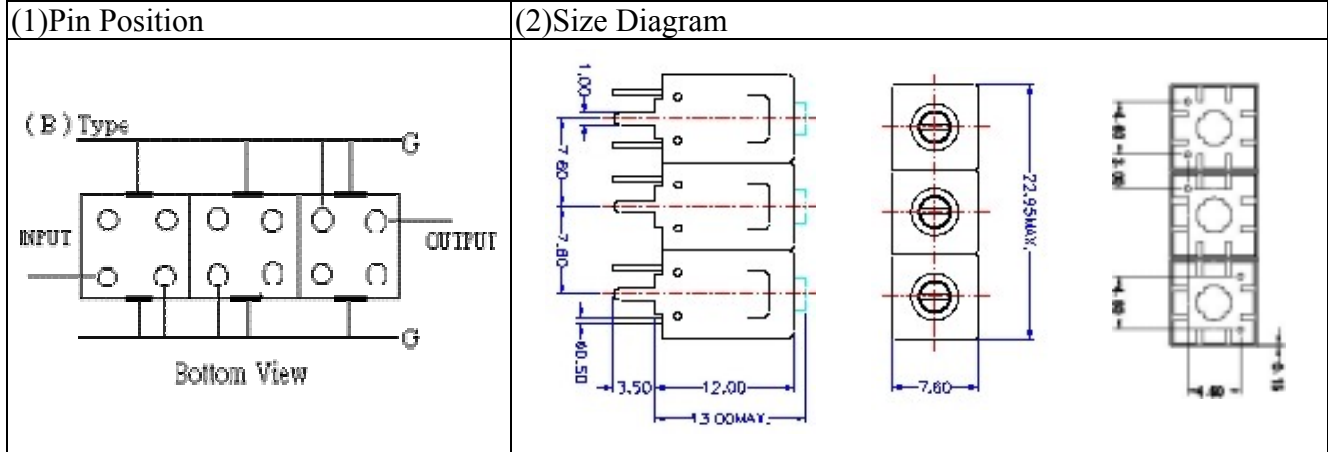
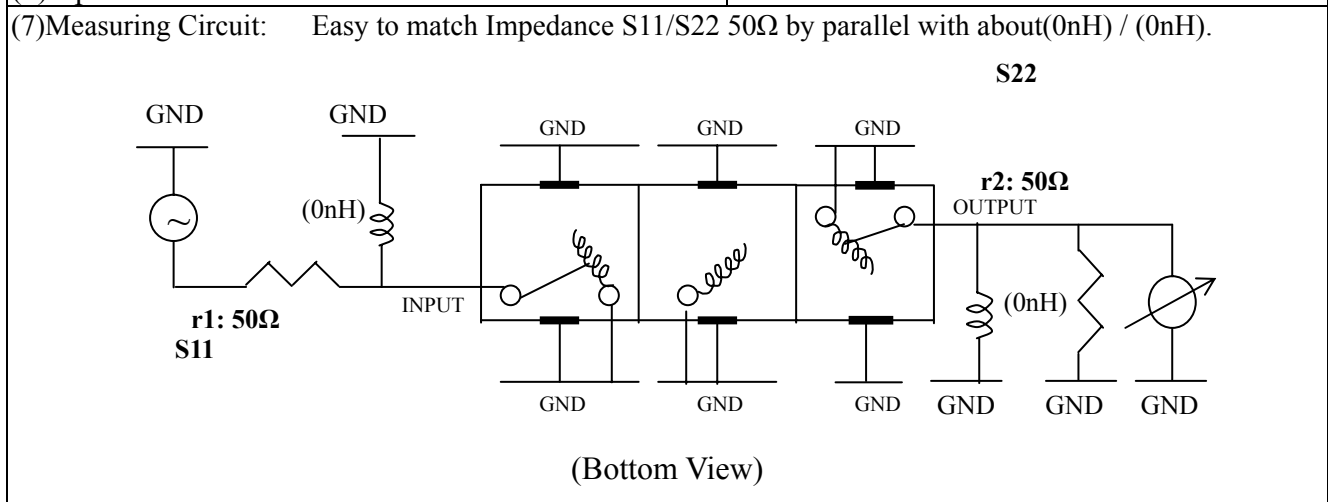


# VHF UHF Helical Filter Specification Sheet

Customer Name		Temwell's Part No.	TT67709B-171M
Approval No. /dated	0809057C	Customer's Print name	67709B 171M
Work Instruction No.	200809057C	Date	Sep.22.2008



(3) Electric Charasteric	
Item	Specify
Center Freq.(Fo ) +/- 0.5 %	171 MHz
Insertion Loss	Typ. 3.5 dB
-3 dB Bandwidth	Typ. 5 MHz
Sensitivity (Attenuation )	Fo - 10 MHz Typ. 28 dBc
	Fo + 10 MHz Typ. 22 dBc
	Fo - ( )MHz Typ. dBc
	Fo +( )MHz Typ. dBc
Return Loss	Min. 12 dB
Ripple	< 1 dB
Impedance	In / Out : 50 Ω
(4) Torque for Tuning Screw	> 100gf cm
(5) Temperature Condition:	
Operating Temperature	0 ~ +60
Storage Temperature	-20 ~ +70
(6) Input Power	> 1Watt

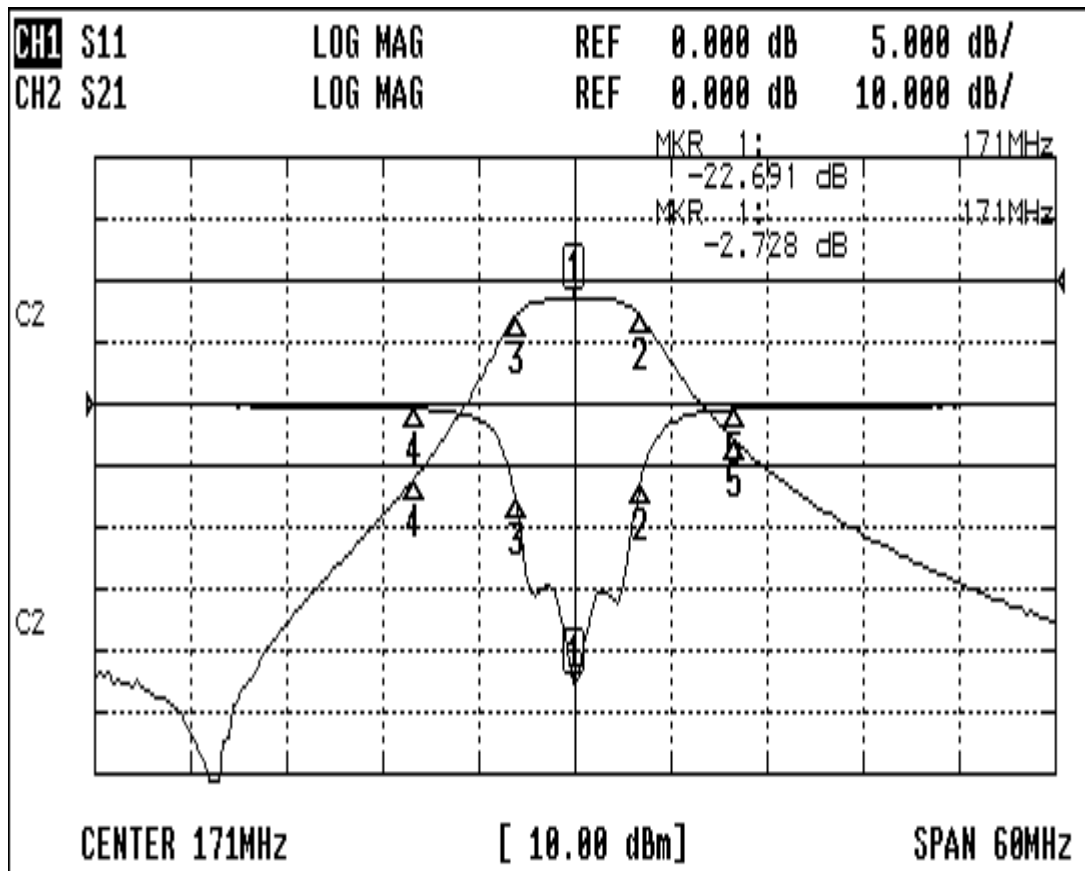


Approval C.Y.Chang	Supervisor C.S.Chang	Designer C.H.Yeh	Aperture size 7H3S(4*6.5F) (7H024RB4)
-----------------------	-------------------------	---------------------	---

TEMWELL CORPORATION

# Performance-TT67709B-171M

## 200809057C



### CH1 MARKER LIST

1:	171.000MHz	-22.691 dB
2:	175.150MHz	-6.307 dB
3:	167.350MHz	-7.794 dB
4:	161.000MHz	-0.368 dB
5:	181.000MHz	-0.413 dB

### CH2 MARKER LIST

1:	171.000MHz	-2.726 dB
2:	175.150MHz	-5.766 dB
3:	167.350MHz	-5.722 dB
4:	161.000MHz	-32.040 dB
5:	181.000MHz	-25.945 dB