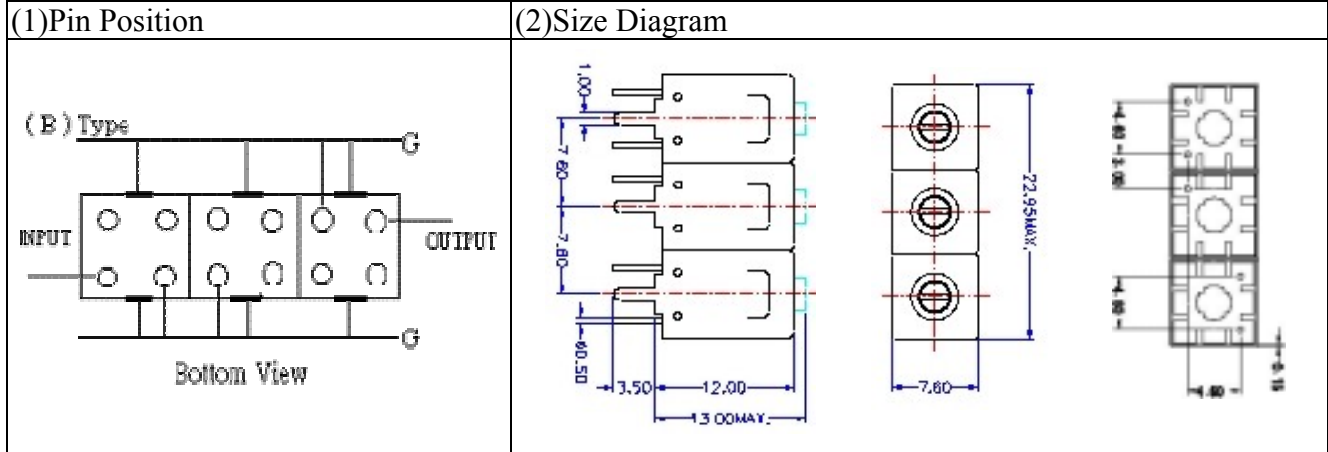


VHF UHF Helical Filter Specification Sheet

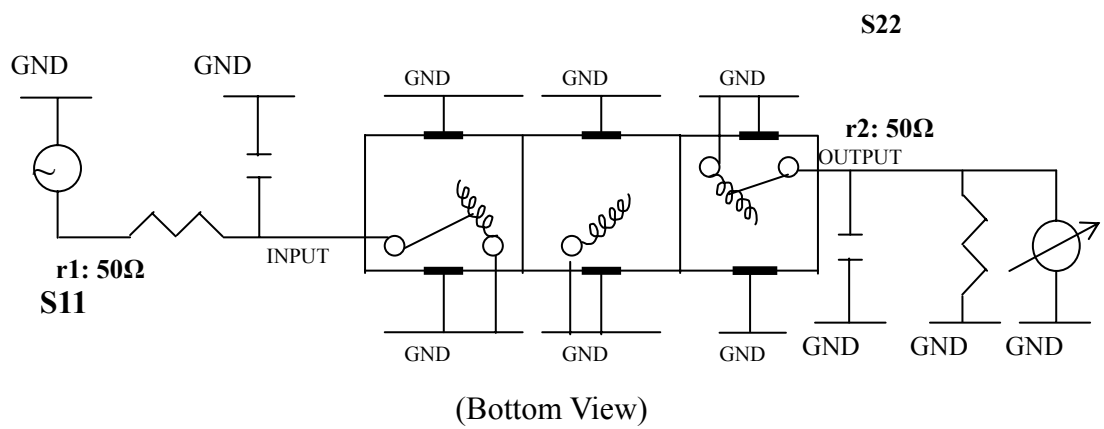
| | | | |
|----------------------|-------------|-----------------------|----------------|
| Customer Name | | Temwell's Part No. | TT67709B-146M |
| Approval No. /dated | 201107070CD | Temwell's Print name. | 67709B 146M |
| Work Instruction No. | 201107070CD | Date | Sep.22.2011 |



(3) Electric Charasteric

| Item | Specify |
|-------------------------------|-----------------------------|
| Center Freq.(Fo) +/- 0.5 % | 146 MHz |
| Insertion Loss | Typ. 3.5 dB |
| -3 dB Bandwidth | Typ. 5 MHz |
| Sensitivity (Attenuation) | Fo - (10) MHz Typ. 28 dBc |
| | Fo + (10) MHz Typ. 22 dBc |
| | Fo - () MHz Typ. dBc |
| | Fo + () MHz Typ. dBc |
| Return Loss | Min. 12 dB |
| Ripple | < 1 dB |
| Impedance | In / Out : 50 Ω |
| (4)Torque for Tuning Screw | > 60gf cm |
| (5)Temperature Condition: | |
| Operating Temperature | 0 ~ +60 |
| Storage Temperature | -20 ~ +70 |
| (6)Input Power | > 1Watt |

(7)Measuring Circuit: Easy to match Impedance S11/S22 50Ωby parallel with about(--) / (--).



| | | | |
|-----------------------|-------------------------|---------------------|------------------------------------------------|
| Approval C.Y.Chang | Supervisor C.K.Chang | Designer F.L.Lai | Aperture size 7H3S(4*6.5)(6.58) 7H024RB4 |
|-----------------------|-------------------------|---------------------|------------------------------------------------|

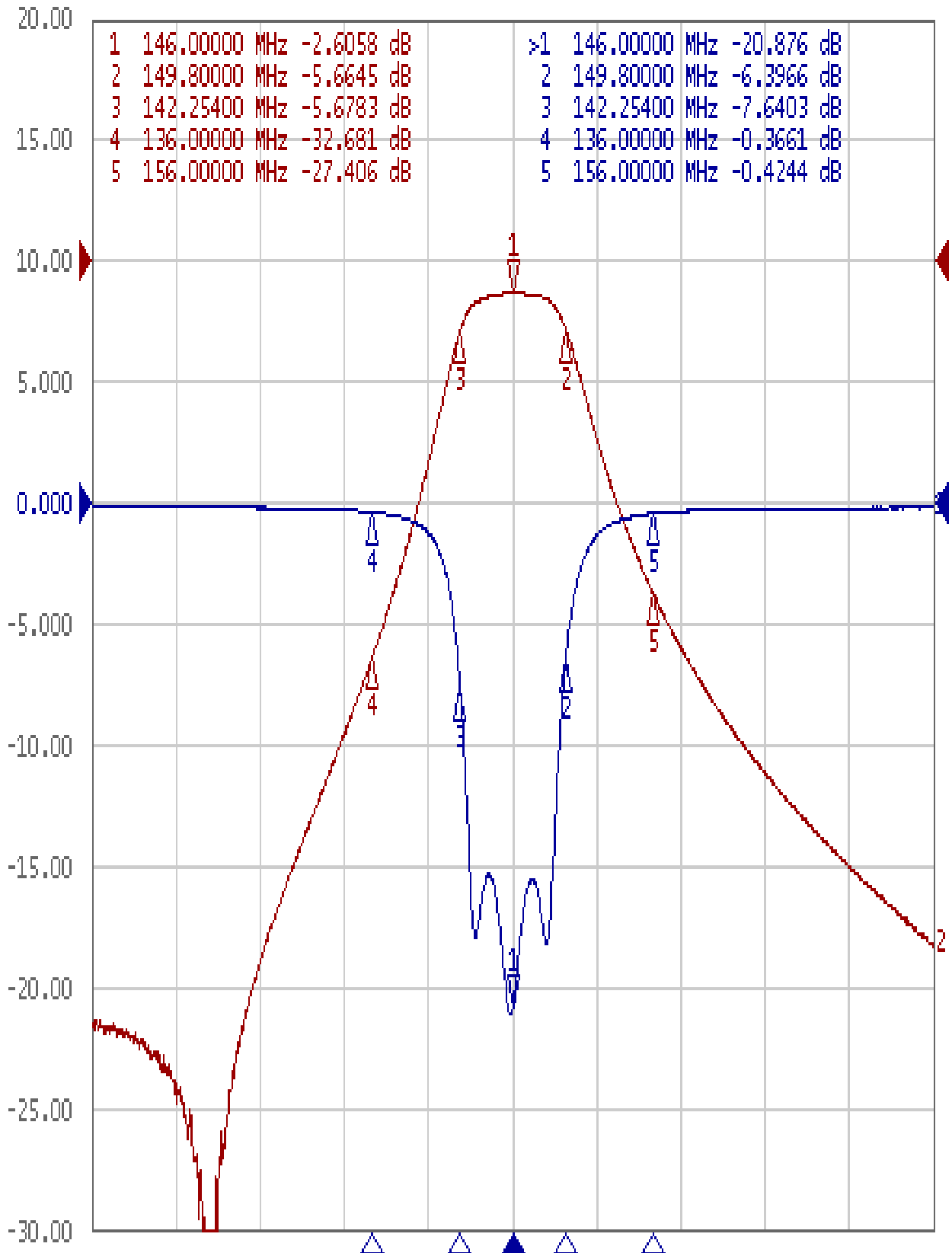
TEMWELL CORPORATION

Performance-TT67709B-146M

201107070CD

Tr1 S11 Log Mag 5.000dB/ Ref 0.000dB [F2]

Tr2 S21 Log Mag 10.00dB/ Ref 0.000dB [F2]



1 Center 146 MHz

IFBW 10 kHz

Span 60 MHz Cor !